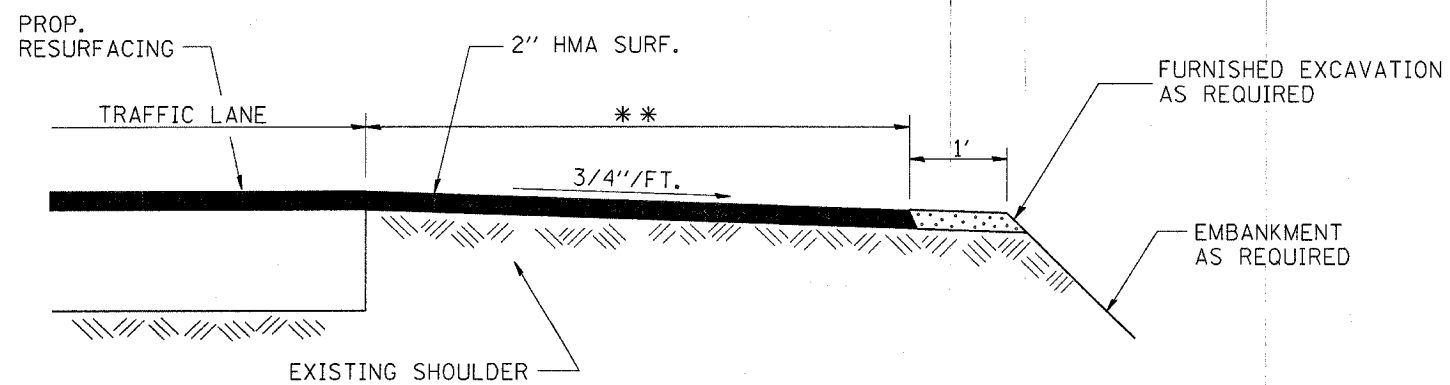
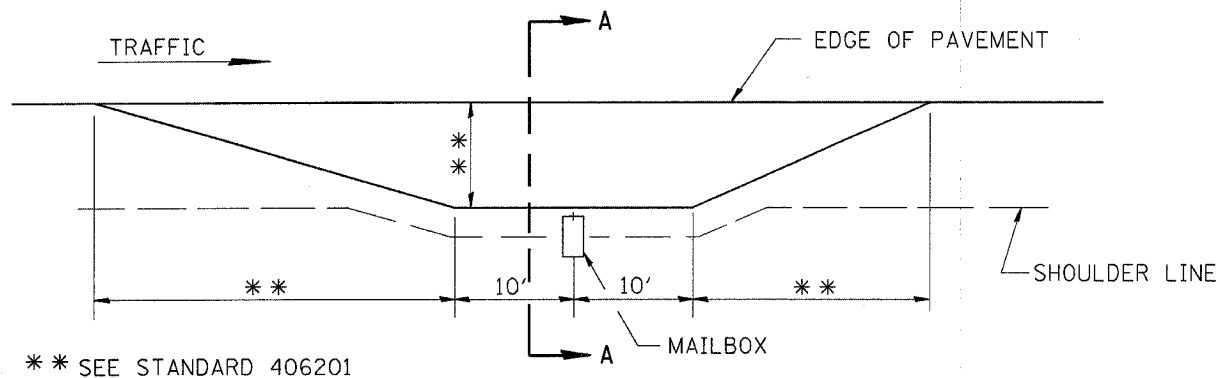
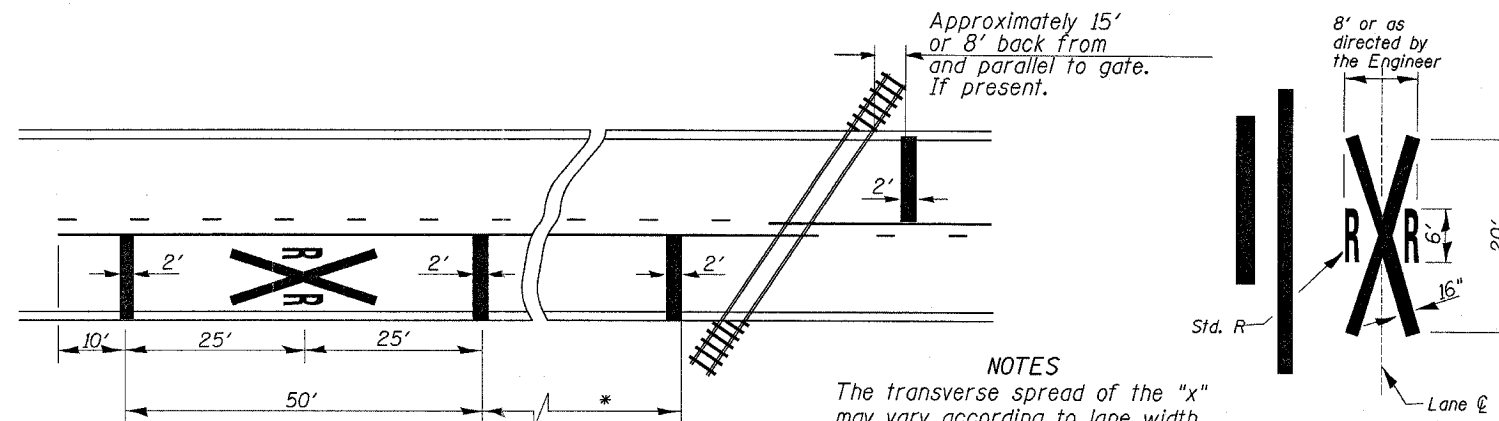


F.A.P. RTE.	SECTION	COUNTY	TOTAL SHEETS	SHEET NO.
786	(109,110,111)RS-3	LASALLE	20	18
STA.		TO STA.		
FED. ROAD DIST. NO.	ILLINOIS	FED. AID PROJECT		



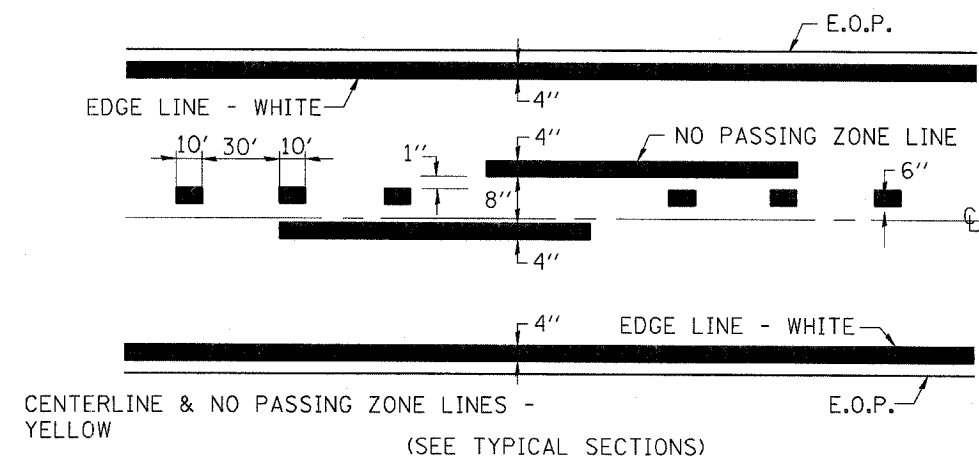
SECTION A-A  
MAILBOX TURNOUT DETAILS



\* Minimum Distance  
400' for 55 MPH  
250' for 45 MPH  
100' for 35 MPH or Less

NOTES  
The transverse spread of the "x" may vary according to lane width.  
On multi-lane roads, the stop lines shall extend across all approach lanes and separate RXR symbols shall be placed adjacent to each other in each lane.

**PAVEMENT MARKINGS AT RAILROAD-HIGHWAY GRADE CROSSING**



**PAVEMENT MARKING**

REVISIONS	
NAME	DATE

ILLINOIS DEPARTMENT OF TRANSPORTATION

**DETAILS**

SCALE: VERT. HORIZ.  
DATE

DRAWN BY  
CHECKED BY

4/12/2007 4:23:52 PM  
d:\p\projects\0603904\detail\is.dgn  
ED03904\DETAILS.DGN