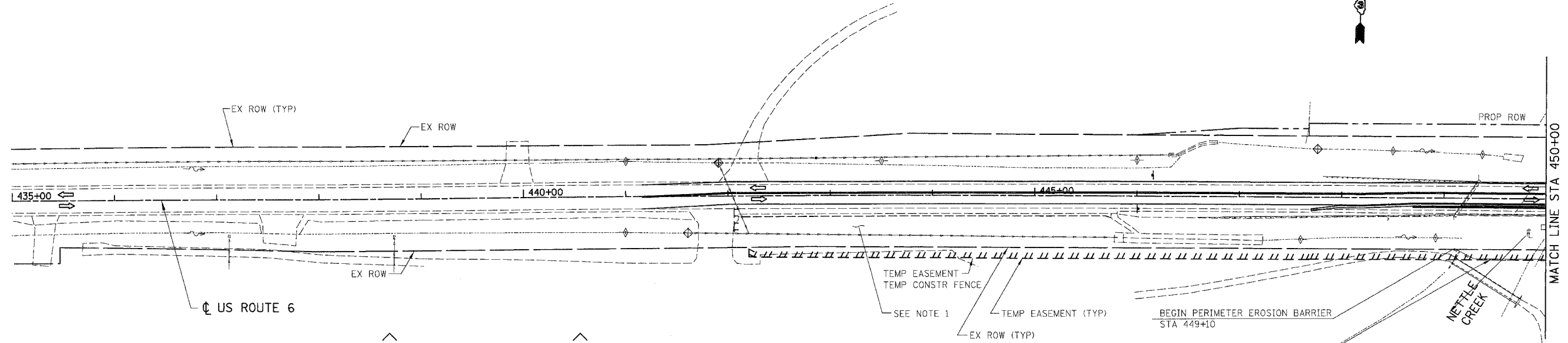
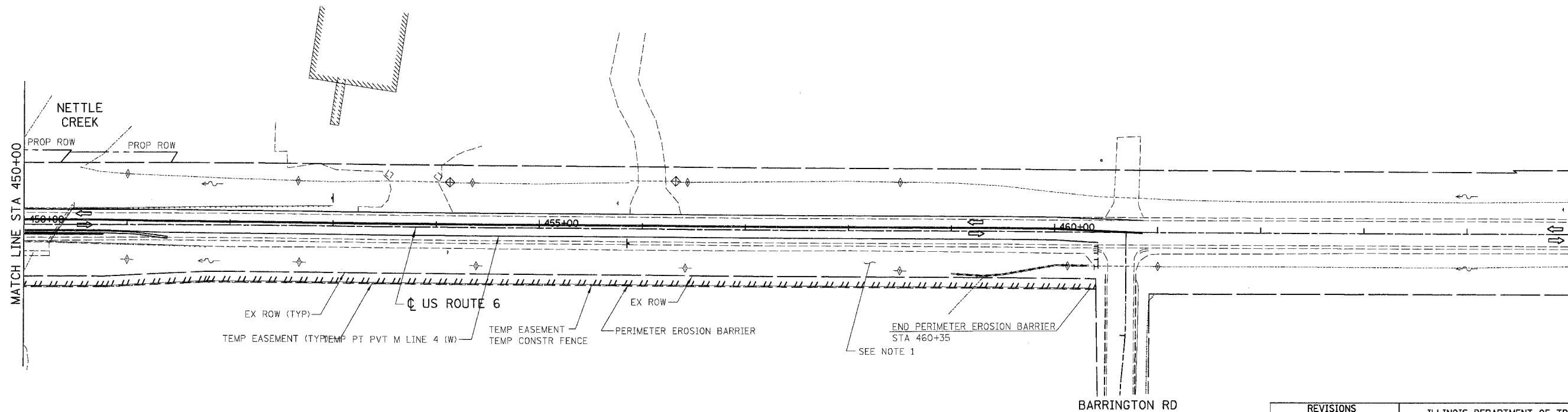


F.A.U. RTE.	SECTION	COUNTY	TOTAL SHEETS	SHEET NO.
5952	0-BR	GRUNDY	86	25
STA.		TO STA.		
FED. ROAD DIST. NO. 7		ILLINOIS FED. AID PROJECT		



THE CONTRACTOR SHALL NOT COMMENCE WITH INSTREAM WORK UNTIL EROSION CONTROL MEASURES ARE IN PLACE AND ACCEPTED BY THE ENGINEER. CHANNEL EXCAVATION, STONE RIPRAP - CLASS 4A, FILTER FABRIC, AND REMOVAL OF EXISTING STRUCTURES MUST BE DONE DURING PERIODS OF LOW STREAM FLOW AND IN THE DRY. THE USE OF SAND BAGS AND DEWATERING MECHANISMS MAY BE REQUIRED. THE CONTRACTOR SHALL SUBMIT A WORK PLAN FOR THESE ITEMS TO THE ENGINEER FOR REVIEW AND APPROVAL PRIOR TO THE START OF THE WORK. COST OF THESE PROVISIONS WILL BE INCLUDED INTO THE VARIOUS ITEMS OF WORK.



NOTES:
 1. 'TEMPORARY EROSION CONTROL SEEDING' WILL BE PLACED ON ALL ERODIBLE EARTH AREAS AS DIRECTED BY THE ENGINEER AS PER THE SPECIFICATIONS.

LEGEND

	INLET AND PIPE PROTECTION
	PERIMETER EROSION BARRIER
	TEMPORARY DITCH CHECK

BARRINGTON RD

BOWMAN, BARRETT & ASSOCIATES INC.
 CONSULTING ENGINEERS
 130 E. RANDOLPH STREET
 CHICAGO, ILLINOIS 60601
 JOB NO. 541



REVISIONS	
NAME	DATE

ILLINOIS DEPARTMENT OF TRANSPORTATION

U.S. ROUTE 6
 EROSION CONTROL PLAN
 STAGE 1

SCALE: VERT. 1" = 50'
 HORIZ. 1" = 50'
 DATE 3/19/07

DRAWN BY RGR
 CHECKED BY DDM