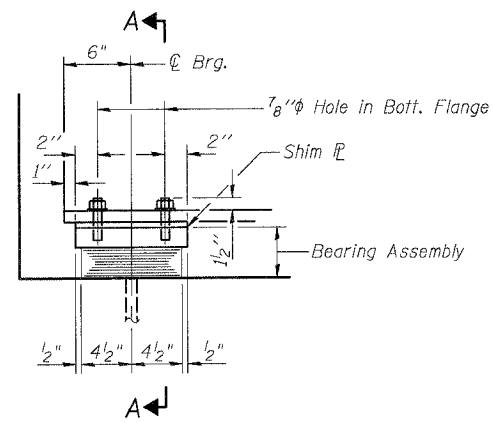


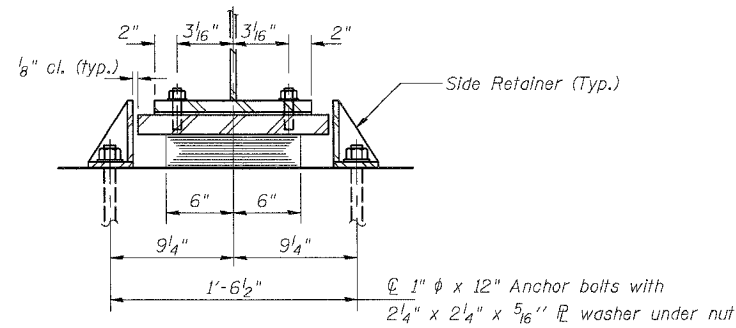
STATE OF ILLINOIS  
DEPARTMENT OF TRANSPORTATION

ROUTE NO.	SECTION	COUNTY	TOTAL SHEETS	SHEET NO.	SHEET NO. S14 OF 526 SHEETS
R. 6. 1.	①	GRUNDY	86	53	
F. A. U. 5952					
FED. ROAD DIST. NO. 7	ILLINOIS	FED. AID PROJECT			

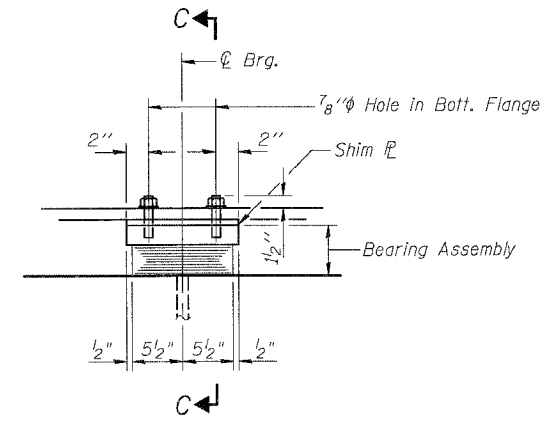
Q-BR



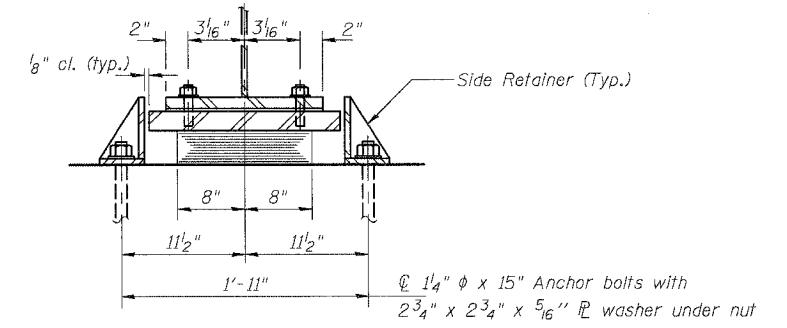
ELEVATION



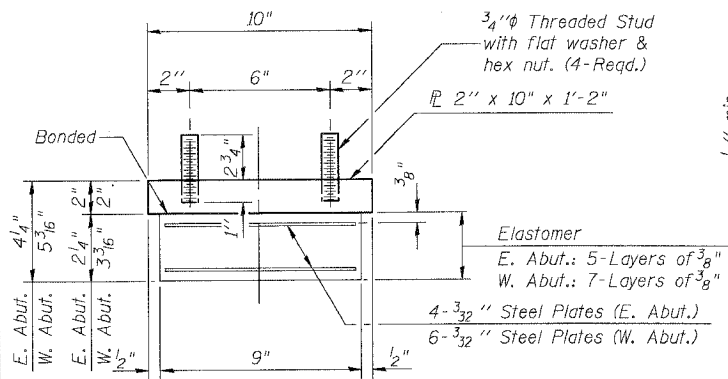
SECTION A-A



ELEVATION

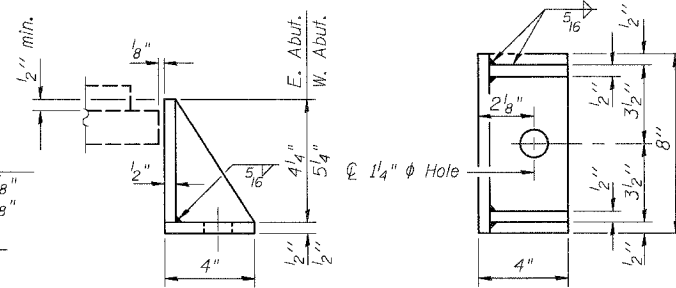


SECTION C-C



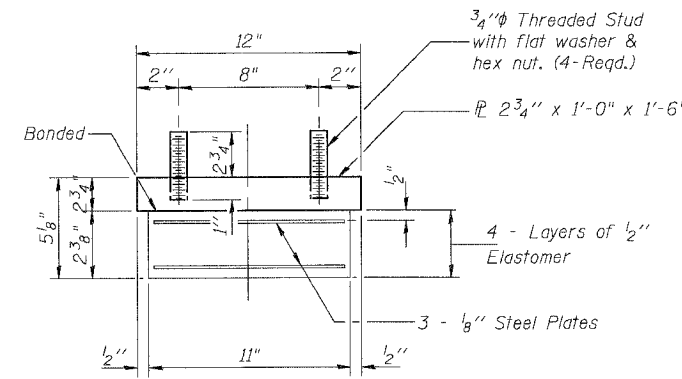
BEARING ASSEMBLY

Note: Shim plates shall not be placed under Bearing Assembly.



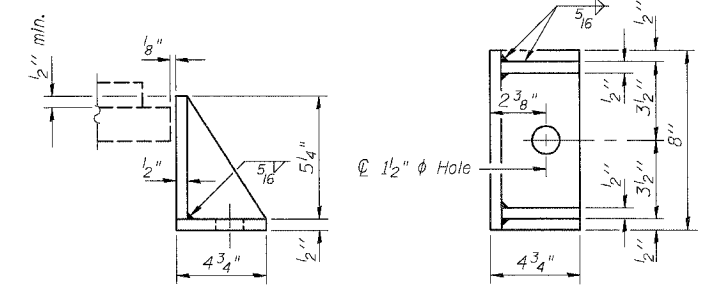
SIDE RETAINER

Equivalent rolled angle with stiffeners will be allowed in lieu of welded plates. Weight included with Structural Steel.



BEARING ASSEMBLY

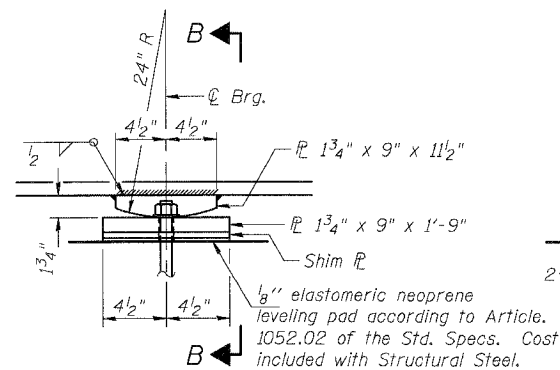
Note: Shim plates shall not be placed under Bearing Assembly.



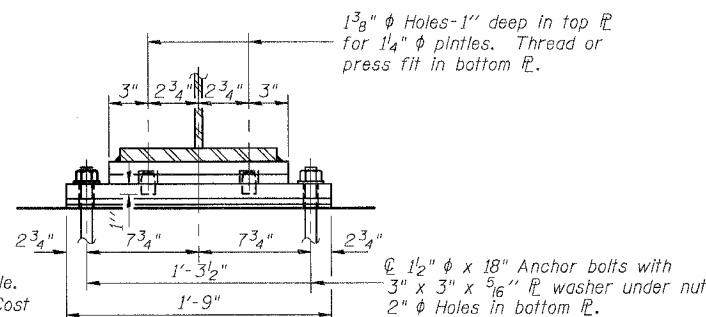
SIDE RETAINER

Equivalent rolled angle with stiffeners will be allowed in lieu of welded plates. Weight included with Structural Steel.

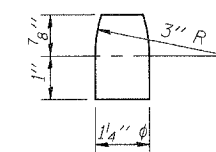
TYPE I ELASTOMERIC EXP. BRG.  
AT EAST & WEST ABUTMENTS



ELEVATION



SECTION B-B



PINTLE

Notes: Anchor bolts at fixed bearings may be built into the masonry. See sheet S15 for Anchor Bolt installation.

BEARING SHIM PLATE THICKNESS TABLE

Location	Beam No.	6
West Abutment		1/8"
Pier 1		1/8"
Pier 2		1/4"
East Abutment		3/8"

BILL OF MATERIAL

Item	Unit	Total
Elastomeric Bearing Assembly, Type I	Each	30

BEARING DETAILS  
U.S. ROUTE 6 OVER  
NETTLE CREEK  
FAU 5952-SEC. Q-BR  
GRUNDY COUNTY  
STATION 449+79.12  
S.N. 032-0107

BOWMAN, BARRETT & ASSOCIATES INC.  
CONSULTING ENGINEERS  
130 E. RANDOLPH STREET  
CHICAGO, ILLINOIS 60601  
JOB NO. 541



DESIGNED	MRM
CHECKED	UM
DRAWN	MRM
CHECKED	BLU

DATE: 9/19/07