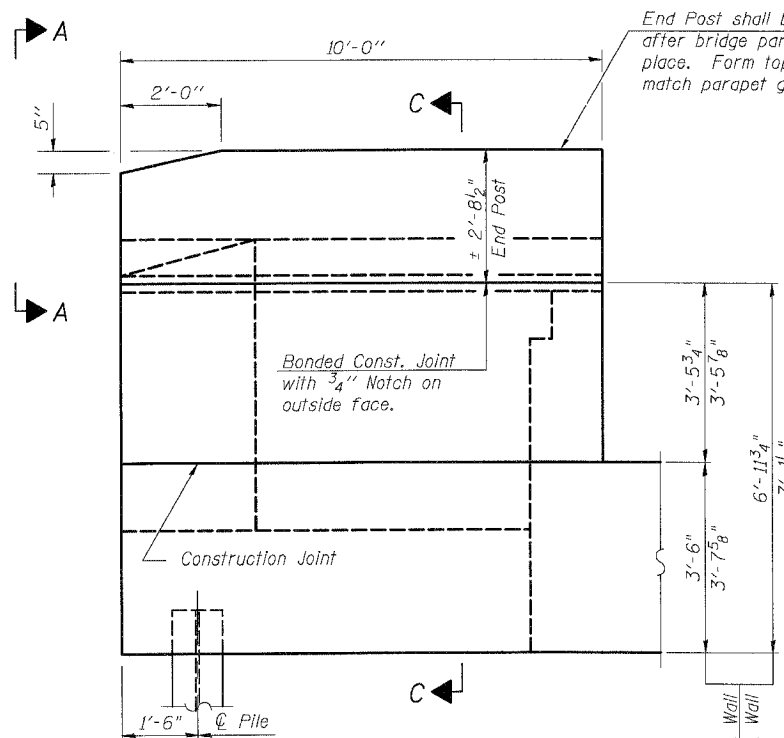


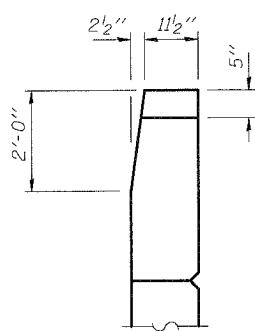
STATE OF ILLINOIS
DEPARTMENT OF TRANSPORTATION

ROUTE NO.	SECTION	COUNTY	SHEETS	SHEET	SHEET NO. S17
S.R.L.	①	GRUNDY	86	56	OF S26 SHEETS
F.A.U. NO.					
FED. ROAD DIST. NO. 7	ILL. PROJ.	FED. AID PROJECT			

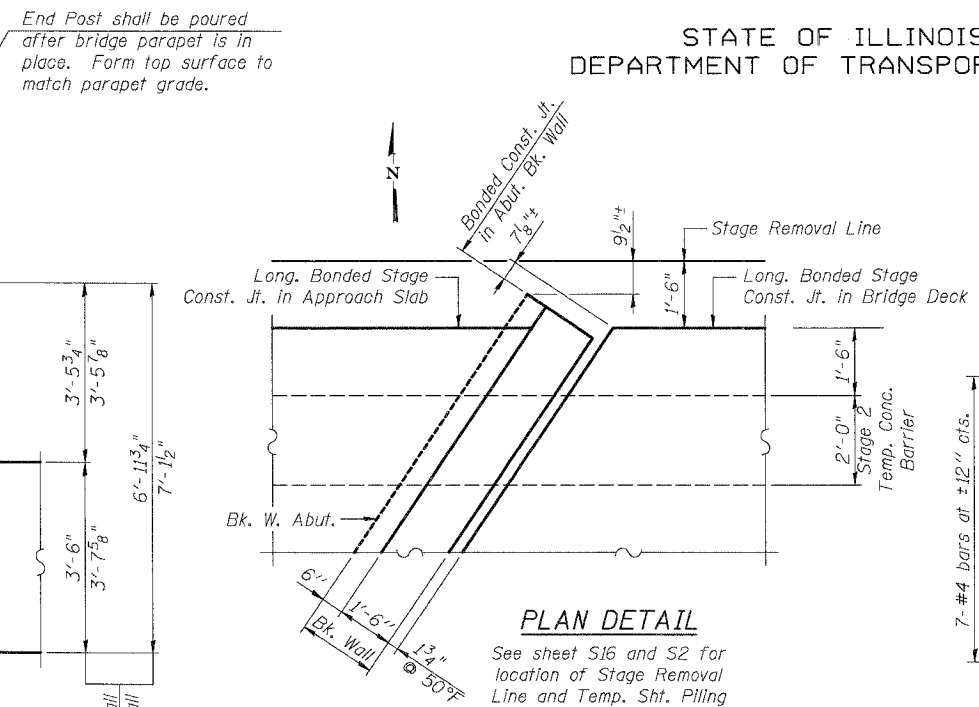
① Q-BR



WING WALL ELEVATION
Showing Dimensions

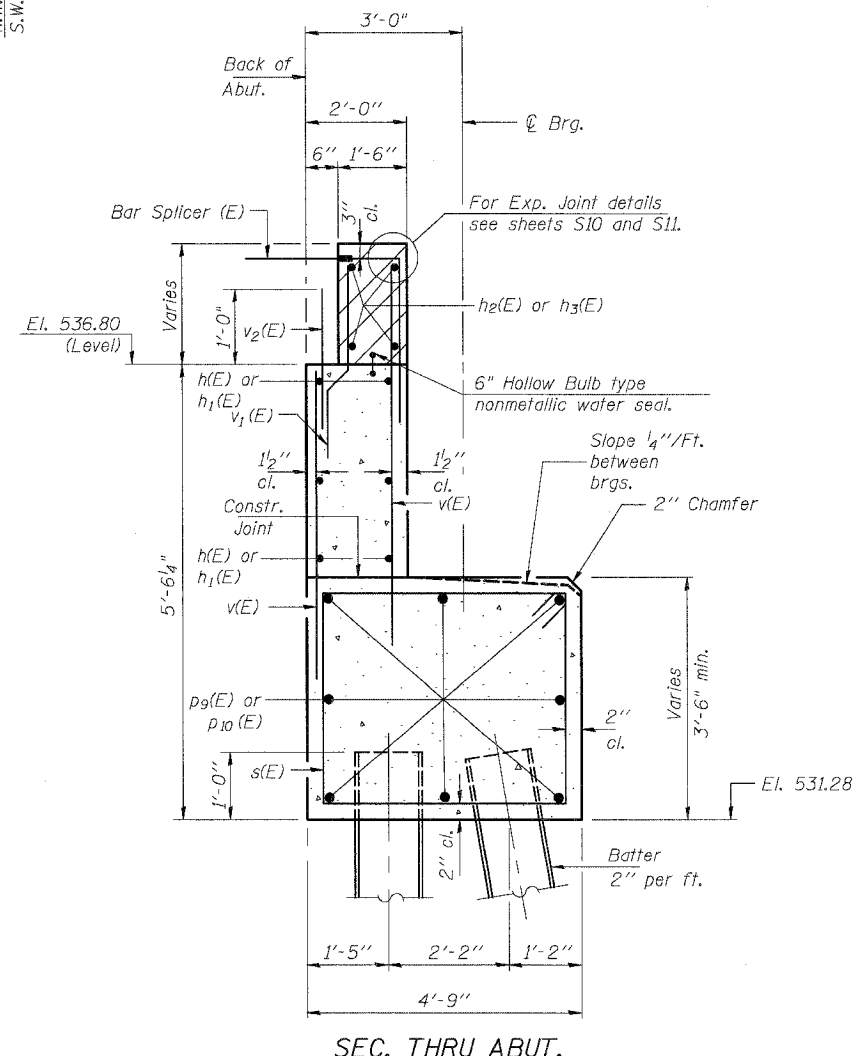


VIEW A-A

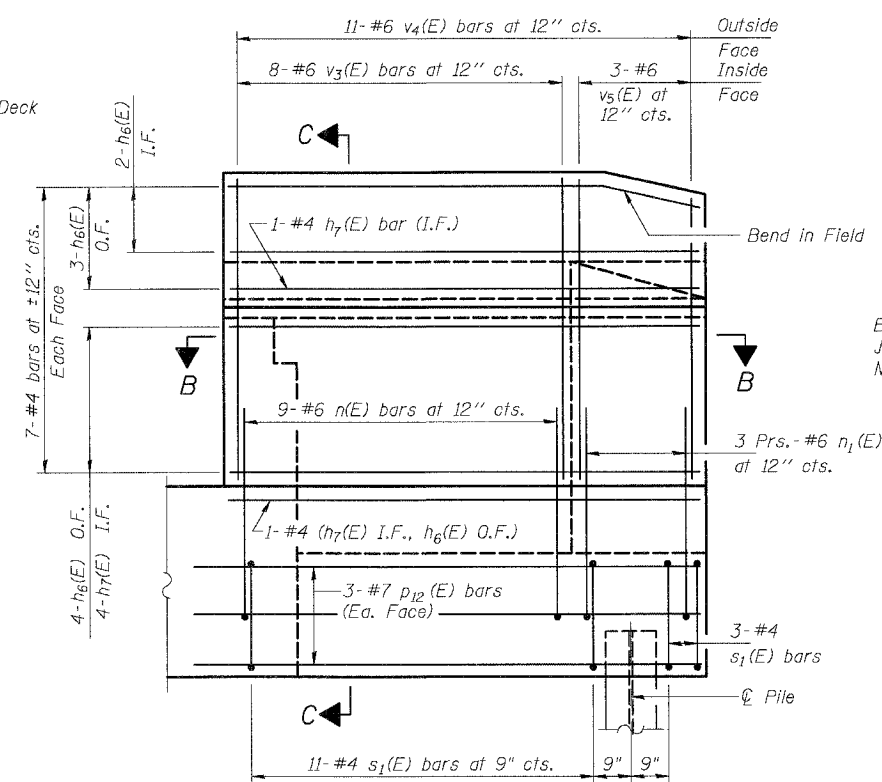


PLAN DETAIL

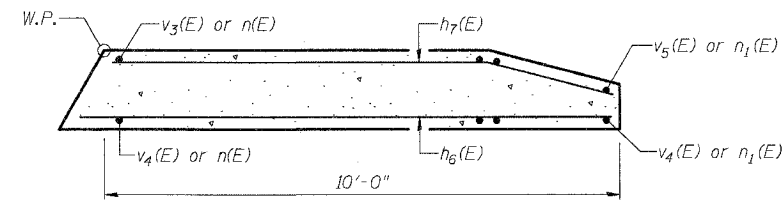
See sheet S16 and S2 for location of Stage Removal Line and Temp. Sht. Piling



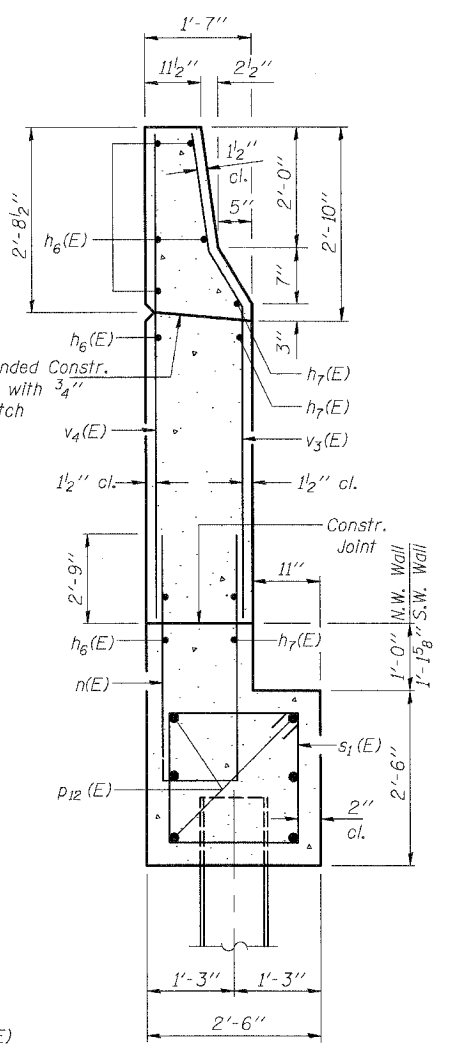
SEC. THRU ABUT.



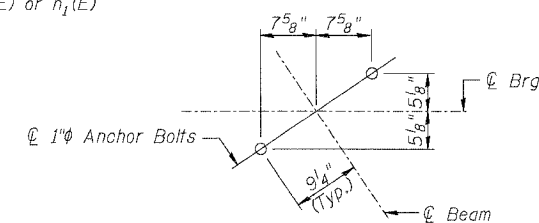
WING WALL ELEVATION
Showing Reinforcement



SEC. B-B



SEC. C-C



DETAIL A

Notes:
Hatched area to be poured after superstructure forms have been removed. Quantity of concrete included with Concrete Superstructure. Reinforcement bars designated (E) shall be epoxy coated. Quantity of concrete in end post included with Concrete Superstructure on sheet S10. Cut bar h6(E) in field to fit.

WEST ABUTMENT DETAILS
U.S. ROUTE 6 OVER
NETTLE CREEK
FAU 5952-SEC. Q-BR
GRUNDY COUNTY
STATION 449+79.12
S.N. 032-0107

BOWMAN, BARRETT & ASSOCIATES INC.
CONSULTING ENGINEERS
130 E. RANDOLPH STREET
CHICAGO, ILLINOIS 60601
JOB NO. 541



DESIGNED	UM
CHECKED	BLU
DRAWN	UM
CHECKED	BLU

DATE: 3/19/07