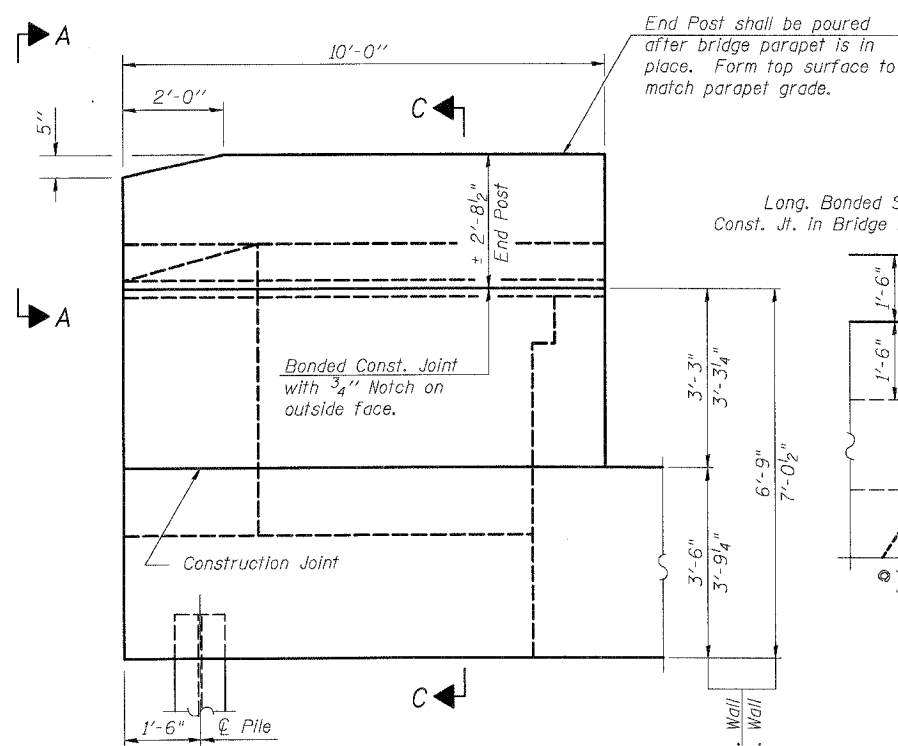


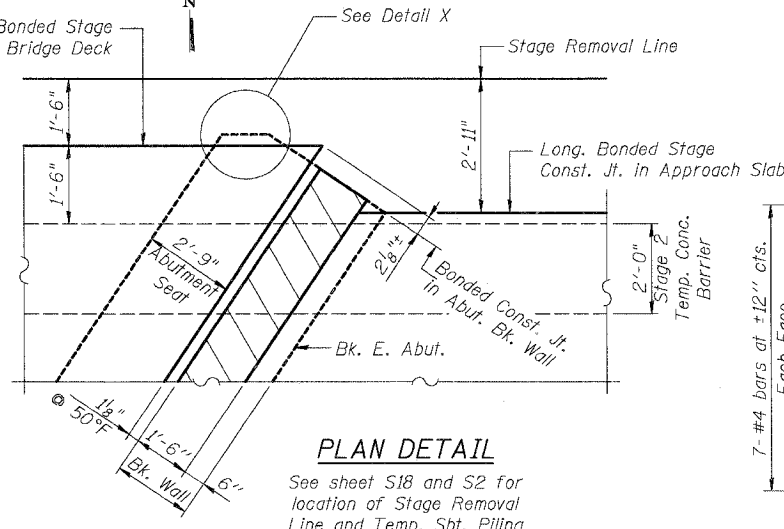
STATE OF ILLINOIS
DEPARTMENT OF TRANSPORTATION

ROUTE NO.	SECTION	COUNTY	TOTAL SHEETS	SHEET NO.	SHEET NO. S19
A.S.L.	①	GRUNDY	86	58	OF 526 SHEETS
F.A.U. 5952					
FED. ROAD DIST. NO. 7	ILLINOIS	FED. AID PROJECT			

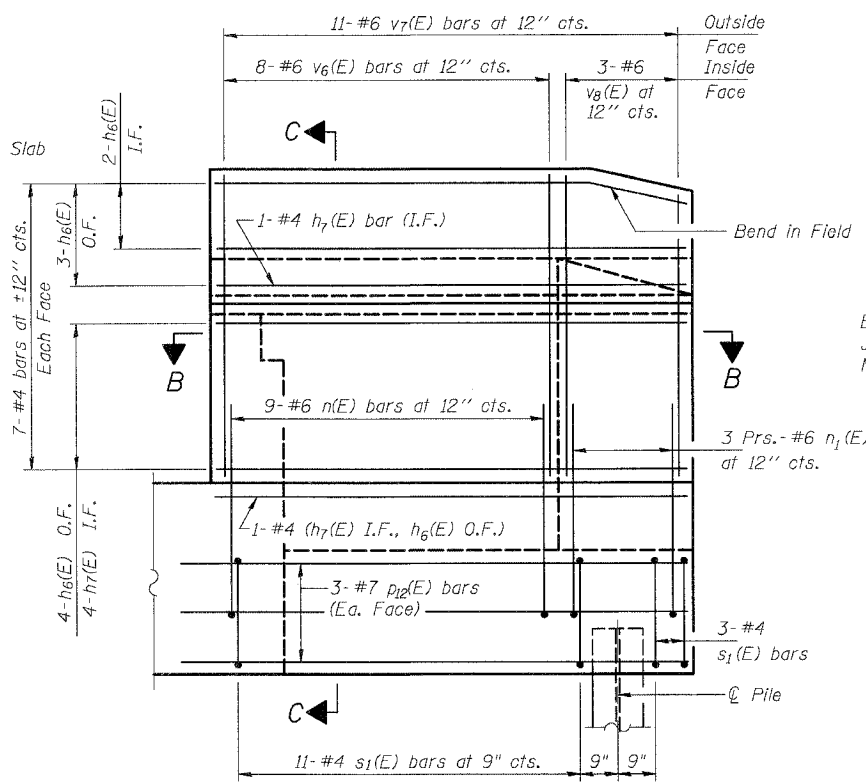
Q-BR



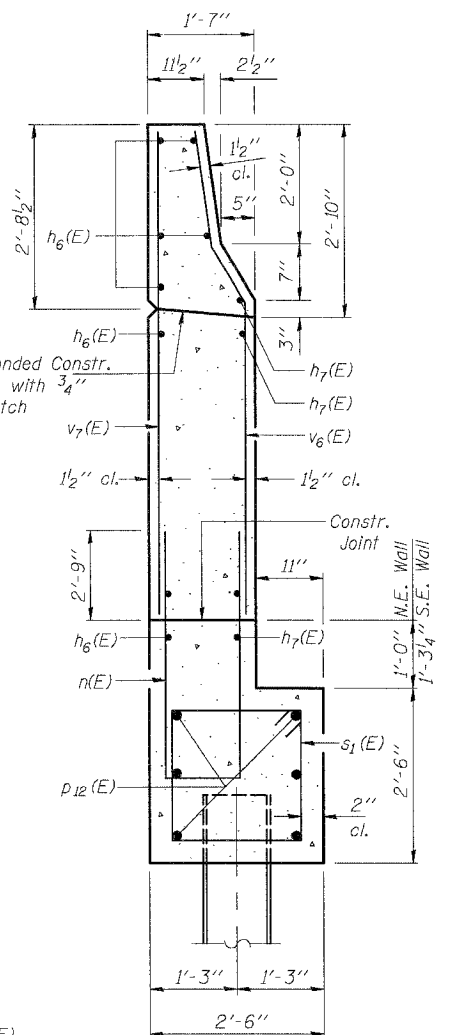
WING WALL ELEVATION
Showing Dimensions



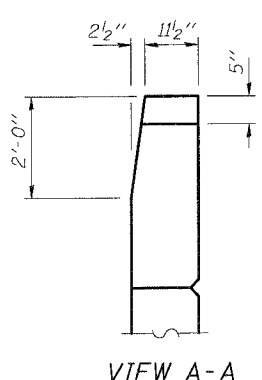
PLAN DETAIL
See sheet S18 and S2 for location of Stage Removal Line and Temp. Sht. Piling



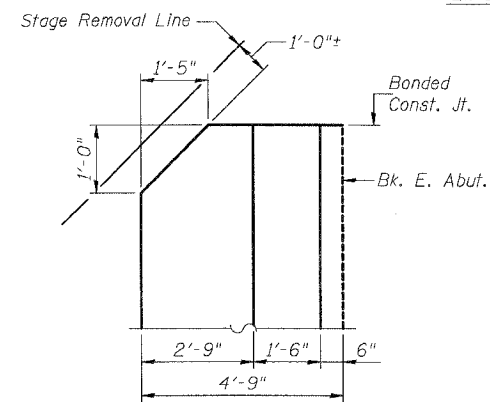
WING WALL ELEVATION
Showing Reinforcement



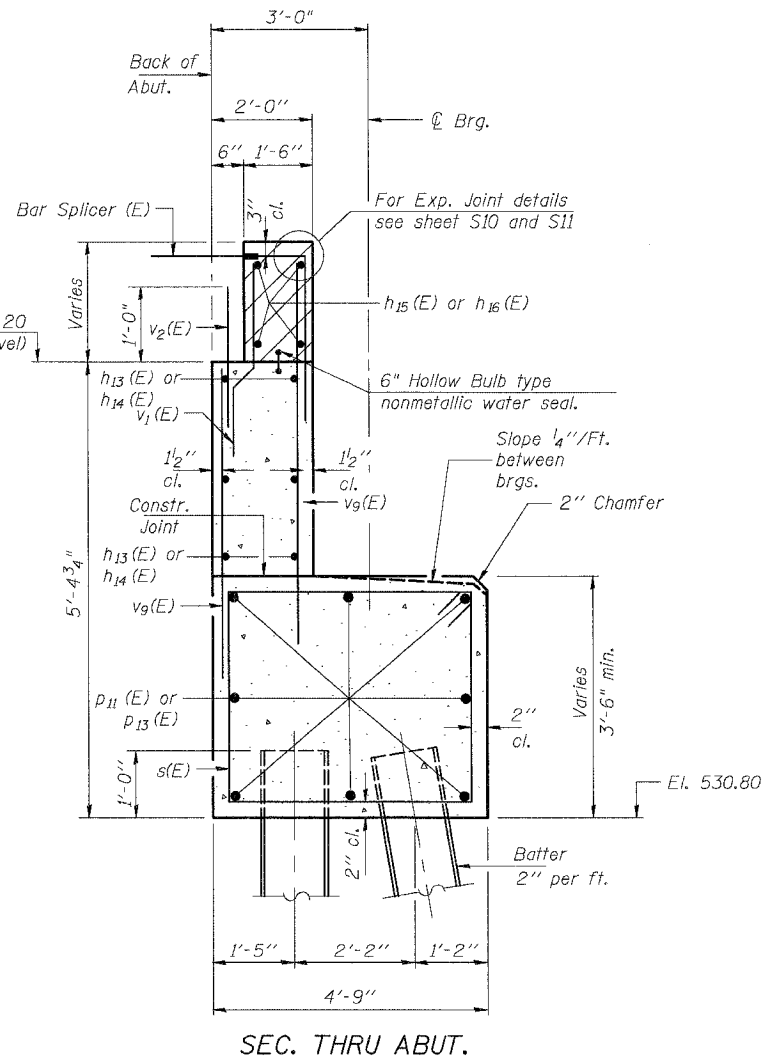
SEC. C-C



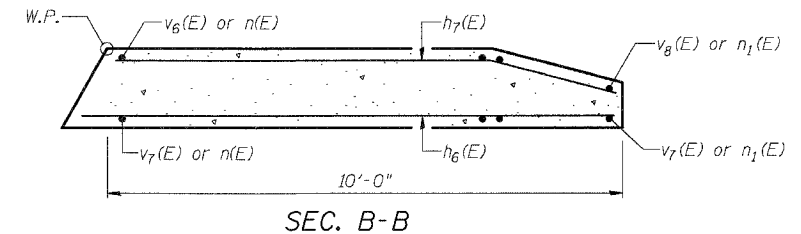
VIEW A-A



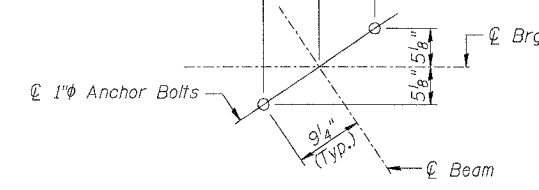
DETAIL X



SEC. THRU ABUT.



SEC. B-B



DETAIL A

Notes:
Hatched area to be poured after superstructure forms have been removed. Quantity of concrete included with Concrete Superstructure. Reinforcement bars designated (E) shall be epoxy coated. Quantity of concrete in end post included with Concrete Superstructure on sheet S10. Cut bar h6(E) in field to fit.

DESIGNED	UM
CHECKED	BLU
DRAWN	UM
CHECKED	BLU

DATE: 3/19/07

BOWMAN, BARRETT & ASSOCIATES INC.
CONSULTING ENGINEERS
130 E. RANDOLPH STREET
CHICAGO, ILLINOIS 60601
JOB NO. 541



EAST ABUTMENT DETAILS
U.S. ROUTE 6 OVER
NETTLE CREEK
FAU 5952-SEC. Q-BR
GRUNDY COUNTY
STATION 449+79.12
S.N. 032-0107

default 3/16/2007 1:37:52 PM m:\541\cadd\bridge\107\ab04.dgn