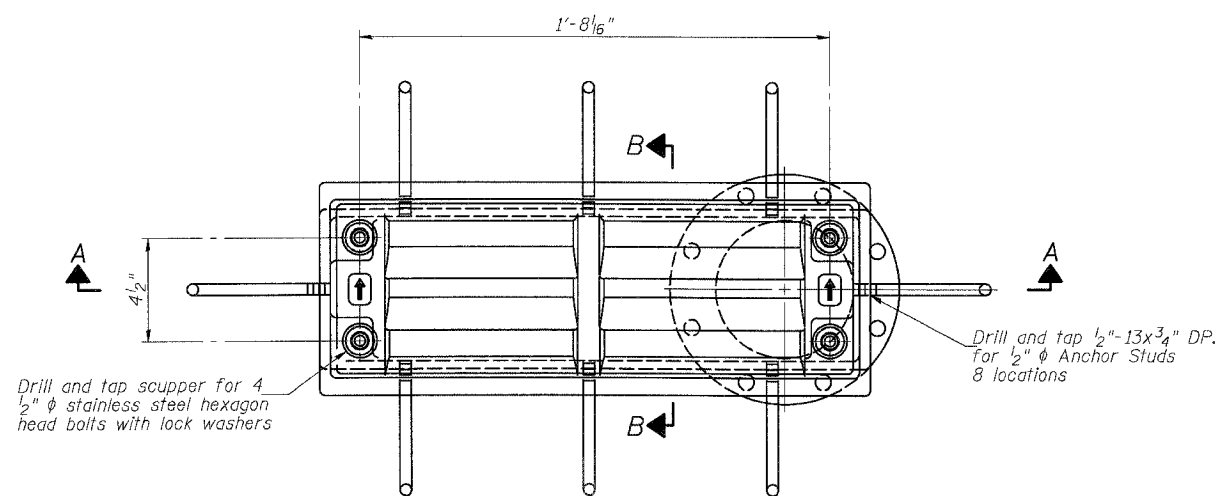


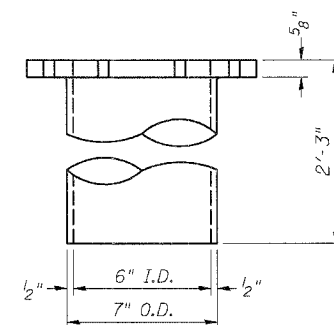
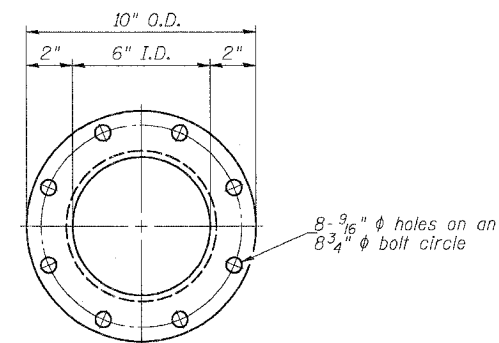
STATE OF ILLINOIS
DEPARTMENT OF TRANSPORTATION

ROUTE NO.	SECTION	COUNTY	TOTAL SHEETS	SHEET NO.	SHEET NO. S24 OF S26 SHEETS
S.B. 1.	①	GRUNDY	86	63	
FED. ROAD DIST. NO. 7	ILLINOIS	FED. AID PROJECT-			

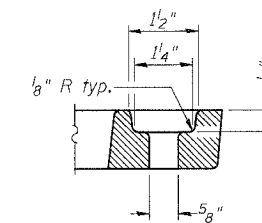
① Q-BR



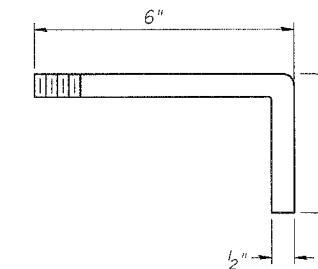
PLAN



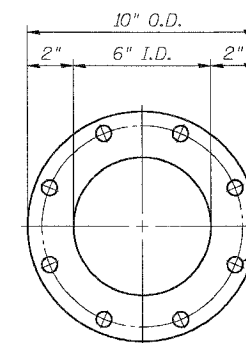
DOWNSPOUT



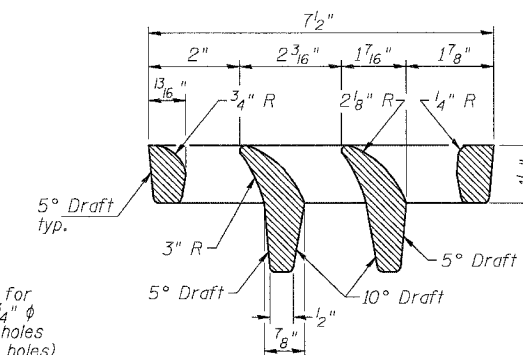
BOLT HOLE DETAIL



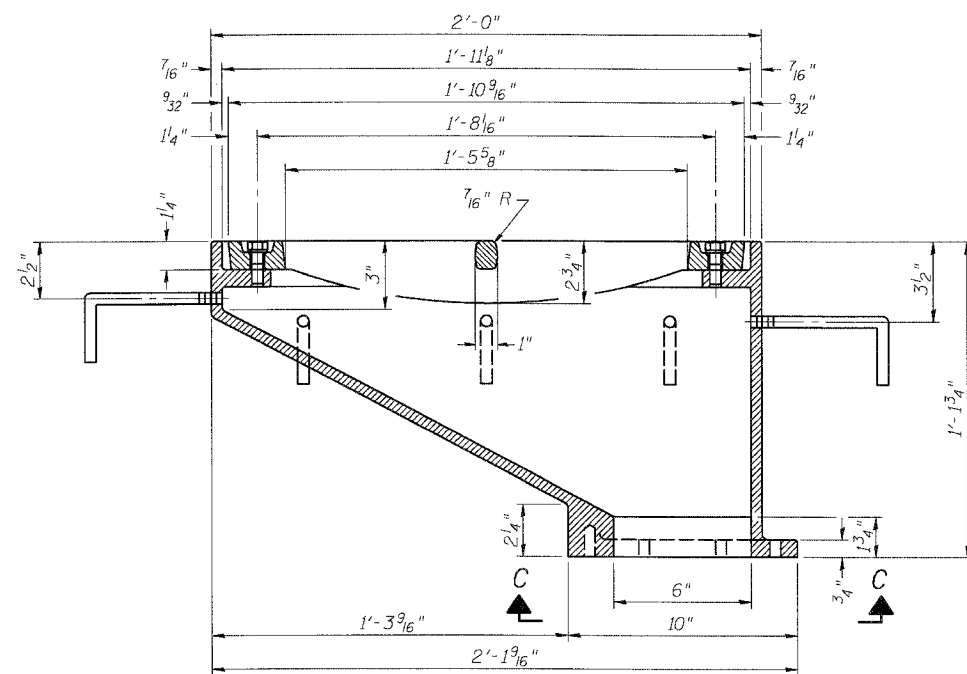
ANCHOR STUD DETAIL



VIEW C-C

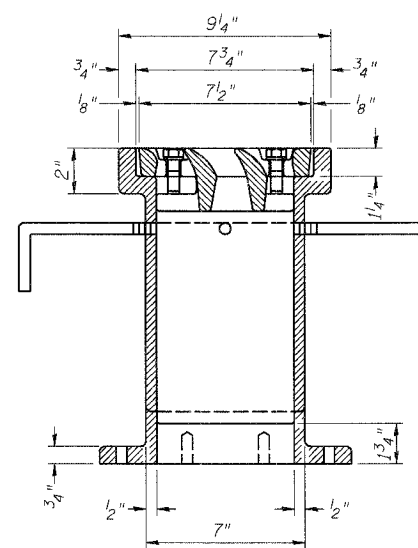


VANE GRATE DETAIL



SECTION A-A

See sheet S9 of S26 for scupper location relative to parapet.



SECTION B-B

Notes: All cast iron parts shall be gray iron conforming to the requirements of AASHTO M 105, Class 35B.
Bolts, anchor studs, washers and nuts shall conform to the requirements of ASTM A 307 and shall be galvanized according to AASHTO M 232.
The grate, frame and downspout shall be galvanized according to AASHTO M 111 and ASTM A 385. Downspouts located on the exterior side of a painted steel fascia beam shall be painted with the finish coat specified for the exterior side of the fascia beam.
As an alternate, bolts, anchor studs, washers and nuts may be stainless steel according to Article 1006.29(d) of the Standard Specifications.
Structural steel weldments of equal sections and of the same configuration may be substituted for cast iron. Fillet or full penetration welds shall be used for the weldments. Details shall be submitted to the Engineer for approval.
The Contractor shall take appropriate measures to assure that Protective Coat is not applied to the scupper.
Cost of the Grate, Frame, Downspout, Anchor Studs, Bolts, Washers and Nuts including complete installation of the scupper shall be paid for at the contract unit price each for Drainage Scupper, DS-12.

BILL OF MATERIAL

ITEM	UNIT	QUANTITY
Drainage Scupper, DS-12	Each	2

DESIGNED	UM
CHECKED	BLU
DRAWN	UM
CHECKED	BLU

8/1/2000

BOWMAN, BARRETT
& ASSOCIATES INC.
CONSULTING ENGINEERS
130 E. RANDOLPH STREET
CHICAGO, ILLINOIS 60601
JOB NO. 541



DRAINAGE SCUPPER, DS-12
U.S. ROUTE 6 OVER
NETTLE CREEK
FAU 5952-SEC. Q-BR
GRUNDY COUNTY
STATION 449+79.12
S.N. 032-0107