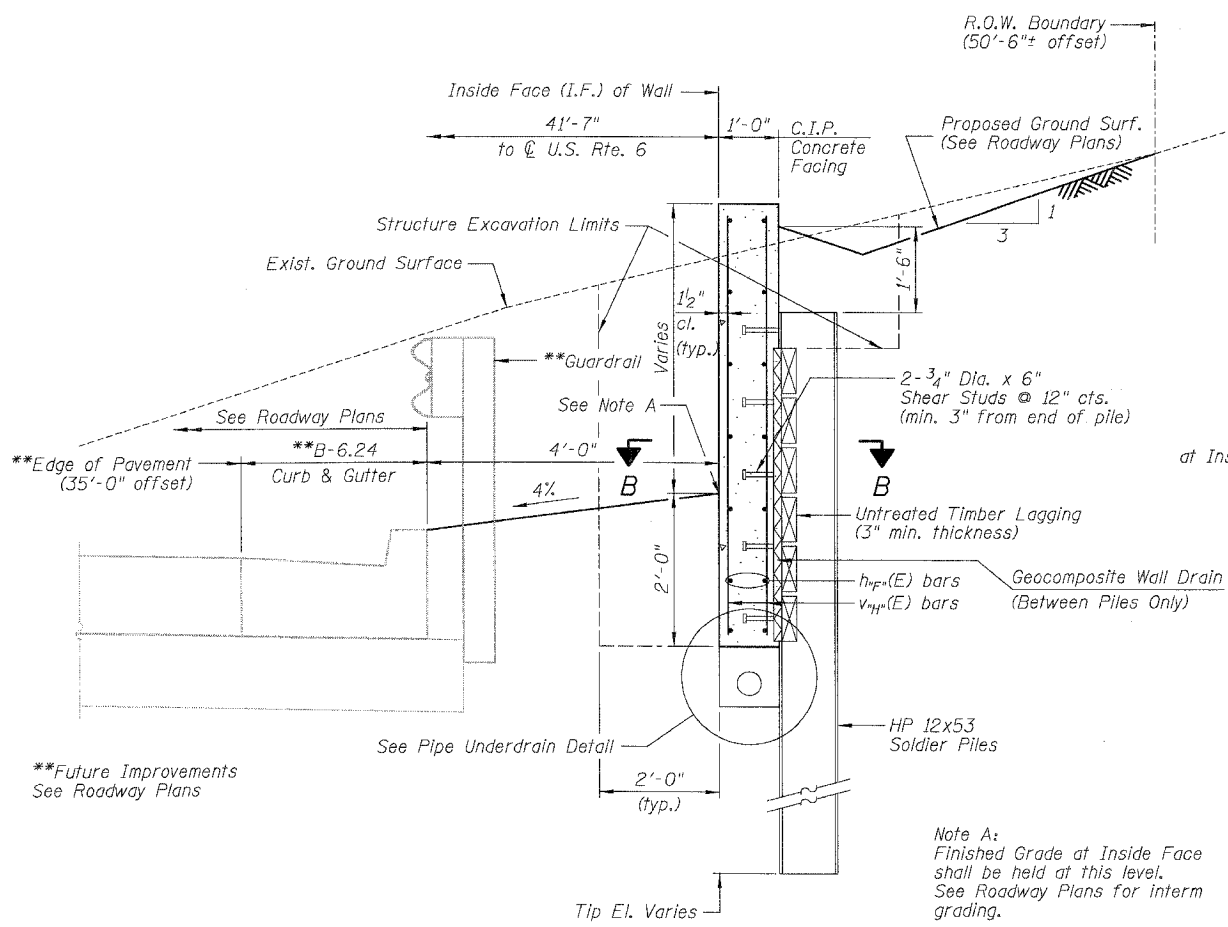


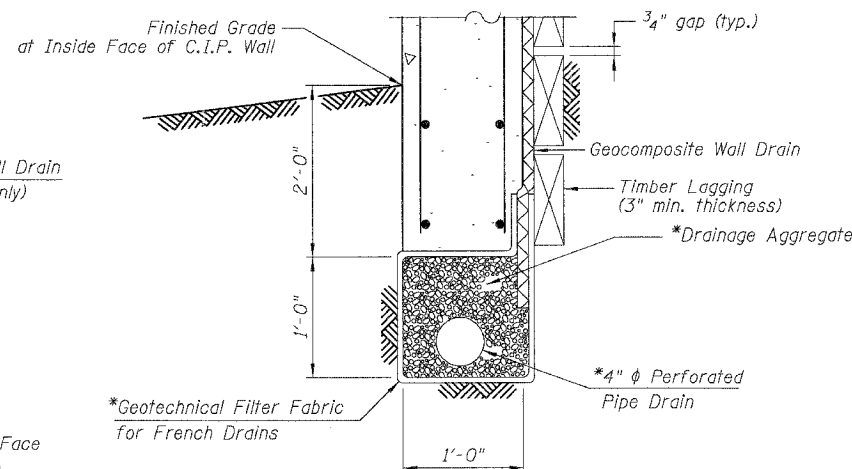
STATE OF ILLINOIS  
DEPARTMENT OF TRANSPORTATION

ROUTE NO.	SECTION	COUNTY	TOTAL SHEETS	SHEET NO.	SHEET NO. S2
66594	Q	GRUNDY	86	67	OF 54 SHEETS
FED. ROAD DIST. NO. 7		ILLINOIS	FED. AID PROJECT		

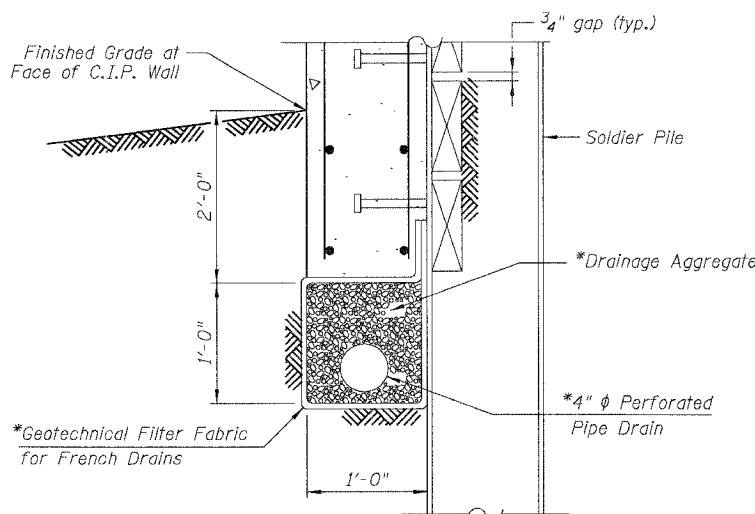
Q-BR



SECTION A-A



BETWEEN SOLDIER PILES



AT SOLDIER PILES

PIPE UNDERDRAIN DETAIL

\*Cost included with "Pipe Underdrains for Structures 4"

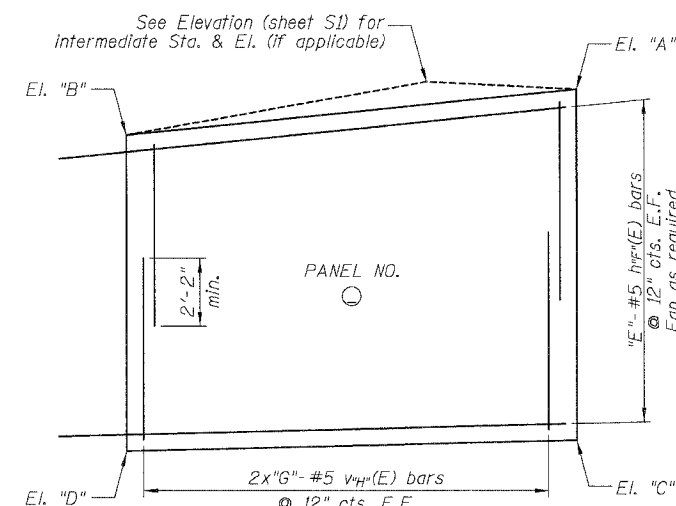
BILL OF BARS

Bar	No.	Size	Length	Shape
$h_{10}(E)$	76	#5	32'-2"	—
$h_{11}(E)$	26	#5	28'-8"	—
$h_{12}(E)$	12	#5	19'-8"	—
$v_{10}(E)$	124	#5	2'-10"	—
$v_{11}(E)$	208	#5	3'-3"	—
$v_{12}(E)$	372	#5	3'-9"	—
$v_{13}(E)$	372	#5	3'-11"	—

Reinforcement bars designated (E) shall be epoxy coated

MIN. BAR LAP

#5 2'-2"



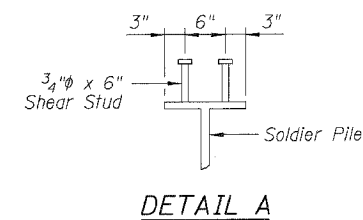
REINFORCEMENT DETAILS  
TABLE OF PANEL DIMENSIONS

PANEL NO.	"A"	"B"	"C"	"D"	"E"	"F"	"G"	"H"
A	550.96	550.85	547.72	547.03	5	10	31	10
B	550.85	550.74	547.03	546.27	5	10	31	11
C	550.74	550.64	546.27	545.43	6	11	31	12
D	550.64	550.10	545.43	544.52	7	10	31	12
E	550.10	549.35	544.52	543.56	7	10	31	13
F	549.35	548.60	543.56	542.61	7	11	31	13
G	548.60	547.36	542.61	541.71	7	10	31	13
H	547.36	545.70	541.71	540.90	7	10	31	12
I	545.70	544.03	540.90	540.40	6	12	21	11

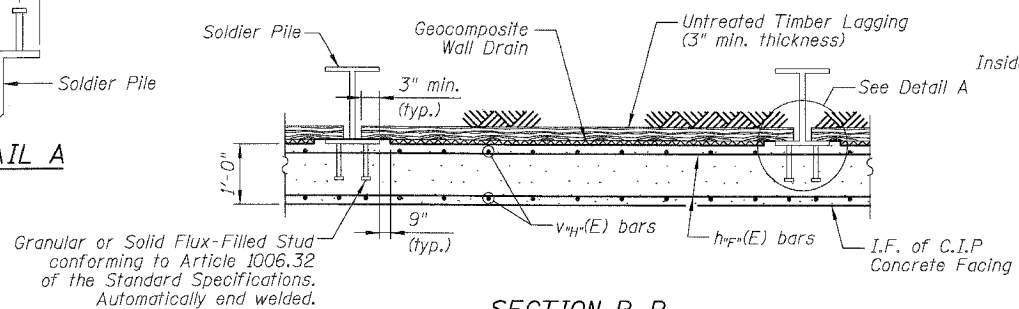
WALL DETAILS  
RETAINING WALL #1

U.S. ROUTE 6  
STA 442+85 TO STA. 445+45  
FAU 5952-SEC. Q-BR  
GRUNDY COUNTY

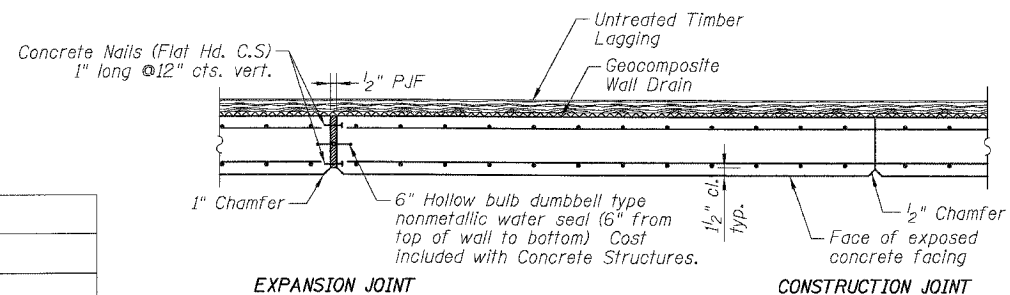
BOWMAN, BARRETT & ASSOCIATES INC.  
CONSULTING ENGINEERS  
130 E. RANDOLPH STREET  
CHICAGO, ILLINOIS 60601  
JOB NO. 541



DETAIL A



SECTION B-B



RETAINING WALL JOINT DETAILS

Cost of P.J.F. and Water Seal included with "Concrete Structures"

DESIGNED	BLU
CHECKED	MRM
DRAWN	MRM
CHECKED	BLU

DATE: 3/19/07