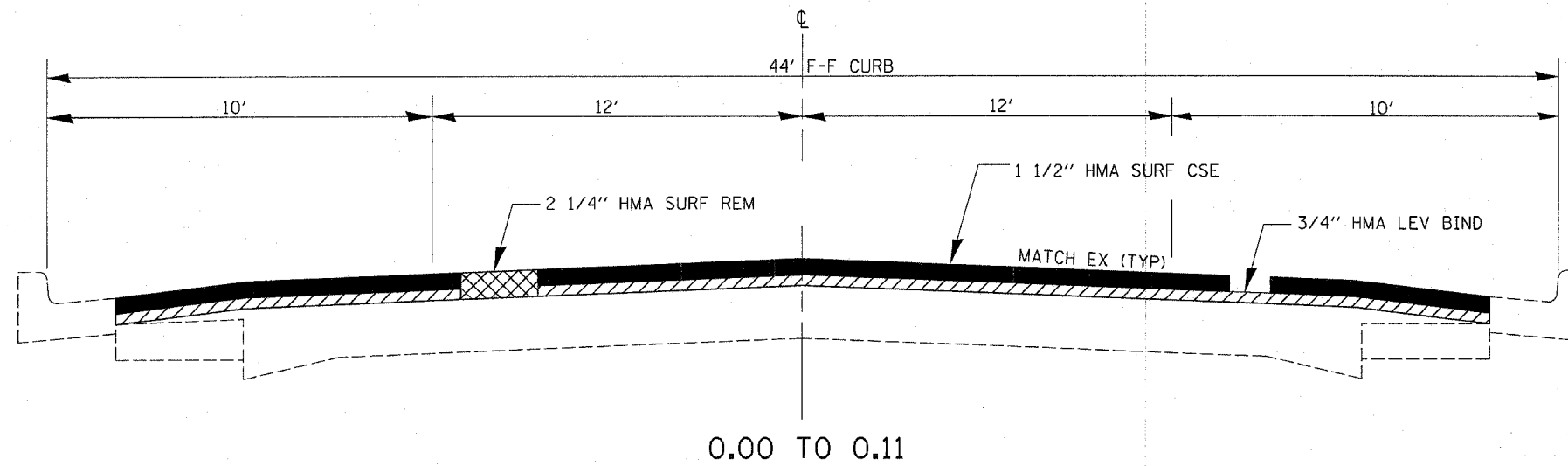
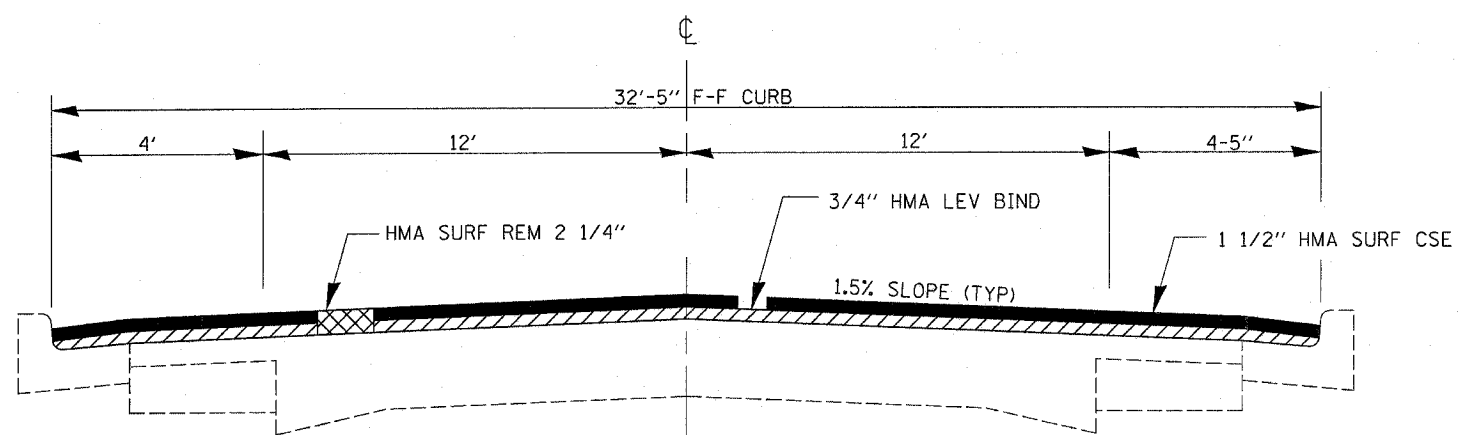


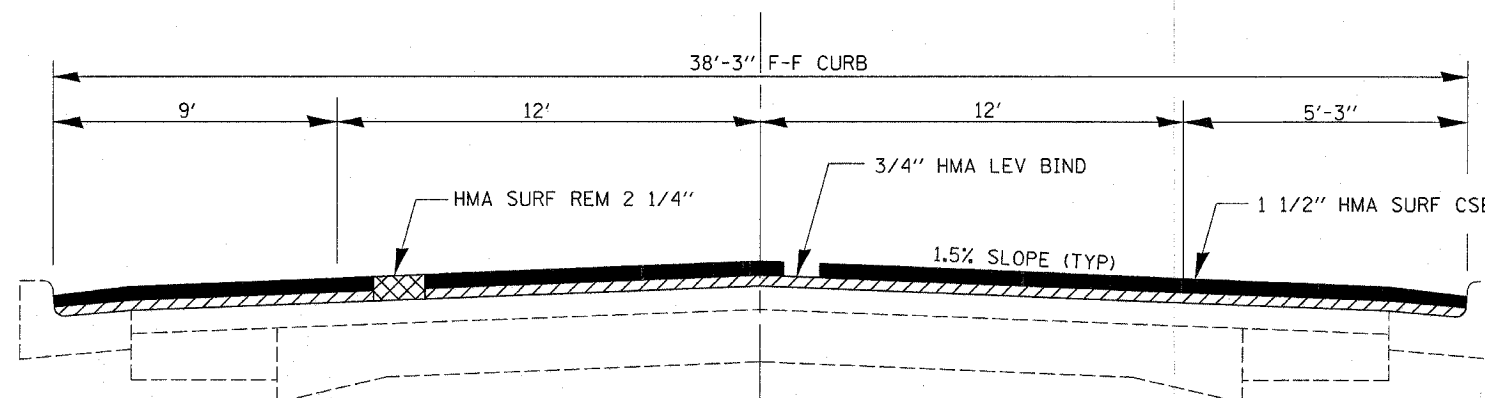
FAU RTE	SECTION	COUNTY	TOTAL SHEETS	SHEET NO.
5645	(116,117)RS-3	BUREAU	10	4
FED. ROAD DIST. NO.		ILLINOIS	FED. AID PROJECT	



0.00 TO 0.11



0.11 TO 0.55



0.55 TO 0.61

	HMA SURFACE	HMA LEVELING BINDER
PG GRADE	PG 64-22	PG 64-22
MAX % RAP ALLOWABLE**	10%***	15%***
DESIGN AIR VOIDS	4% @ N70	4% @ N70
MIXTURE COMPOSITION	IL 12.5 OR IL 9.5	IL 9.5
FRICTION AGGREGATE	MIXTURE D	-
DENSITY CONTROL LIMITS	CORRELATION	SATISFACTION OF ENGINEER

** IF RAP OPTION IS SELECTED, THE ASPHALT CEMENT GRADE MAY NEED TO BE ADJUSTED. THIS WILL BE DETERMINED BY THE ENGINEER.

***IF 3/8\"/>