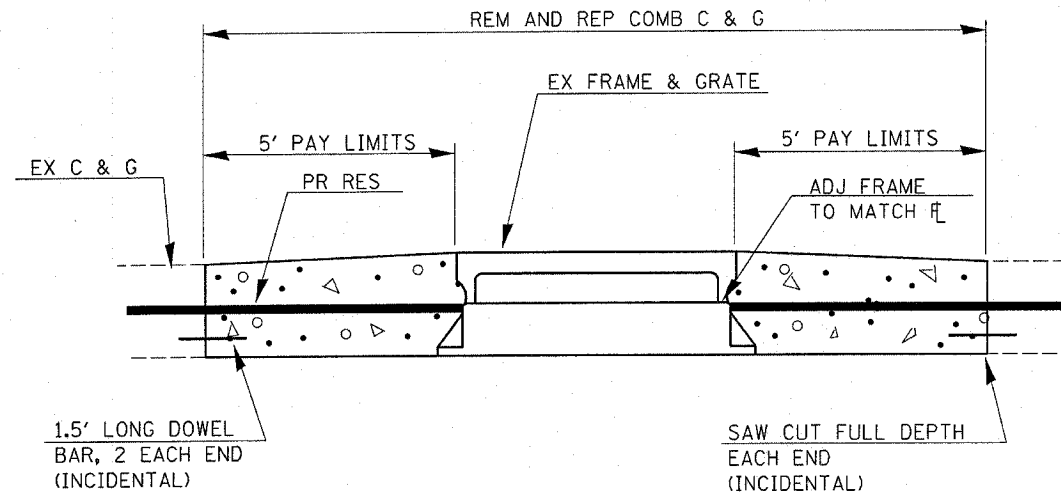
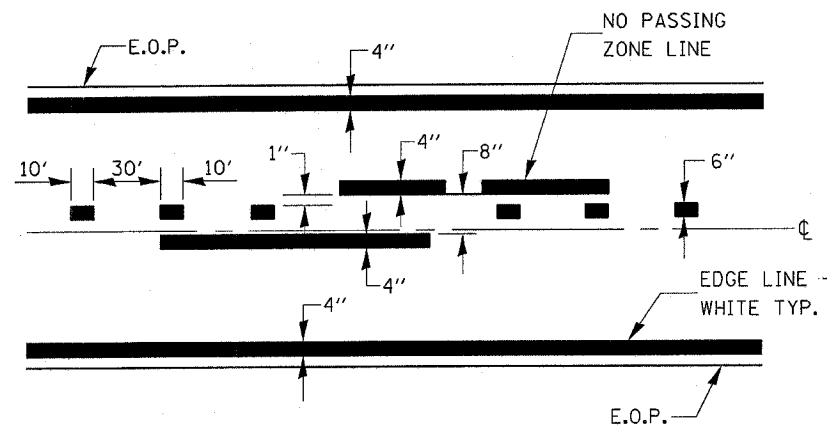


FAU RTE	SECTION	COUNTY	TOTAL SHEETS	SHEET NO.
5645	016,117RS-3	BUREAU	10	10
FED. ROAD DIST. NO. ILLINOIS FED. AID PROJECT				



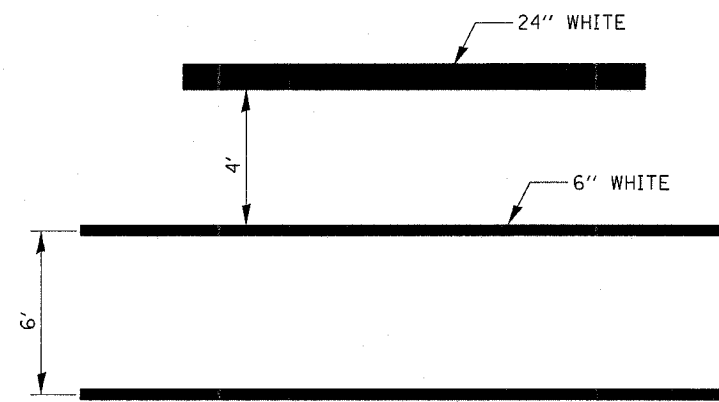
INLET ADJUST



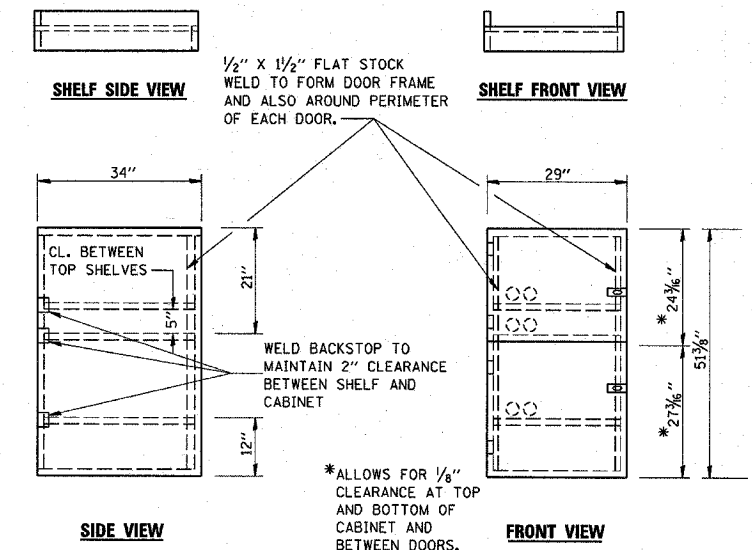
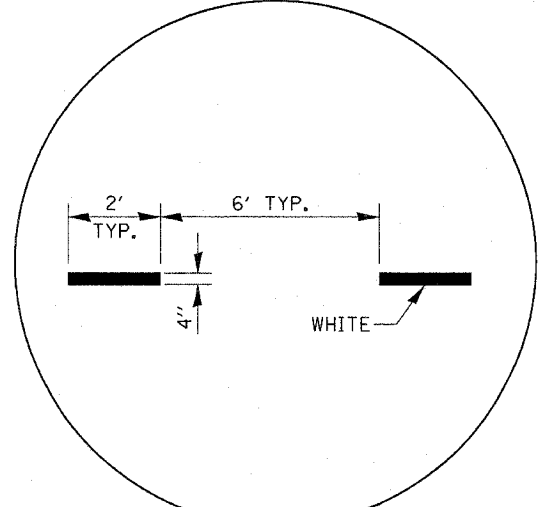
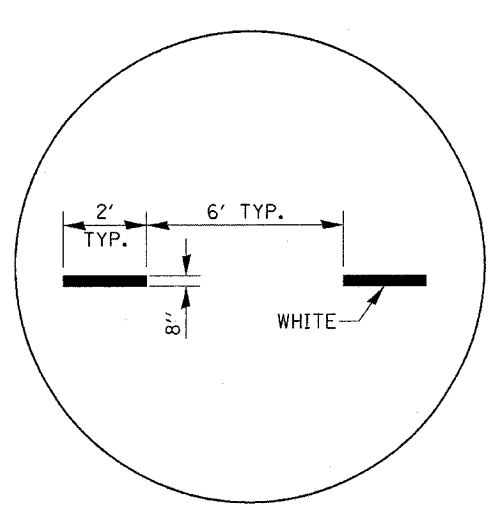
CENTERLIN & NO PASSING ZONE LINES - YELLOW

(SEE TYPICAL SECTIONS)

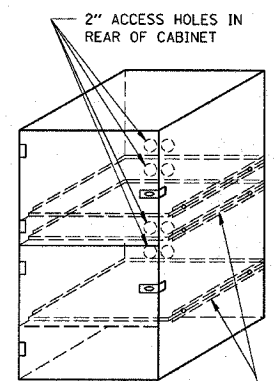
PAVEMENT MARKING



TYPICAL SPACING DETAIL FOR CROSSWALKS AND STOP BARS



- NOTES:
1. USE 16 GAUGE STEEL FOR CABINET.
 2. THE TOP SHELF SHALL SLIDE IN OR OUT WITH THE TOP DOOR OPEN.
 3. ALL HINGES AND HASPS WILL BE WELDED TO THE CABINET.
 4. ALL EDGES SHALL BE GROUND SMOOTH.
 5. TWO (2" DIA.) ACCESS HOLES WILL BE REQUIRED FOR EACH SHELF.
 6. CABINET SHALL BE PAINTED WITH TWO COATS OF FLAT PAINT.
 7. 2 EACH MATCHING KEY PADLOCKS, WITH 3 KEYS PROVIDED, MASTER MODEL 3 T OR EQUIVALENT.
 8. 4 EACH PLAIN STEEL, NON-REMOVABLE PIN, NO HOLE 4"X4" SQUARE CORNER HINGES TO BE WELDED ON.
 9. 2 EACH EXTRA HEAVY, PLAIN STEEL, FIXED STAPLE, NO HOLE, 7 1/4" HASPS TO BE WELDED ON.



FLAT STOCK DIMENSIONS VARY DEPENDING ON TYPE OF ROLLER ASSEMBLY.

LOCKABLE COMPUTER CABINET

3/23/2007 11:46:22 AM
c:\projects\ed05606\detail1.s.dgn