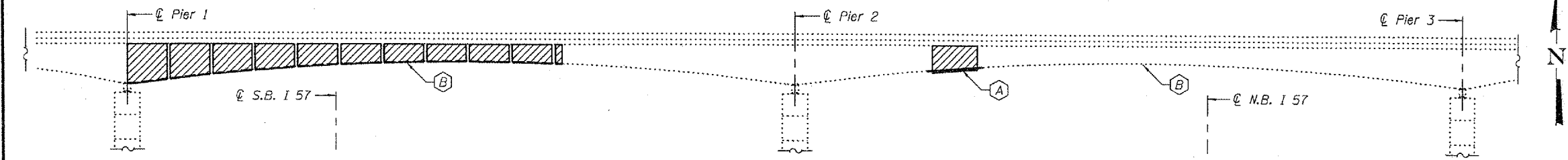


STATE OF ILLINOIS  
DEPARTMENT OF TRANSPORTATION

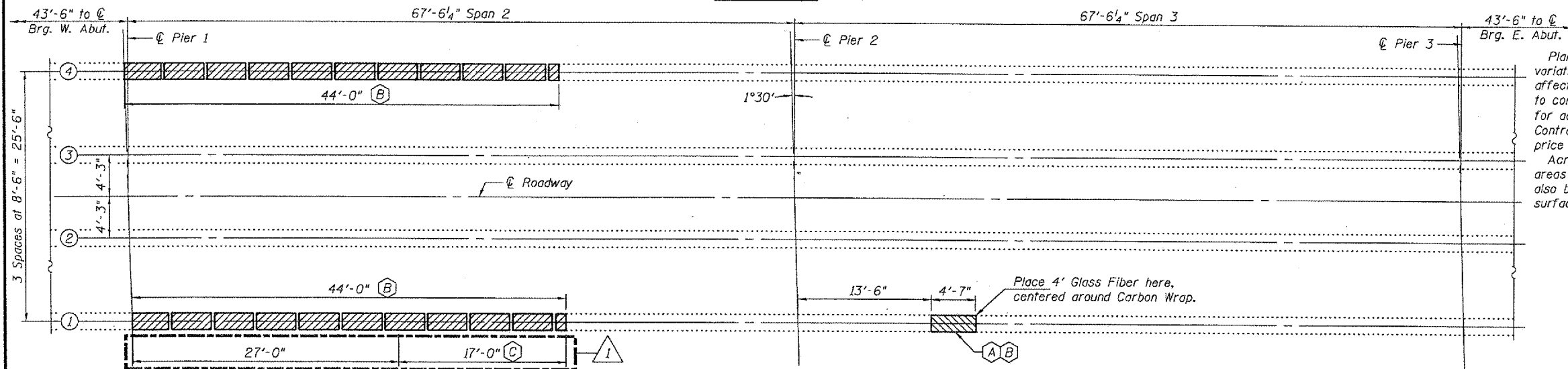
ROUTE NO.	SECTION	COUNTY	TOTAL SHEETS	SHEET NO.
57	46-IHB, HBI	Kankakee	9	8
FED. ROAD DIST. NO. 7		ILL. HIGH. FED. AID PROJECT		

SHEET NO. 1  
2 SHEETS

Contract Number: 66699

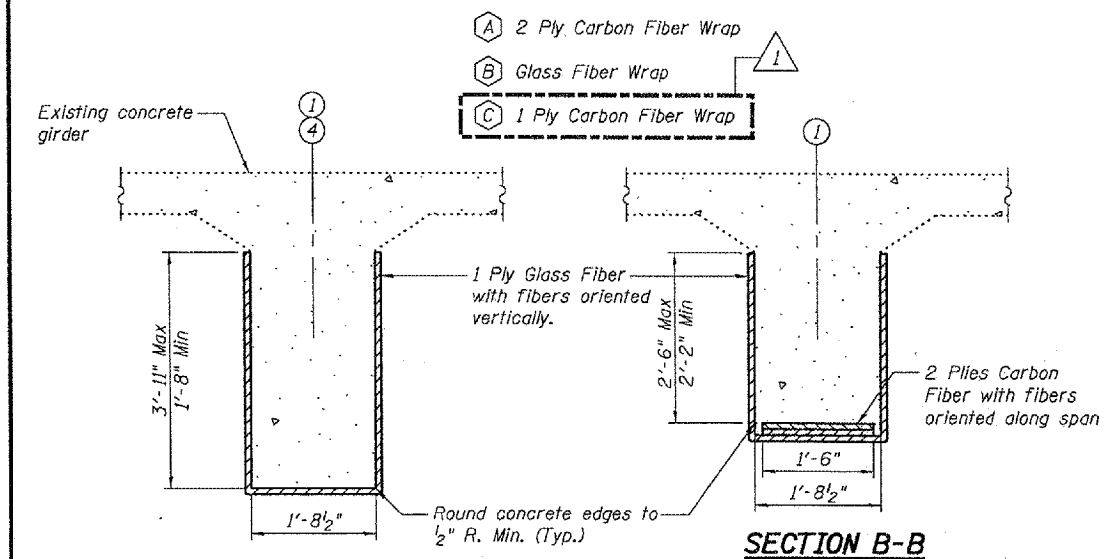


ELEVATION



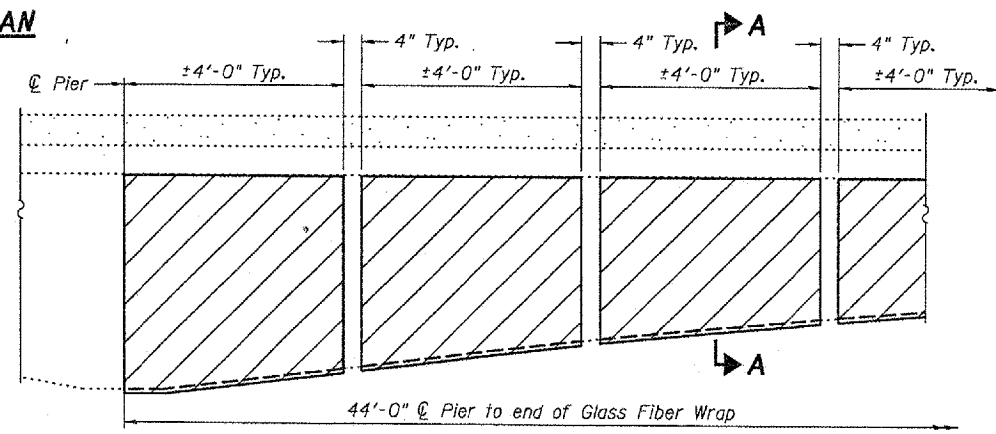
PLAN

**GENERAL NOTES**  
Plan dimensions and details relative to existing plans are subject to routine variations. The Contractor shall field verify existing dimensions and details affecting new construction and make necessary approved adjustments prior to construction or ordering of materials. Such variations shall not be cause for additional compensation for a change in scope of the work, however, the Contractor will be paid for the quantity actually furnished based upon the unit price bid for the work.  
Acrylic coating shall be applied to all surfaces of the fiber wrap. In those areas of the fascia beams where fiber wrap is not applied, acrylic coating shall also be applied to the concrete on the exterior vertical surface and bottom surface.

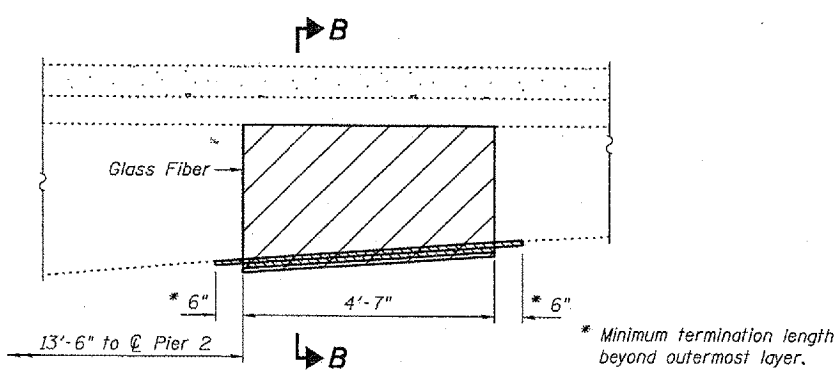


SECTION A-A

SECTION B-B



GLASS FIBER WRAP ELEVATION



CARBON FIBER WRAP ELEVATION

**TOTAL BILL OF MATERIAL**

ITEM	UNIT	QUANTITY
Fiber Wrap	Sq. Ft.	624
Acrylic Coating	Sq. Yd.	249
Structural Repair of Concrete (Depth Equal to or Less Than 5")	Sq. Ft.	35
Polymer Modified Portland Cement Mortar	Sq. Ft.	12

**MINIMUM CURED LAMINATE PROPERTIES**

CARBON FIBER	GLASS FIBER
$f_{fu} = 100,000 \text{ psi}$	$f_{fu} = 77,000 \text{ psi}$
$E_f = 9,400,000 \text{ psi}$	$E_f = 3,400,000 \text{ psi}$
Ply thickness = 0.04"	Ply thickness = 0.04"

DESIGNED: *[Signature]*  
CHECKED: *[Signature]*  
DRAWN: *[Signature]*  
CHECKED: *[Signature]*

EXAMINED: *[Signature]*  
PASSED: *[Signature]*  
ENGINEER OF BRIDGES AND STRUCTURES

May 9, 2007



Expires: November 30, 2008

PLAN, ELEVATION  
AND DETAILS  
F.A.I. RT.57  
KANKAKEE COUNTY  
SN 046-0086