

F.A.I. RTE.	SECTION	COUNTY	TOTAL SHEETS	SHEET NO.
57	(46-1HB,HBK)I	KANKAKEE	9	3

SUMMARY OF QUANTITIES

CONSTRUCTION CODE TYPE: SFTY-2A

100% STATE

URBAN

RURAL

SN 046-0058

SN 046-0086

46-1 HBK

46-1HB

CODE NO.	ITEM	UNIT	TOTAL QUANTITY	URBAN SN 046-0058 46-1 HBK	RURAL SN 046-0086 46-1HB
67100100	MOBILIZATION	L SUM	1	0.5	0.5
70100205	TRAFFIC CONTROL AND PROTECTION, STANDARD 701401	EACH	2	1	1
59000200	EPOXY CRACK INJECTION	FOOT	26	26	
59300100	CONTROLLED LOW-STRENGTH MATERIAL	CU YD	0.3	0.3	
X0325303	STRUCTURAL REPAIR OF CONCRETE (DEPTH GREATER THAN 5 INCHES)	SQ FT	113	78	35
X0325305	STRUCTURAL REPAIR OF CONCRETE (DEPTH EQUAL TO OR LESS THAN 5 INCHES)	SQ FT	46	36	10
X0325748	ACRYLIC COATING	SQ YD	558	309	249
X0325749	FIBER WRAP	SQ FT	1,864	1,240	624
X0322194	POLYMER MODIFIED PORTLAND CEMENT MORTAR	SQ FT	18.6	15.3	3.3

DATE: 3/7/2007
c:/projects/cmain07/cm316/details.dgn

1 REVISED 6/1/07

REVISIONS	
NAME	DATE

ILLINOIS DEPARTMENT OF TRANSPORTATION
SUMMARY OF QUANTITIES
 F.A.I. ROUTE 57 (I-57)
 SECTION: (46-1HB,HBK)I
 KANKAKEE COUNTY
 S.N. 046-0058 & S.N. 046-0086

STATE OF ILLINOIS
DEPARTMENT OF TRANSPORTATION

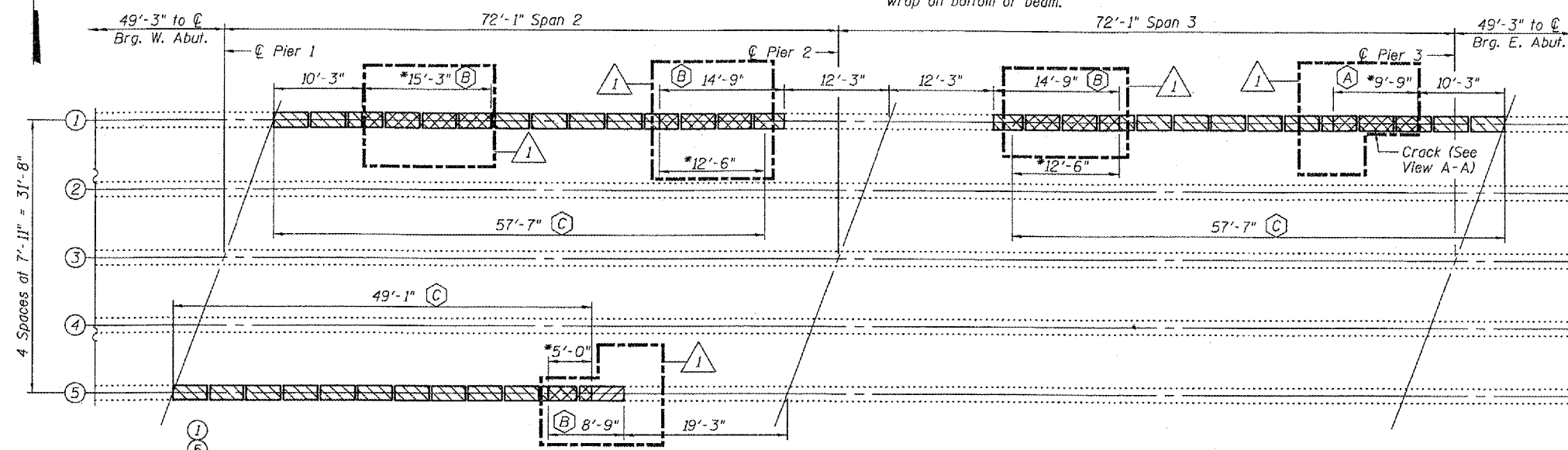
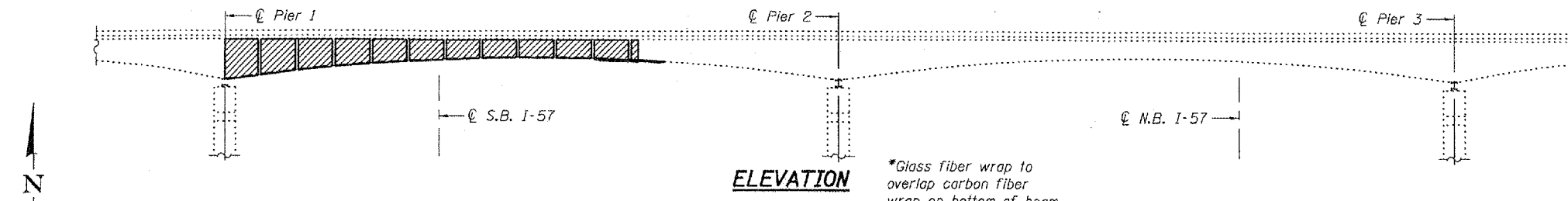
ROUTE NO.	SECTION	COUNTY	SHEETS	SHEET	SHEET NO. 1
57	(46-148, HBK)	Kankakee	9	6	2 SHEETS
FED. ROAD DIST. NO. 7		ILLINOIS	FEE AND PROJECT		

Contract Number: 66699

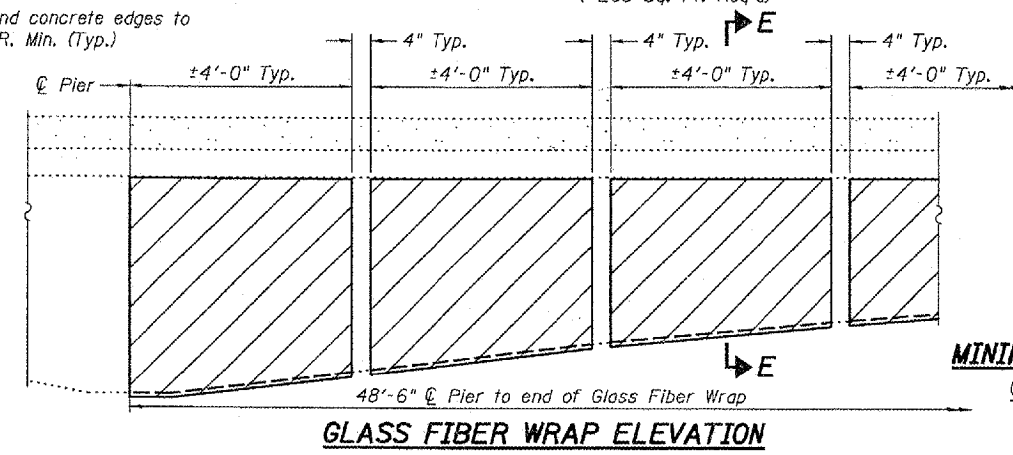
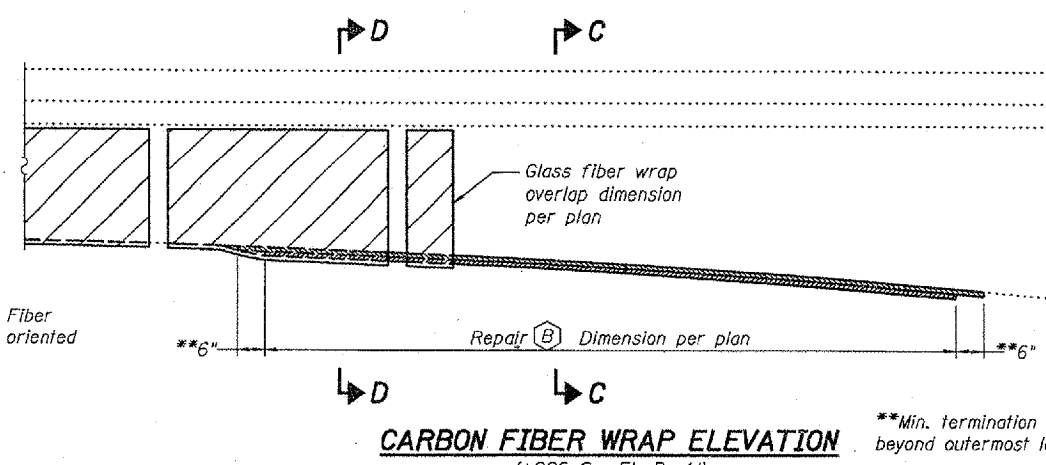
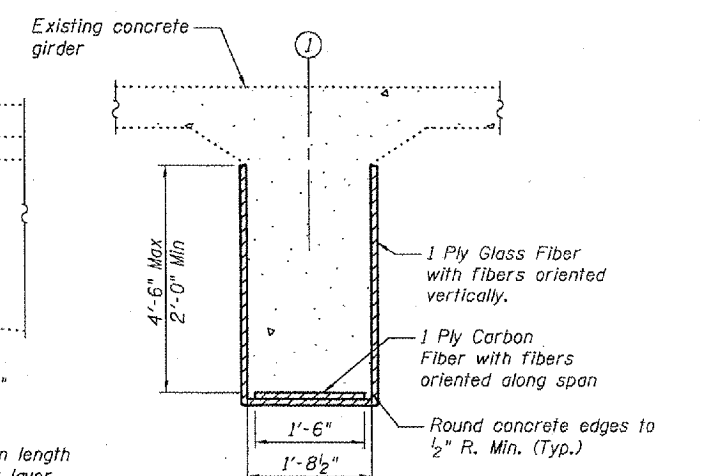
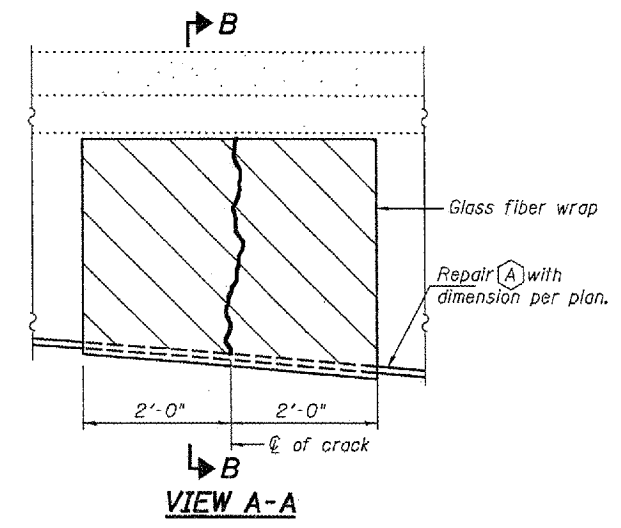
GENERAL NOTES

Plan dimensions and details relative to existing plans are subject to routine variations. The Contractor shall field verify existing dimensions and details affecting new construction and make necessary approved adjustments prior to construction or ordering of materials. Such variations shall not be cause for additional compensation for a change in scope of the work, however, the Contractor will be paid for the quantity actually furnished based upon the unit price bid for the work.

Acrylic coating shall be applied to all surfaces of the fiber wrap. In those areas of the fascia beams where fiber wrap is not applied, acrylic coating shall also be applied to the concrete on the exterior vertical surface and bottom surface.



- PLAN**
- (A) 1 Ply Carbon Fiber Wrap
 - (B) 2 Ply Carbon Fiber Wrap
 - (C) Glass Fiber Wrap



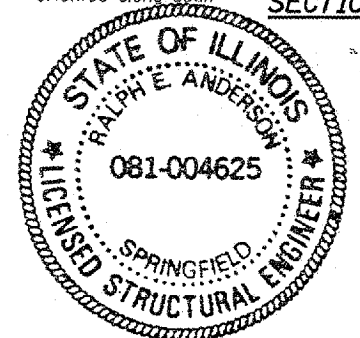
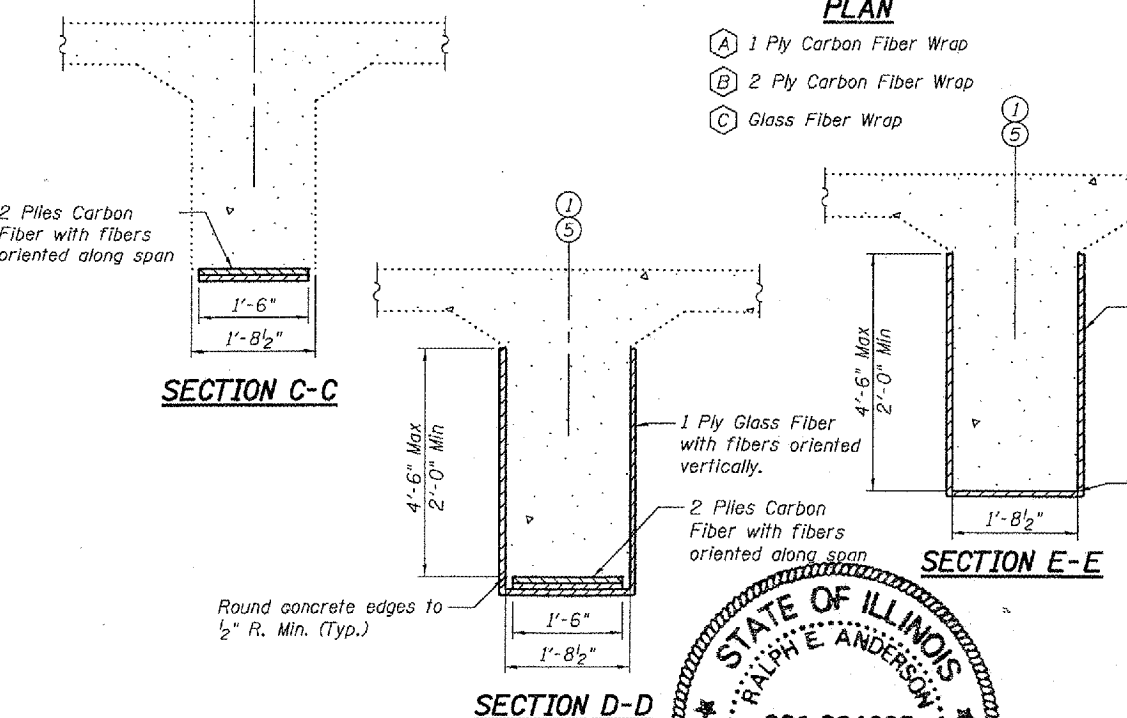
**SECTION B-B
TOTAL BILL OF MATERIAL**

ITEM	UNIT	QUANTITY
Fiber Wrap	Sq. Ft.	1240
Acrylic Coating	Sq. Yd.	309.4
Structural Repair of Concrete (Depth Equal to or Less Than 5")	Sq. Ft.	78
Structural Repair of Concrete (Depth Greater Than 5")	Sq. Ft.	36
Epoxy Crack Injection	Foot	26
Controlled Low-Strength Material	Cu. Yd.	0.3
Polymer Modified Portland Cement Mortar	Sq. Ft.	3.3

MINIMUM CURED LAMINATE PROPERTIES PLAN AND ELEVATION

CARBON FIBER	GLASS FIBER
$f_{fu} = 100,000$ psi	$f_{fu} = 77,000$ psi
$E_f = 9,400,000$ psi	$E_f = 3,400,000$ psi
Ply thickness = 0.04"	Ply thickness = 0.04"

F.A.I. RT. 57
KANKAKEE COUNTY
SN 046-0058



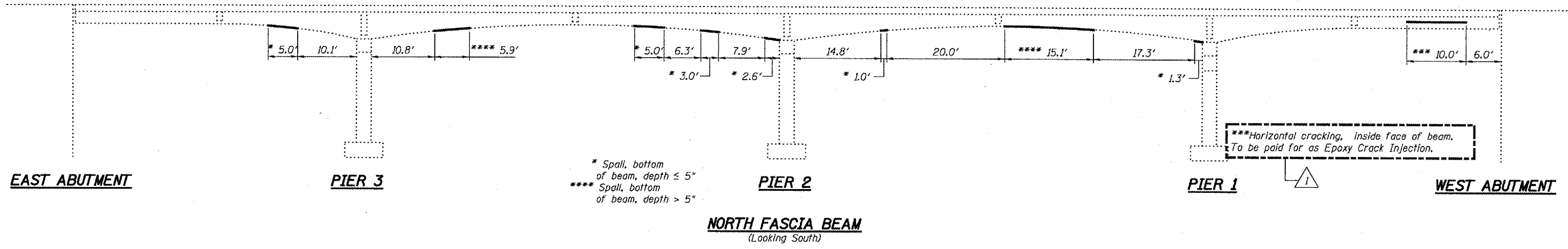
DESIGNED: [Signature]
CHECKED: [Signature]
DRAWN: [Signature]
CHECKED: SJB

May 9, 2007
EXAMINED: [Signature]
PASSED: [Signature]
ENGINEER OF BRIDGES AND STRUCTURES

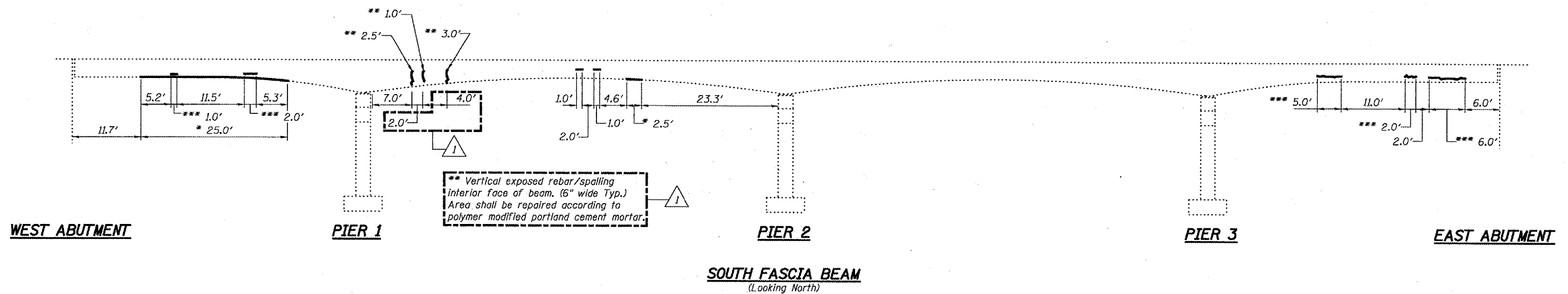
Expires: November 30, 2008

STATE OF ILLINOIS
DEPARTMENT OF TRANSPORTATION

ROUTE NO.	SECTION	COUNTY	TOTAL SHEETS	SHEET NO.	SHEET NO. 2
57	(46-JHB, HBK1)	Kankakee	9	7	2 SHEETS
FED. ROAD DIST. NO. 7	ILLINOIS	FED. AID PROJECT	Contract Number: 66699		



Notes:
Controlled Low-Strength Material shall be used to fill void between slab and slopewall at the East abutment. Concrete repair at bottom flanges of girder shall be repaired according to structural repair of concrete.



BILL OF MATERIAL

ITEM	UNIT	QUANTITY
Structural Repair of Concrete (Depth Equal to or Less Than 5")	Sq. Ft.	78
Structural Repair of Concrete (Depth Greater Than 5")	Sq. Ft.	36
Epoxy Crack Injection	Foot	26
Controlled Low-Strength Material	Cu. Yd.	0.3
Polymer Modified Portland Cement Mortar	Sq. Ft.	3.3

DESIGNED S.J.B.
CHECKED A.T.H.
DRAWN Drew Christopher
CHECKED S.J.B. A.T.H.

May 9, 2007
EXAMINED *Carl Hoover*
PASSED *Ralph E. Anderson*
REPAIR PLANS UNIT CHIEF
ENGINEER OF BRIDGES AND STRUCTURES

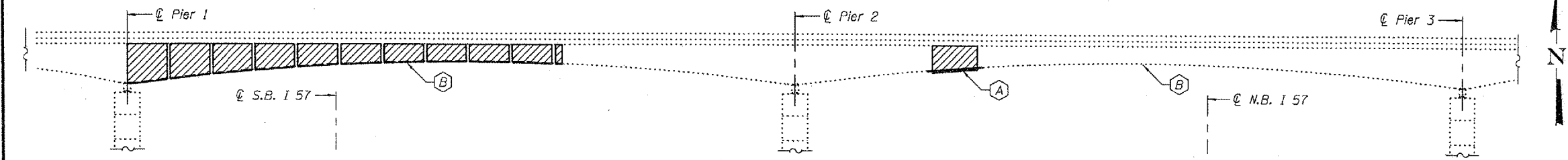
REPAIR AREAS
F.A.I. RT. 57
KANKAKEE COUNTY
SN 046-0058

STATE OF ILLINOIS
DEPARTMENT OF TRANSPORTATION

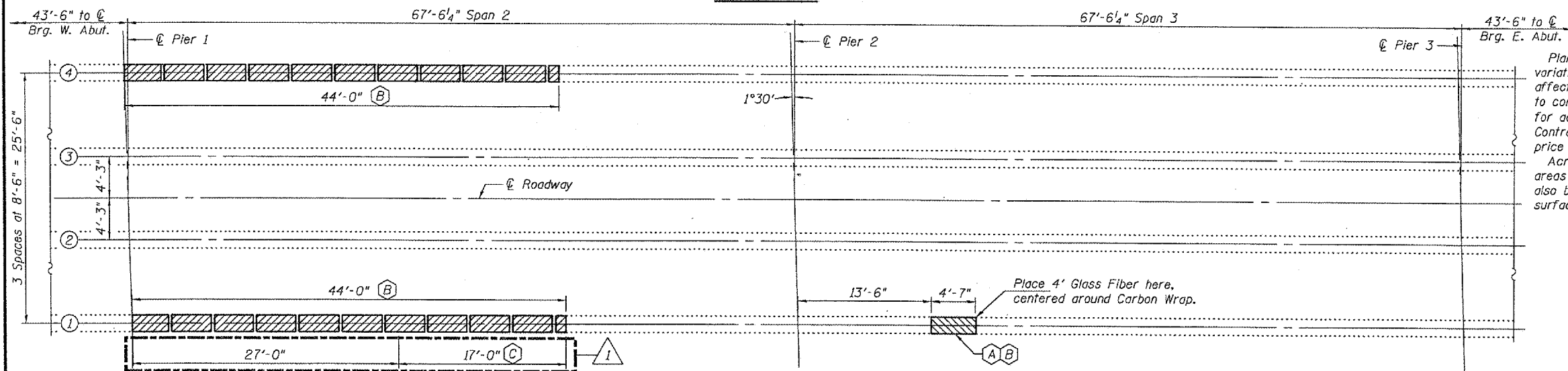
ROUTE NO.	SECTION	COUNTY	TOTAL SHEETS	SHEET NO.
57	46-IHB, HBI	Kankakee	9	8
FED. ROAD DIST. NO. 7		ILLINOIS FED. AID PROJECT		

SHEET NO. 1
2 SHEETS

Contract Number: 66699

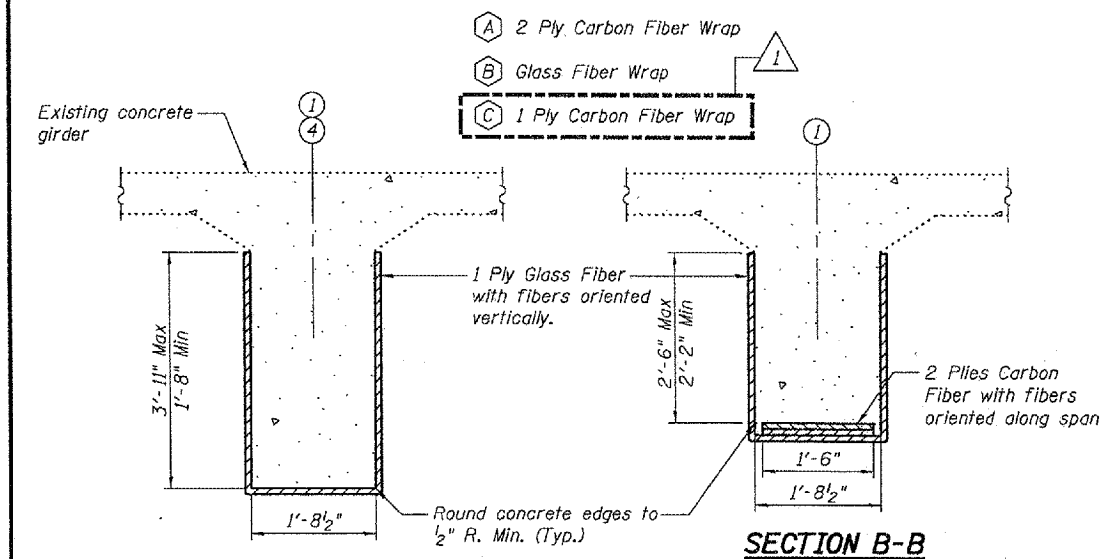


ELEVATION



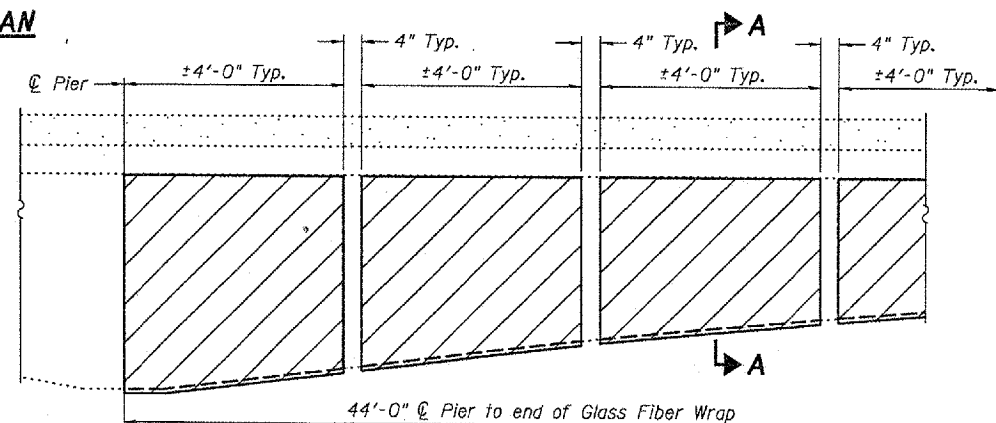
PLAN

GENERAL NOTES
Plan dimensions and details relative to existing plans are subject to routine variations. The Contractor shall field verify existing dimensions and details affecting new construction and make necessary approved adjustments prior to construction or ordering of materials. Such variations shall not be cause for additional compensation for a change in scope of the work, however, the Contractor will be paid for the quantity actually furnished based upon the unit price bid for the work.
Acrylic coating shall be applied to all surfaces of the fiber wrap. In those areas of the fascia beams where fiber wrap is not applied, acrylic coating shall also be applied to the concrete on the exterior vertical surface and bottom surface.

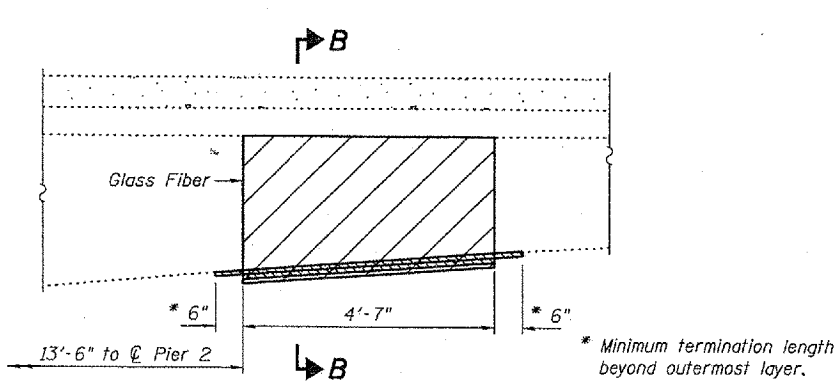


SECTION A-A

SECTION B-B



GLASS FIBER WRAP ELEVATION



CARBON FIBER WRAP ELEVATION

TOTAL BILL OF MATERIAL

ITEM	UNIT	QUANTITY
Fiber Wrap	Sq. Ft.	624
Acrylic Coating	Sq. Yd.	249
Structural Repair of Concrete (Depth Equal to or Less Than 5")	Sq. Ft.	35
Polymer Modified Portland Cement Mortar	Sq. Ft.	12

MINIMUM CURED LAMINATE PROPERTIES

CARBON FIBER	GLASS FIBER
$f_{fu} = 100,000 \text{ psi}$	$f_{fu} = 77,000 \text{ psi}$
$E_f = 9,400,000 \text{ psi}$	$E_f = 3,400,000 \text{ psi}$
Ply thickness = 0.04"	Ply thickness = 0.04"

DESIGNED: *[Signature]*
CHECKED: *[Signature]*
DRAWN: *[Signature]*
CHECKED: *[Signature]*

May 9, 2007
EXAMINED: *[Signature]*
PASSED: *[Signature]*
ENGINEER OF BRIDGES AND STRUCTURES



Expires: November 30, 2008

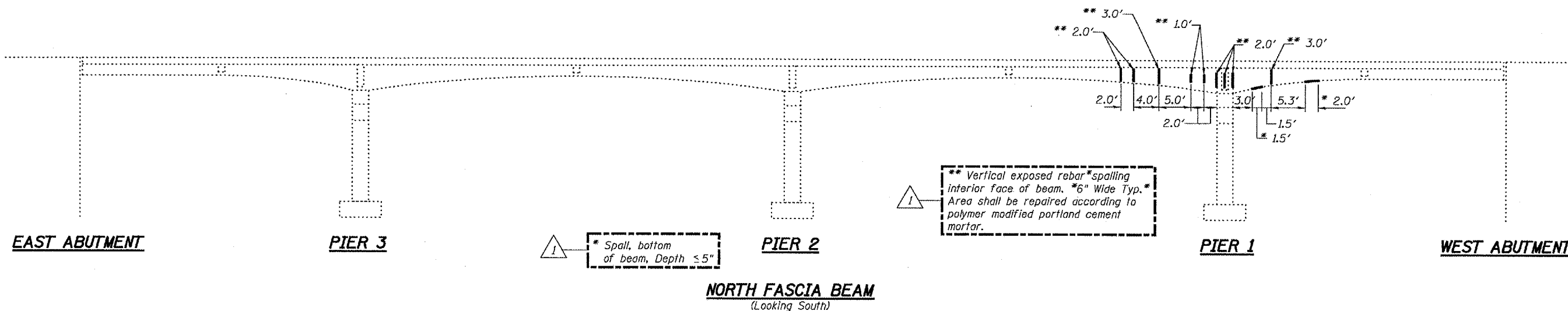
PLAN, ELEVATION
AND DETAILS
F.A.I. RT.57
KANKAKEE COUNTY
SN 046-0086

STATE OF ILLINOIS
DEPARTMENT OF TRANSPORTATION

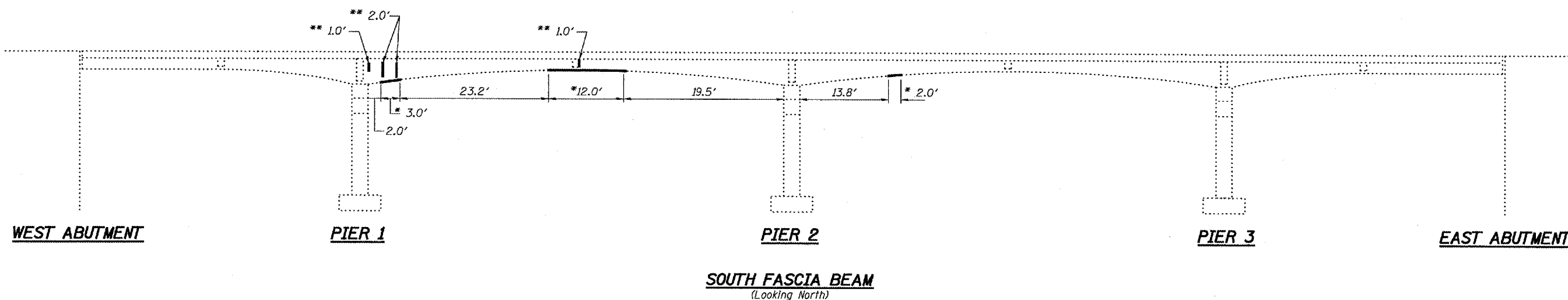
ROUTE NO.	SECTION	COUNTY	TOTAL SHEETS	SHEET NO.
57	46-IHB, HBKJ	Kankakee	9	9
FED. ROAD DIST. NO. 7	ILLINOIS	FED. AID PROJECT		

SHEET NO. 2
2 SHEETS

Contract Number: 66699



Note:
Concrete repair at bottom flanges of girder shall be repaired according to structural repair of concrete.



BILL OF MATERIAL

Item	Unit	Quantity
Structural Repair of Concrete (Depth Equal to or Less Than 5")	Sq. Ft.	35
Polymer Modified Portland Cement Mortar	Sq. Ft.	12

DESIGNED	S.J.B.
CHECKED	A.T.H.
DRAWN	Drew Christopher
CHECKED	S.J.B. A.T.H.

May 9, 2007

EXAMINED *R. Carl Pomeroy*
REPAIR PLANS UNIT CHIEF

PASSED *Ralph E. Anderson*
ENGINEER OF BRIDGES AND STRUCTURES

REPAIR AREAS
F.A.I. RT.57
KANKAKEE COUNTY
SN 046-0086