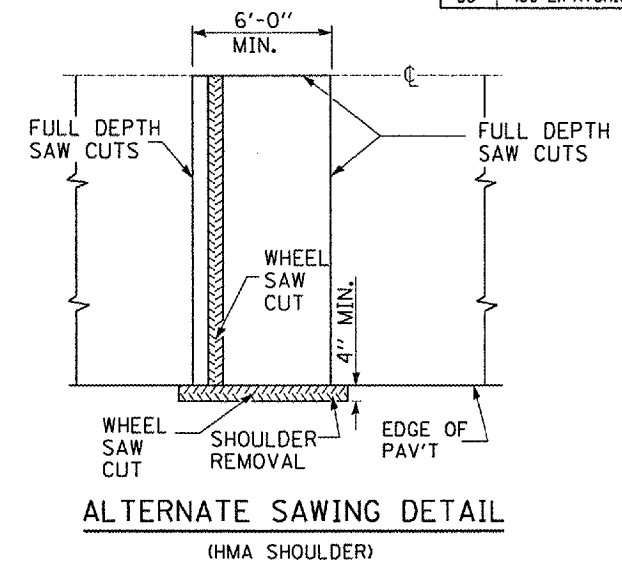
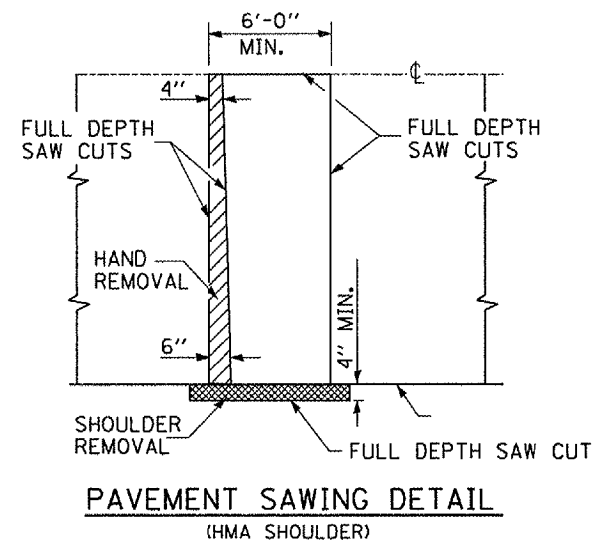
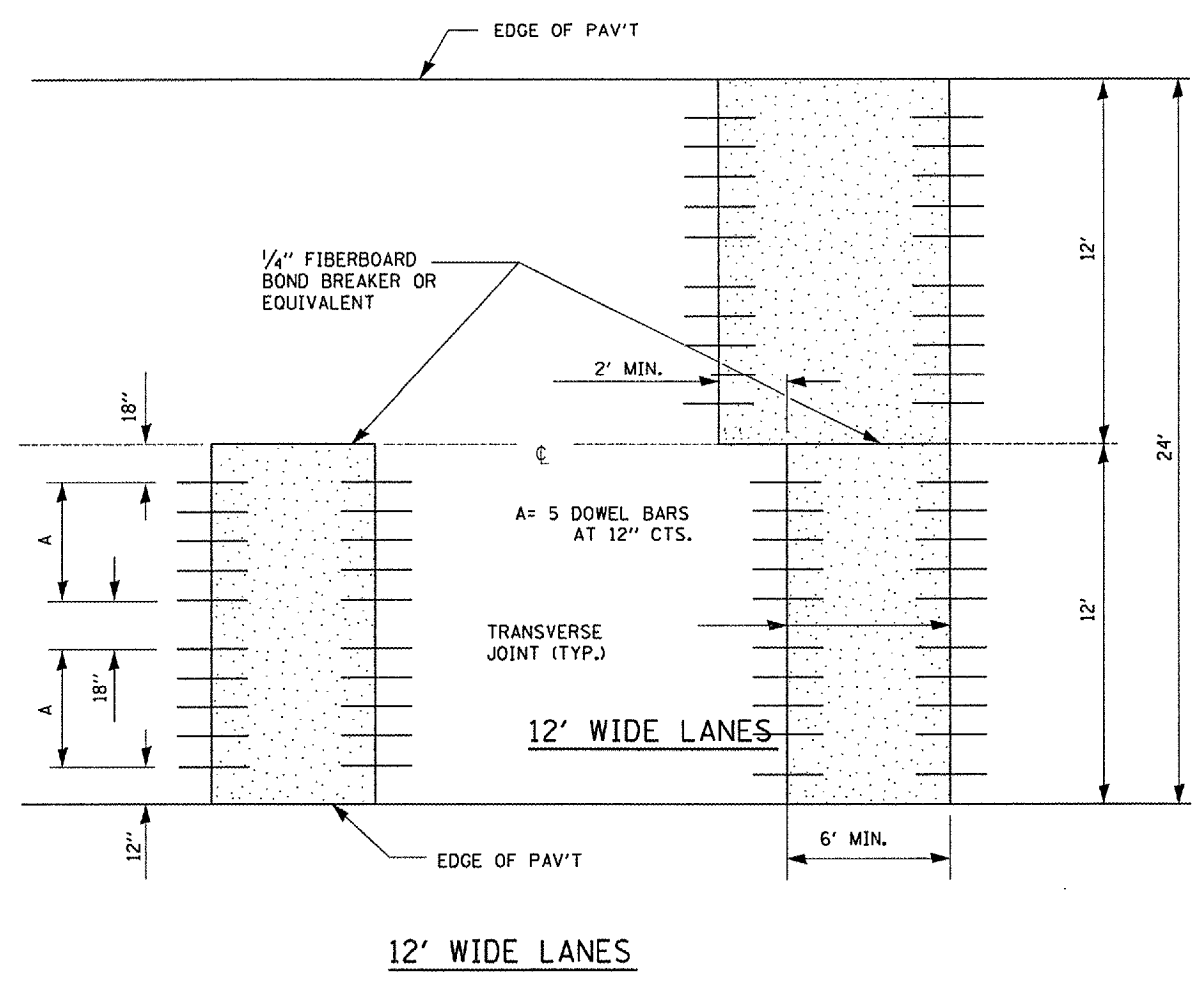
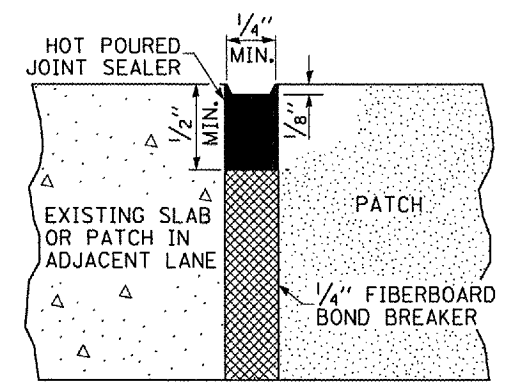


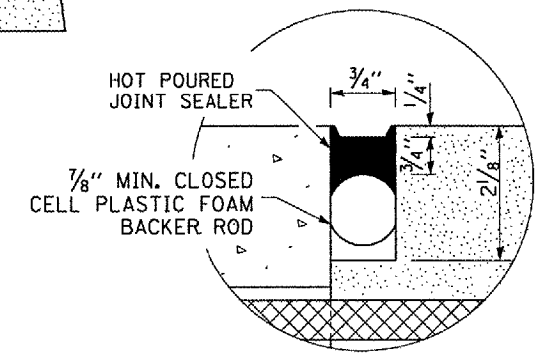
F.A.I. RTE.	SECTION	COUNTY	TOTAL SHEETS	SHEET NO.
80	(50-2)PATCHING	LASALLE	13	12



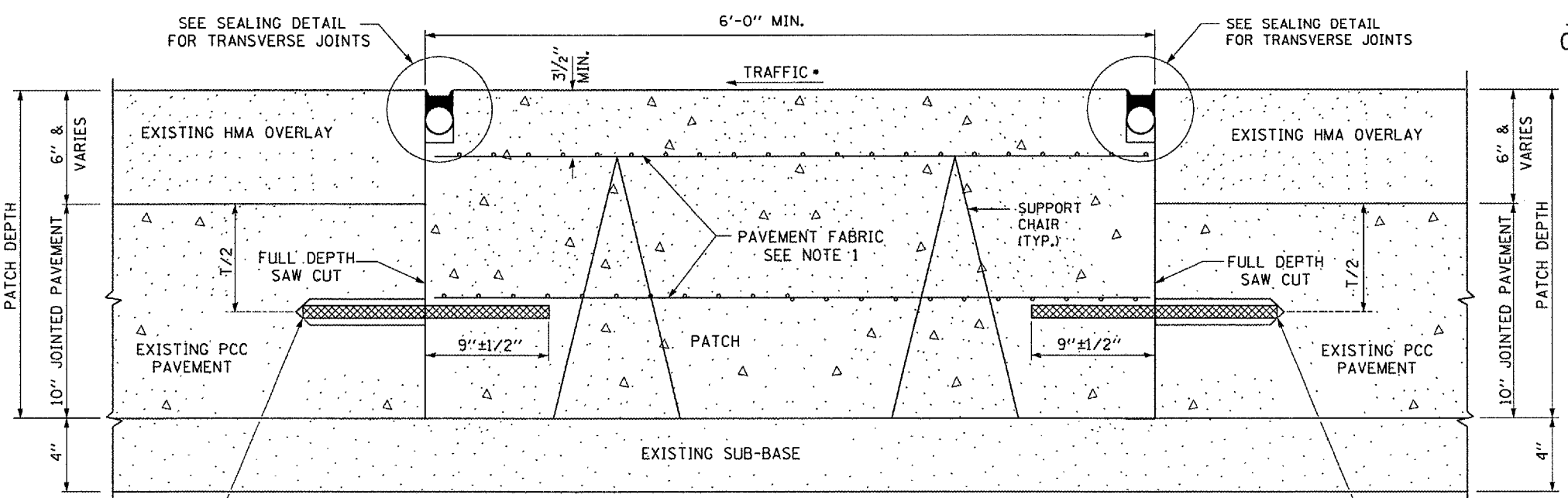
PAVEMENT THICKNESS	DOWEL BAR DIAMETER	HOLE DIAMETER
8" OR GREATER	1 1/2"	1 5/8"
7" THRU 7.99"	1 1/4"	1 3/8"
LESS THAN 7"	1"	1 1/8"



SEALING DETAIL CENTERLINE JOINT



SEALING DETAIL TRANSVERSE JOINT



NOTE 1: FOR TYPE II PATCHES, OMIT BOTTOM PAVEMENT FABRIC

CLASS B PATCH (With Resurfacing)

18" LONG DOWEL BARS ANCHORED INTO EXISTING PAVEMENT AT 12" CTS.

18" LONG DOWEL BARS ANCHORED INTO EXISTING PAVEMENT AT 12" CTS.

GENERAL NOTES

THE TRANSVERSE JOINTS FOR CLASS PATCHES SHALL ALIGN WITH JOINTS OR CRACKS IN THE ADJACENT LANE WHENEVER POSSIBLE.
SEE STANDARD 420701 FOR DETAILS OF PAVEMENT FABRIC.

REVISIONS	
NAME	DATE

ILLINOIS DEPARTMENT OF TRANSPORTATION
CLASS B PATCHING DETAILS
FAI ROUTE 80 (I-80)
SECTION 06(3,4,5)PATCHING
BUREAU COUNTY

Date: February 22, 2007
c:\projects\main08\cm302\details.dgn