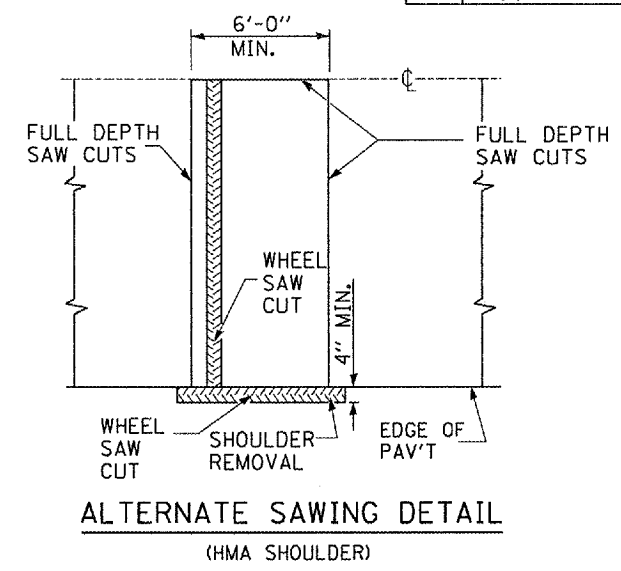
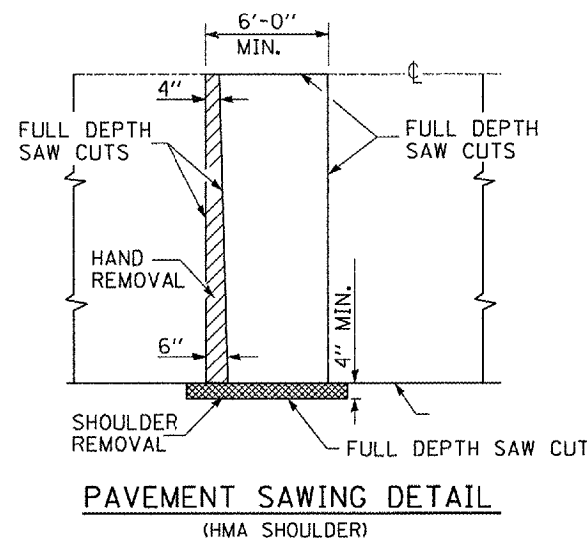
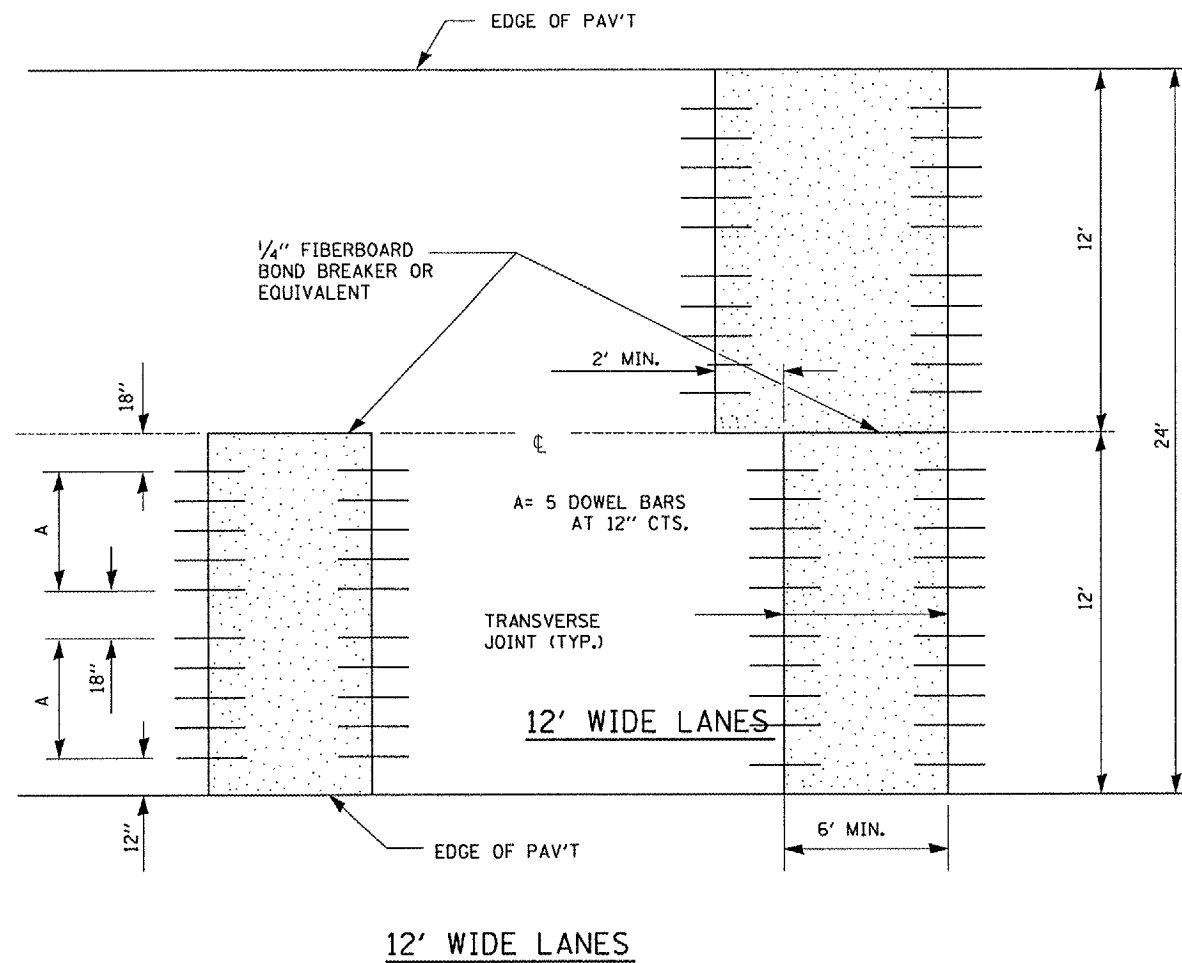
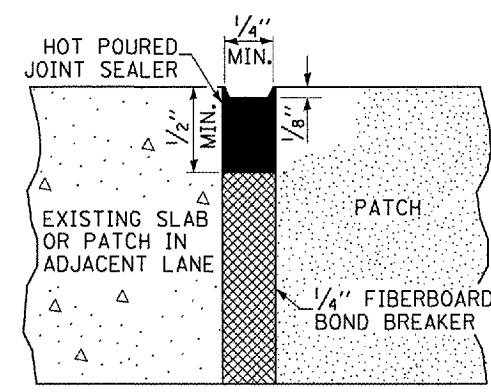


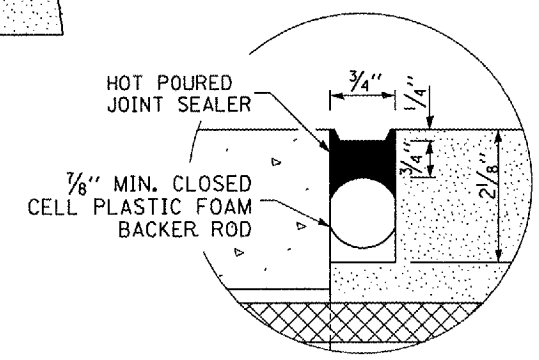
F.A.I. RTE.	SECTION	COUNTY	TOTAL SHEETS	SHEET NO.
57	46(1,2,3)PATCHING	KANKAKEE	16	15



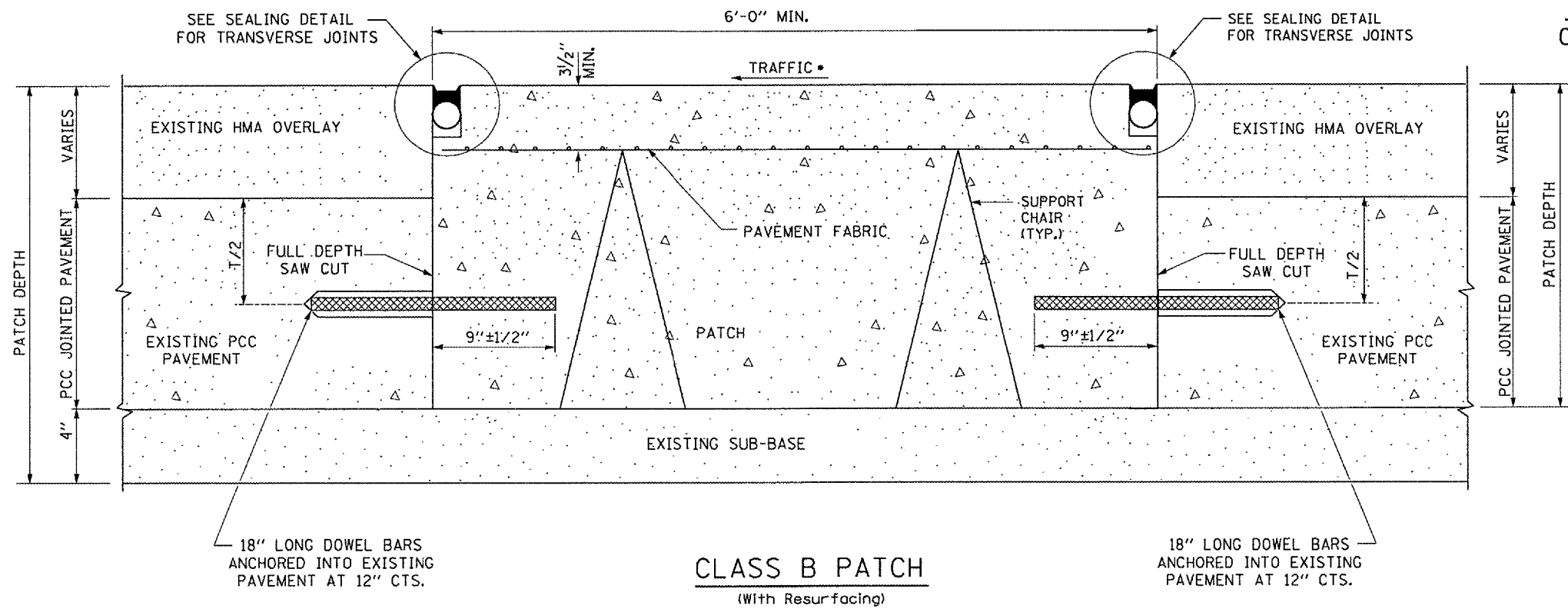
PAVEMENT THICKNESS	DOWEL BAR DIAMETER	HOLE DIAMETER
8" OR GREATER	1 1/2"	1 5/8"
7" THRU 7.99"	1 1/4"	1 3/8"
LESS THAN 7"	1"	1 1/8"



SEALING DETAIL  
CENTERLINE JOINT



SEALING DETAIL  
TRANVERSE JOINT



CLASS B PATCH  
(With Resurfacing)

GENERAL NOTES

THE TRANSVERSE JOINTS FOR CLASS PATCHES SHALL ALIGN WITH JOINTS OR CRACKS IN THE ADJACENT LANE WHENEVER POSSIBLE.

SEE STANDARD 420701 FOR DETAILS OF PAVEMENT FABRIC

REVISIONS	
NAME	DATE

ILLINOIS DEPARTMENT OF TRANSPORTATION  
**CLASS B PATCHING DETAILS**  
FAI ROUTE 57 (I-57)  
SECTION 46(1,2,3)PATCHING  
KANKAKEE COUNTY

Date: MARCH 29, 2007  
ct:/projects/cmain08/cm308/details.dgn