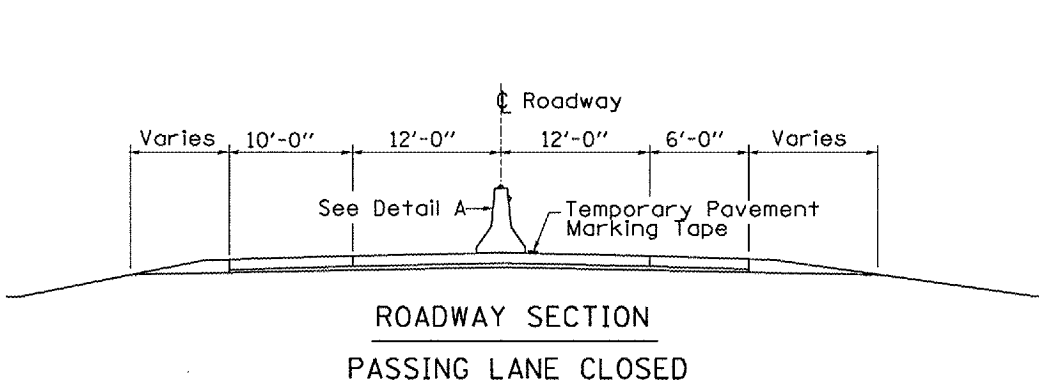
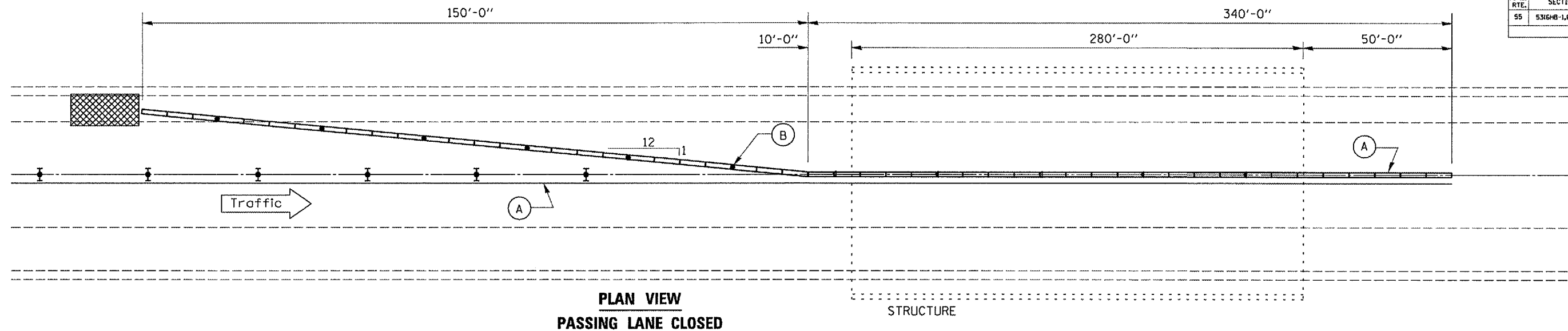
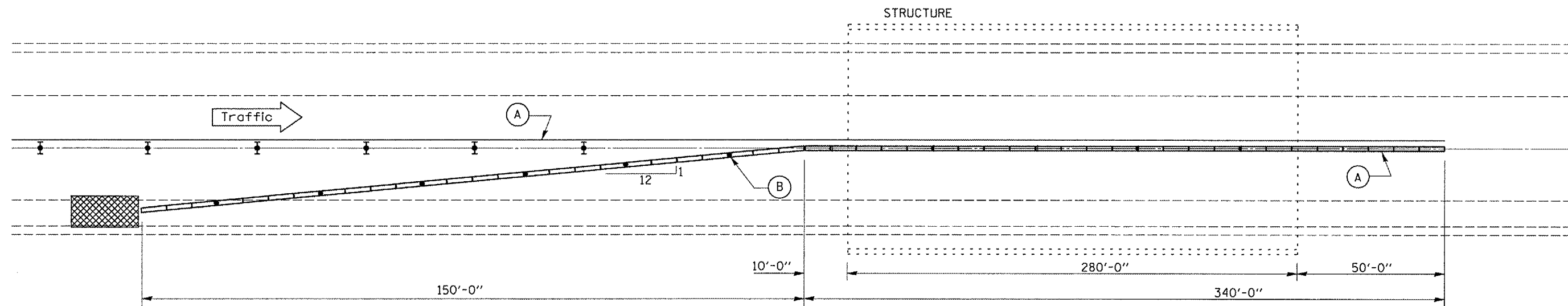
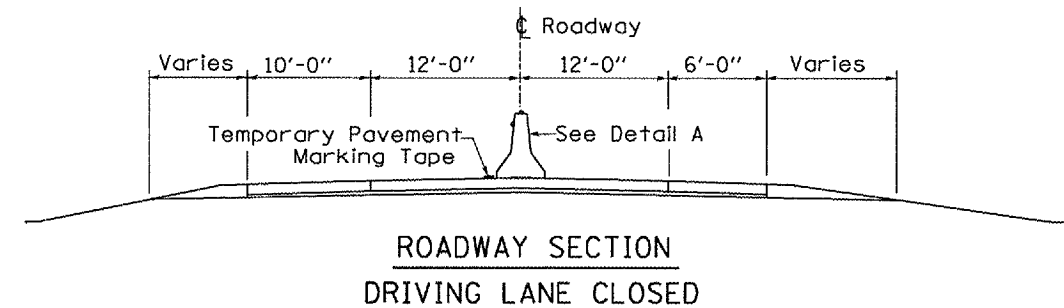


F.A.I. RTE.	SECTION	COUNTY	TOTAL SHEETS	SHEET NO.
55	53(6HB-1,6B)BP	LIVINGSTON	15	8
ILLINOIS				



LENGEND

- Work Zone
- Type II barricade, drum or vertical barricade with steady burn monodirectional light
- Temporary concrete barrier
- Impact attenuator



- (A) ReflectORIZED temporary pavement marking tape shall be placed throughout the taper and along side the work area. The edge line shall be white for right lane closure.
- (B) Vertical panels at 25' centers with steady burning
- (C) Type "C" monodirectional reflector

Work this sheet with Traffic Control Standards 701402

REVISIONS	
NAME	DATE

ILLINOIS DEPARTMENT OF TRANSPORTATION
TEMPORARY CONCRETE BARRIER DETAILS
BRIDGE LOCATION NO. 2 AND 3
 FAI ROUTE 55 (I-55) SECTION 53(6HB-1,6B)BP
 LIVINGSTON COUNTY
 SN 053-0122, SN 053-0124 (SB), SN 053-0125 (NB)