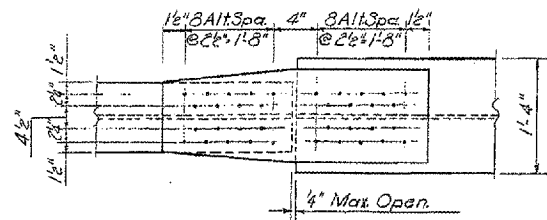
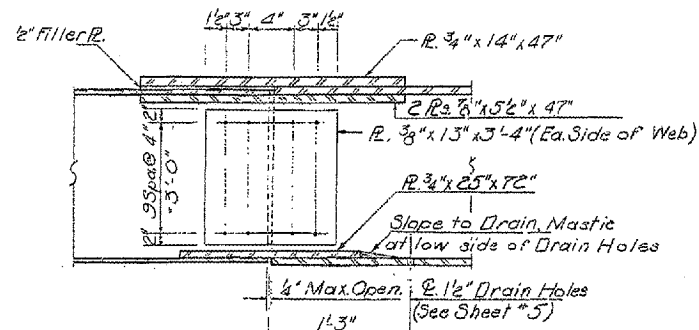


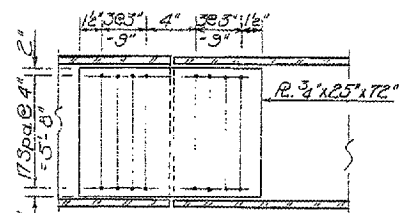
F.A.I. RTE.	SECTION	COUNTY	TOTAL SHEETS	SHEET NO.
55	53(GHB-1,6B)BP	LIVINGSTON	15	11
ILLINOIS				



TOP FLANGE SPLICES

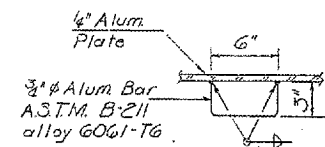


WEB SPLICES

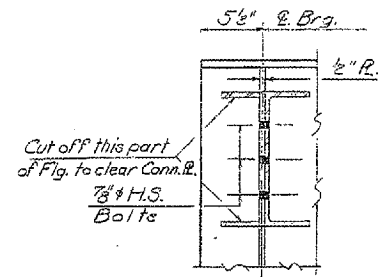


BOTTOM FLANGE SPLICES

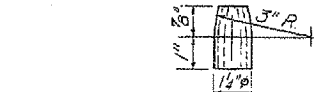
DETAIL OF FIELD SPLICES
(5/8" # H.S. Bolts)



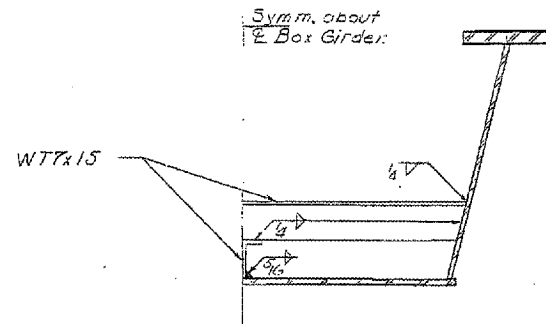
HANDLE DETAIL



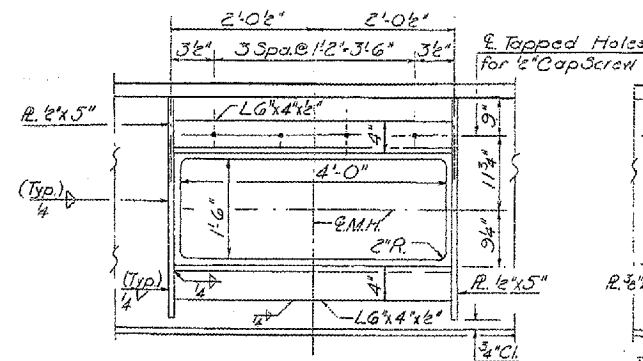
SEC. A-A



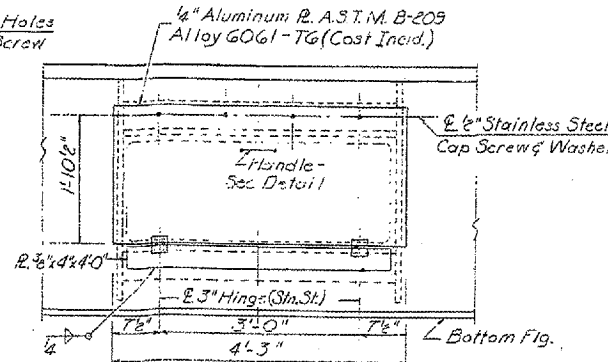
PINTLE DETAIL



SEC. AT TRANSVERSE STIFFENER

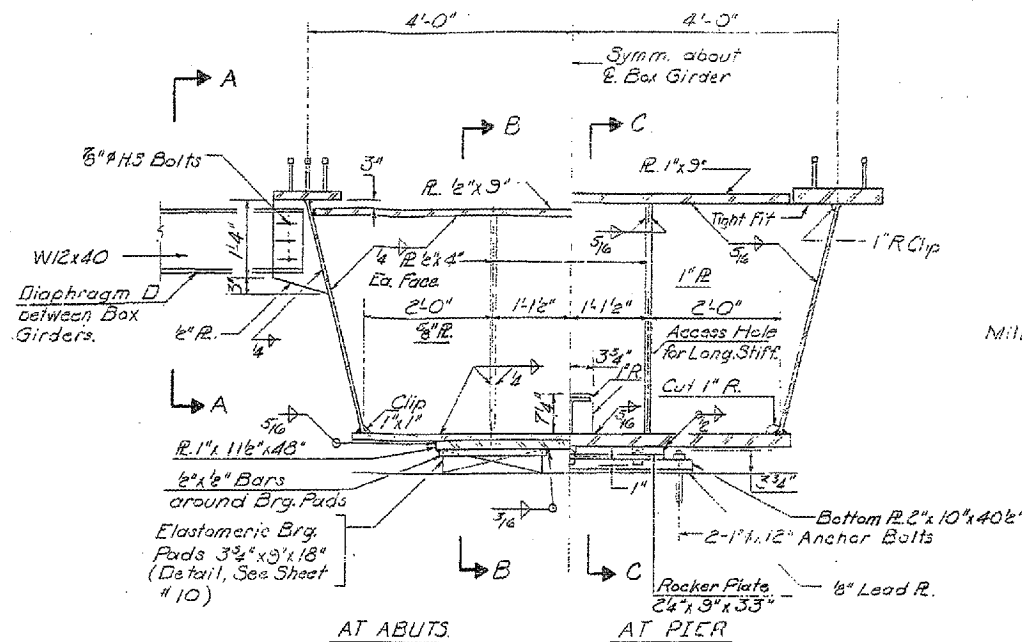


INSIDE VIEW

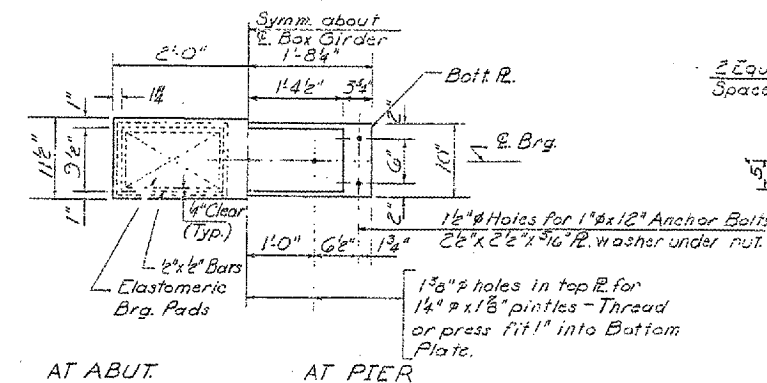


OUTSIDE VIEW

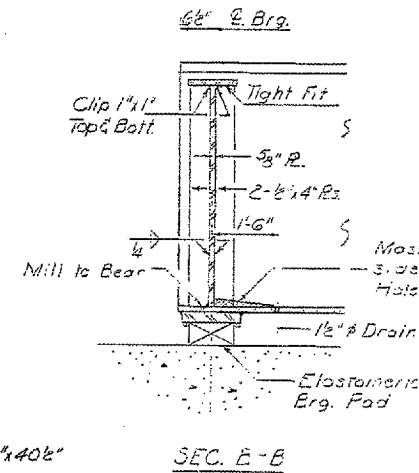
DETAILS OF MANHOLES



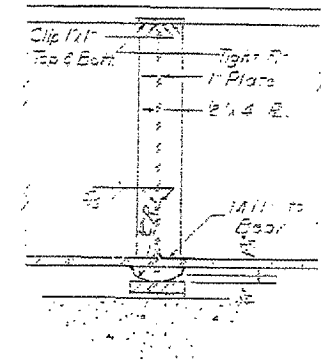
AT ABUTS AT PIER
SECTIONS AT BEARINGS



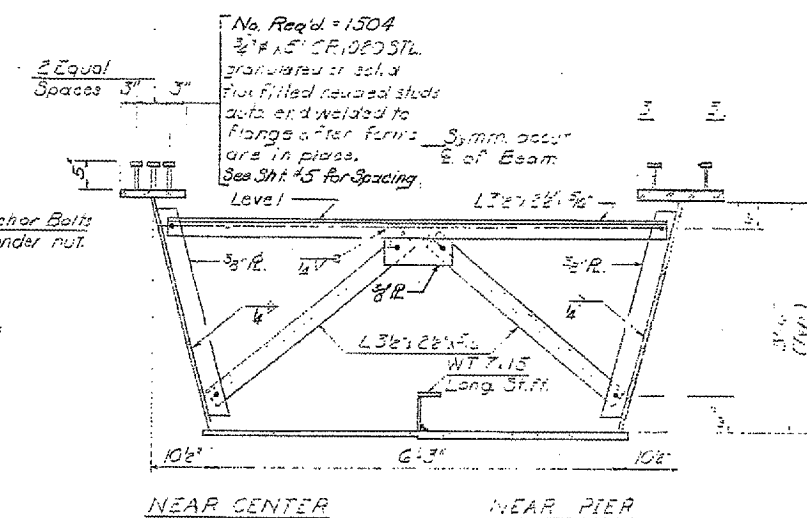
AT ABUT AT PIER
PLAN OF BEARINGS



SEC. E-B



SEC. C-C



NEAR CENTER NEAR PIER
TYPICAL CROSS SECTION

Showing Cross Frame CF-3 with 3 Bolts

Warning Note:
Caution - Ventilate before entering and while working inside girders.

REVISIONS	
NAME	DATE

ILLINOIS DEPARTMENT OF TRANSPORTATION
EXISTING STRUCTURE DETAILS
BRIDGE LOCATION NO. 1
FAI ROUTE 55 (I-55) SECTION 53(GHB-1,6B)BP
LIVINGSTON COUNTY
SN 053-0122, SN 053-0124 (SB), SN 053-0125 (NB)

"FOR INFORMATION ONLY"