

F.A.I. RTE.	SECTION	COUNTY	TOTAL SHEETS	SHEET NO.
80	(50-3HB)BP	LASALLE	8	1

STATE OF ILLINOIS  
DEPARTMENT OF TRANSPORTATION  
DIVISION OF HIGHWAYS  
**PROPOSED  
HIGHWAY PLANS**

FAI ROUTE 80 (I-80)  
SECTION (50-3HB)BP

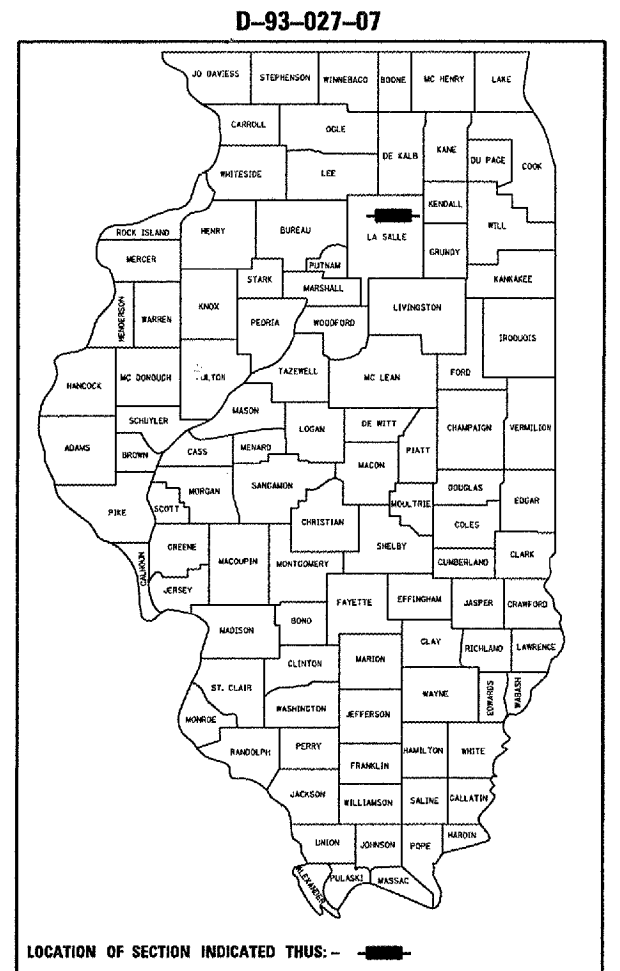
LASALLE COUNTY  
C-93-057-07  
BRIDGE PAINTING

INDEX OF SHEETS

1. COVER SHEET
2. GENERAL NOTES
3. SUMMARY OF QUANTITIES
4. TYPICAL SECTIONS
5. TRAFFIC CONTROL AND PROTECTION, STANDARD 701402 (SPECIAL)
6. TEMPORARY CONCRETE BARRIER DETAILS
- 7 - 8. EXISTING STRUCTURE DETAILS

STANDARDS

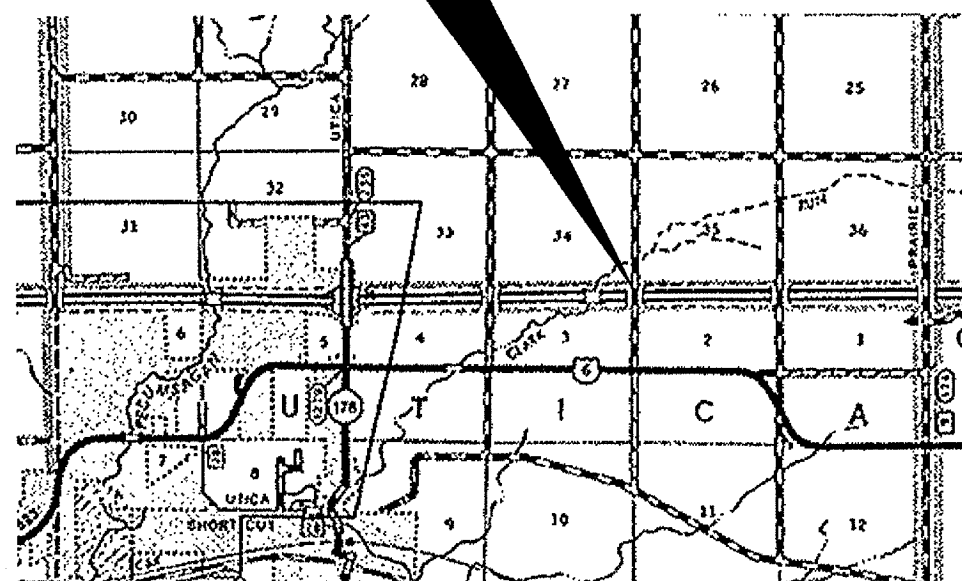
- |           |   |
|-----------|---|
| 000001-04 | STANDARD SYMBOLS, ABBREVIATIONS AND PATTERNS                                  |
| 635011-01 | REFLECTOR MARKER AND MOUNTING DETAILS   |
| 701011-01 | OFF-ROAD MOVING OPERATIONS 2L, 2W, DAY ONLY                                   |
| 701101-01 | OFF-ROAD OPERATIONS MULTILANE, 4.5 m (15') TO 600 mm (24") FROM PAVEMENT EDGE |
| 701301-02 | LANE CLOSURE, 2L, 2W, SHORT TIME OPERATIONS                                   |
| 701400-02 | APPROACH TO LANE CLOSURE, FREEWAY/EXPRESSWAY                                  |
| 701402-05 | LANE CLOSURE, FREEWAY/EXPRESSWAY, WITH BARRIER                                |
| 702001-06 | TRAFFIC CONTROL DEVICES   |
| 704001-03 | TEMPORARY CONCRETE BARRIER  |



FUNCTIONAL CLASSIFICATION  
RURAL - INTERSTATE  
F.A.I. ROUTE 80 (I-80)  
2005 ADT = 28100  
P.V. = 61.4%    M.U. = 31.3%    S.U. = 7.3%

PROJECT LOCATION

SN 050-0127  
2.0 MI. EAST OF IL ROUTE 178



LOCATION MAP

NOT TO SCALE  
POINT LOCATION

MICROFILMED \_\_\_\_\_  
REEL NUMBER \_\_\_\_\_  
AWARDED \_\_\_\_\_  
RESIDENT ENGINEER \_\_\_\_\_  
AS BUILT CHANGES WERE MADE  
ON THE FOLLOWING SHEETS \_\_\_\_\_

**J.U.L.I.E.**  
JOINT UTILITY LOCATION INFORMATION FOR EXCAVATION  
1-800-892-0123

**DISTRICT NO. 3 815-434-6131**

PROJECT ENGINEER: JOE KANNEL  
UNIT CHIEF: RON WOODSHANK  
TOWNSHIP: UTICA

**CONTRACT NO. 66715**

STATE OF ILLINOIS  
DEPARTMENT OF TRANSPORTATION  
DIVISION OF HIGHWAYS

SUBMITTED April 7, 2007  
George Ryan  
DEPUTY DIRECTOR OF HIGHWAYS/REGION ENGINEER

May 11, 2007  
Eric F. Hawk  
ENGINEER OF DESIGN AND ENVIRONMENT

May 11, 2007  
Milton R. Seas, P.E.  
DIRECTOR OF HIGHWAYS, CHIEF ENGINEER

**PRINTED BY THE AUTHORITY  
OF THE STATE OF ILLINOIS**

Date: 03/12/2007  
project:z:/bridgepaint\_07/050-0127.dgn

F.A.I. RTE.	SECTION	COUNTY	TOTAL SHEETS	SHEET NO.
80	(50-3HB)BP	LASALLE	8	2

GENERAL NOTES:

Plan dimensions and details relative to the existing roadway and structure have been taken from existing plans and are subject to nominal construction variations. It shall be the contractor's responsibility to verify such dimensions and details in the field and to make necessary approved adjustments prior to construction or ordering of materials. Such variations shall not be cause for additional compensation for a change in the scope of the work, however, the contractor will be paid for the quantity actually furnished at the unit price bid for the work.

The contractor shall be responsible for protecting utility property from construction operations as outlined in Article 107.31 of the Standard Specifications. The "Julie" Number is 1-800-892-0123. A minimum of forty-eight (48) hours advance notice is required.

For stabilization, all Type II barricades and Direction Indicator barricades shall require a minimum of four sand bags per barricade.

Where section or subsection monuments are encountered, the engineer shall be notified before such monuments are removed. The contractor shall protect and carefully preserve all monuments until an authorized surveyor or agent has witnessed or otherwise referenced their location. The contractor shall be responsible for having an authorized surveyor reestablish any section or subsection monuments destroyed by his operations.

Any reference to a standard in these plans shall be interpreted to mean the edition as indicated by the subnumber listed on the index of sheets or the copy of the standard included in these plans.

The contractor shall be required to secure and waste containers that remain on the job site. This will entail that all waste containers can not be moved or opened during non-working hours.

Working days shall be charged until the contractor/subcontractor licensed to dispose of lead paint residue has removed the waste material from the job site according to all Federal, State and Local Laws and Ordinances.

The SSPC-QP1 and SSPC-QP2 Painting Contractor Certifications will <sup>NOT</sup> ~~BE~~ required for this project.

Cleaning and painting of the existing structural steel shall be as specified in the Special Provision for Cleaning and Painting Existing Steel Structures. All existing steel shall be cleaned per Near White Blast Cleaning - SSPC-SP10. All existing steel shall be painted according to the requirements of Paint System 1 - 02/EU. The color of the final finish coat for all interior steel surfaces shall be Gray, Munsell No. 5B 7/1. The color of the final finish coat for the exterior and bottom flange of the fascia beams shall be Green, Munsell No. 7.5G 4/8.

INTERSTATE

DATE: 4.2.07  
 PREPARED BY: Rick Powell  
 DISTRICT STUDIES & PLANS ENGINEER  
 EXAMINED BY: [Signature]  
 DISTRICT CONSTRUCTION ENGINEER  
[Signature]  
 DISTRICT MATERIALS ENGINEER  
[Signature]  
 DISTRICT OPERATIONS ENGINEER

Date: 03/12/2007  
project:c:/bridgepaint\_07/050-0127.dgn

REVISIONS	
NAME	DATE

ILLINOIS DEPARTMENT OF TRANSPORTATION  
**GENERAL NOTES**  
 FAI ROUTE 80 (I-80) SECTION (50-3HB)BP  
 LASALLE COUNTY  
 SN 050-0127 (TR 170)

F.A.I. RTE.	SECTION	COUNTY	TOTAL SHEETS	SHEET NO.
80	(50-3HB)BP	LASALLE	8	3

## SUMMARY OF QUANTITIES

CONSTRUCTION CODE: SFTY-2A

RURAL  
100% STATE  
TOTAL  
QUANTITY

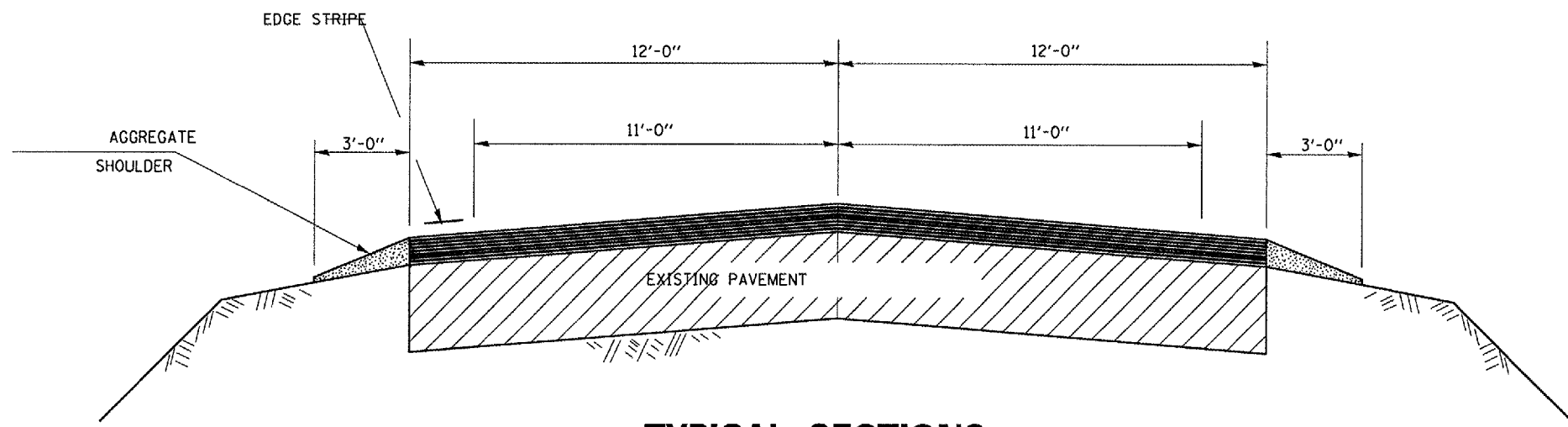
CODE NO.	ITEM	UNIT	TOTAL QUANTITY
50600300	CLEANING AND PAINTING STEEL BRIDGE	L SUM	1
50606400	CONTAINMENT AND DISPOSAL OF LEAD PAINT CLEANING RESIDUES	L SUM	1
67100100	MOBILIZATION	L SUM	1
70101605	TRAFFIC CONTROL AND PROTECTION, STANDARD 701402 (SPECIAL)	EACH	2
70400100	TEMPORARY CONCRETE BARRIER	FOOT	520
70400200	RELOCATE TEMPORARY CONCRETE BARRIER	FOOT	520
X5067500	BRIDGE CLEANING AND PAINTING WARRANTY	L SUM	1
Z0030250	IMPACT ATTENUATORS, TEMPORARY (NON-REDIRECTIVE), TEST LEVEL 3	EACH	2
Z0030350	IMPACT ATTENUATORS, RELOCATE (NON-REDIRECTIVE), TEST LEVEL 3	EACH	2

Date: 03/12/2007  
Project: bridgepaint\_07/050-0127.dgn

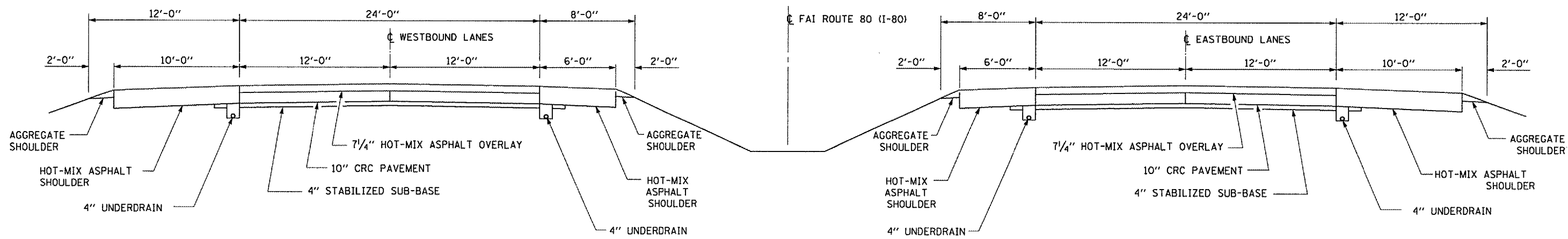
REVISIONS	
NAME	DATE

ILLINOIS DEPARTMENT OF TRANSPORTATION  
**SUMMARY OF QUANTITIES**  
FAI ROUTE 80 (I-80) SECTION (50-3HB)BP  
LASALLE COUNTY  
SN 050-0127 (TR 170)

F.A.I. RTE.	SECTION	COUNTY	TOTAL SHEETS	SHEET NO.
80	(50-3HB)BP	LASALLE	8	4



**TYPICAL SECTIONS**  
**TR 170**



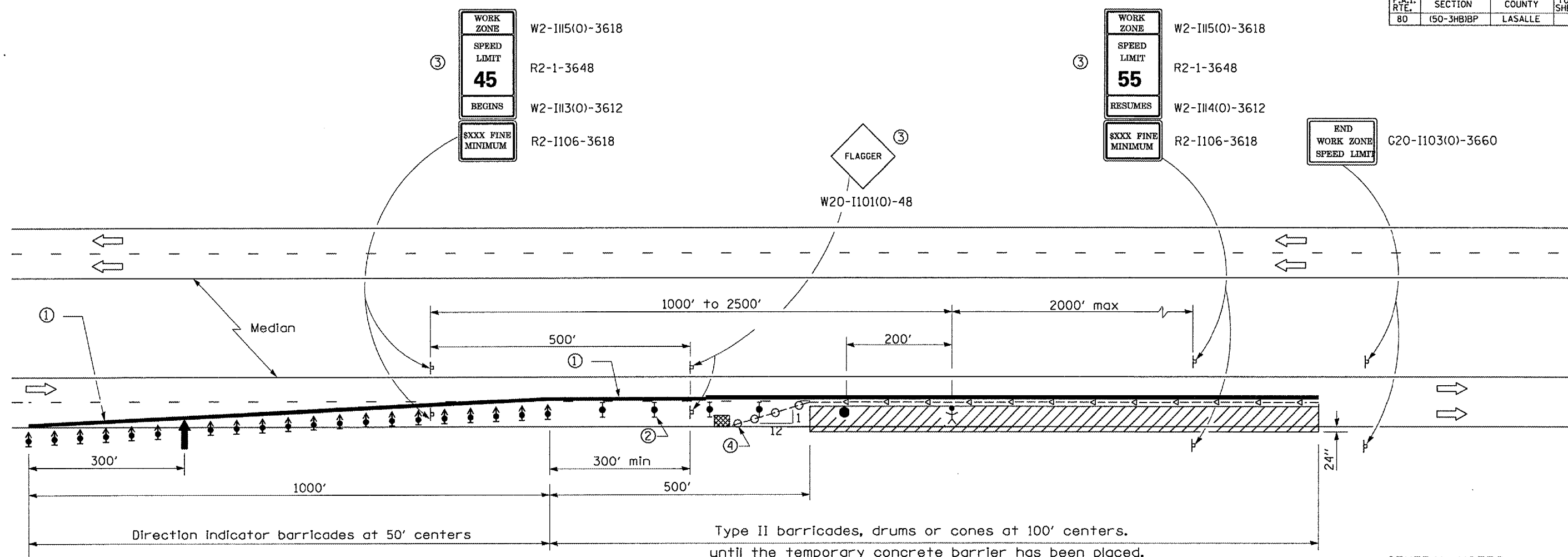
**TYPICAL SECTIONS**  
**FAI 80**

REVISIONS	
NAME	DATE

ILLINOIS DEPARTMENT OF TRANSPORTATION  
**TYPICAL SECTIONS**  
FAI ROUTE 80 (I-80) SECTION (50-3HB)BP  
LASALLE COUNTY  
SN 050-0127 (TR 170)

Date: 03/12/2007  
Project: c:\bridgepaint\_07\050-0127.dgn

F.A.I. RTE.	SECTION	COUNTY	TOTAL SHEETS	SHEET NO.
80	(50-3HB)BP	LASALLE	8	5



See Standard 701400 for approach Start of lane closure taper

Direction Indicator barricades at 50' centers

Type II barricades, drums or cones at 100' centers. until the temporary concrete barrier has been placed.

**GENERAL NOTES**

This Standard is used where at any time any vehicle, equipment, workers or their activities will encroach on the lane adjacent to the shoulder, or on the shoulder within 24" of the edge of pavement whenever temporary concrete barrier is warranted.

This Standard must always be used in combination with Standard 701400.

This Standard also applies when work is being performed in the left lane. Under these conditions, the set up would be a mirror image to what is shown.

A check barricade shall be placed in the middle of the closed lane and at the shoulder at 1000' centers.

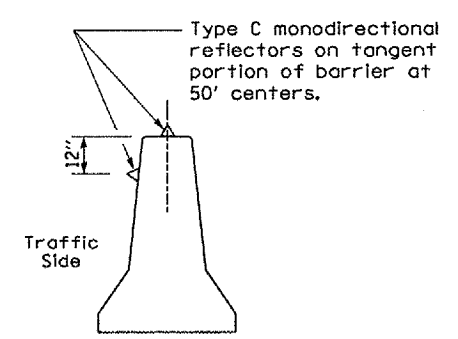
The cost of materials, equipment and labor to utilize this traffic control and protection as shown will be paid for at the contract unit bid price for TRAFFIC CONTROL AND PROTECTION, STANDARD 701402 (SPECIAL) and no further compensation will be allowed.

Temporary concrete barrier shall be paid for according to Section 704 of the Standard Specifications.

**SYMBOLS**

- ↑ Arrow board
- ▨ Work area
- ⚙ Worker
- Ⓜ Sign
- ⚡ Direction Indicator barricade with steady burn monodirectional light
- Ⓜ Type II barricade, drum, or vertical barricade with steady burn monodirectional light
- Flagger with traffic control sign
- Temporary concrete barrier
- ◁ Type C Monodirectional reflector
- Vertical panel with steady burn monodirectional light.
- ▒ Impact attenuator

- ① ReflectORIZED temporary pavement marking tape shall be placed throughout the taper and alongside the temporary concrete barrier. The edge line shall be white for right lane closure and yellow for left lane closures. Temporary raised reflectORIZED pavement markers at 25' centers shall be used to supplement the pavement marking tape.
- ② Type II barricades, drums or cones shall be used alongside the tangent portion of the work zone to provide protection during the installation of the temporary concrete barrier.
- ③ Work Zone speed limit signs and Flagger signs shall be covered after the temporary concrete barrier is in place and uncovered when the temporary concrete barrier is removed or relocated and replaced with Type II barricades, drums or cones to maintain the lane closure. The additional drums, Type II barricades or cones, required shall be included in the cost of Traffic Control and Protection, Standard 701402 (Special).
- ④ Vertical panels at 25' centers with steady burning monodirectional lights.



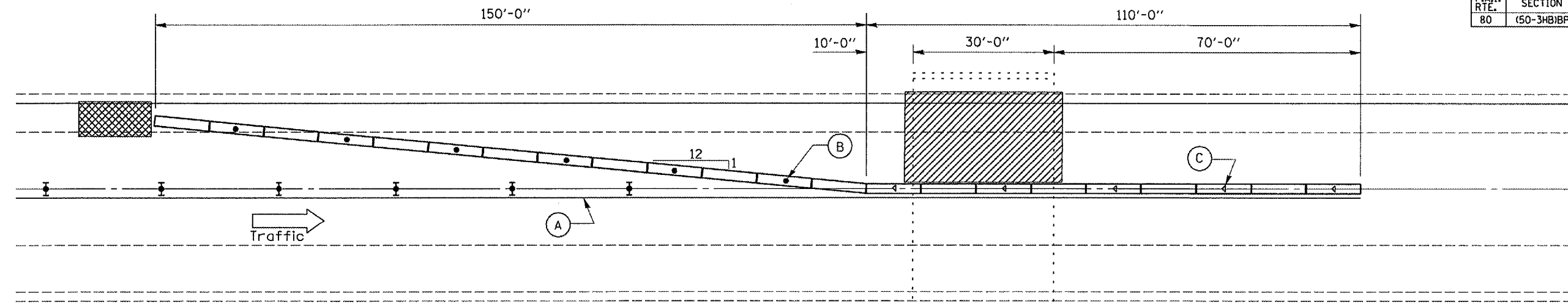
**DETAIL A**  
(BARRIER WALL REFLECTORS)

REVISIONS	
NAME	DATE

ILLINOIS DEPARTMENT OF TRANSPORTATION  
**TRAFFIC CONTROL AND PROTECTION**  
**STANDARD 701402 (SPECIAL)**  
FAI ROUTE 80 (I-80) SECTION (50-3HB)BP  
LASALLE COUNTY  
SN 050-0127 (TR 170)

Date: 03/12/2007  
Project: c:/bridgepaint\_07/050-0127.dgn

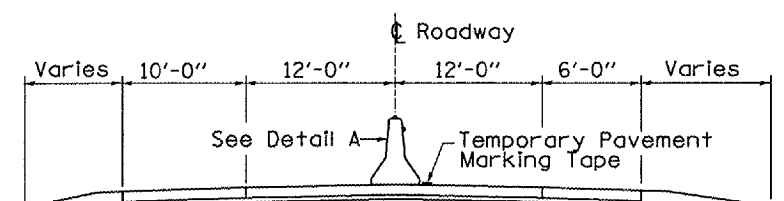
F.A.I. RTE.	SECTION	COUNTY	TOTAL SHEETS	SHEET NO.
80	(50-3HB)BP	LASALLE	8	6



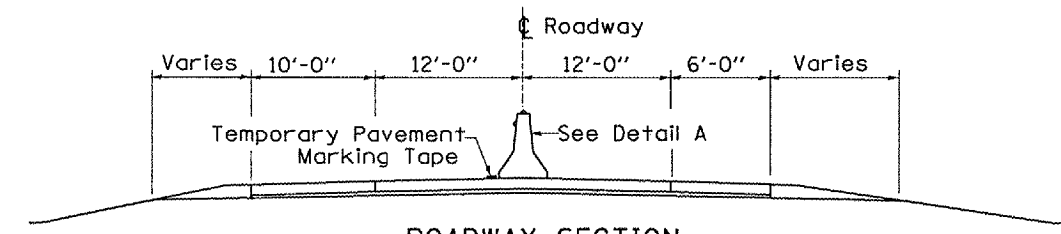
**LENGEND**

- Work Zone
- Type II barricade, drum or vertical barricade with steady burn monodirectional light
- Temporary concrete barrier
- Impact attenuator

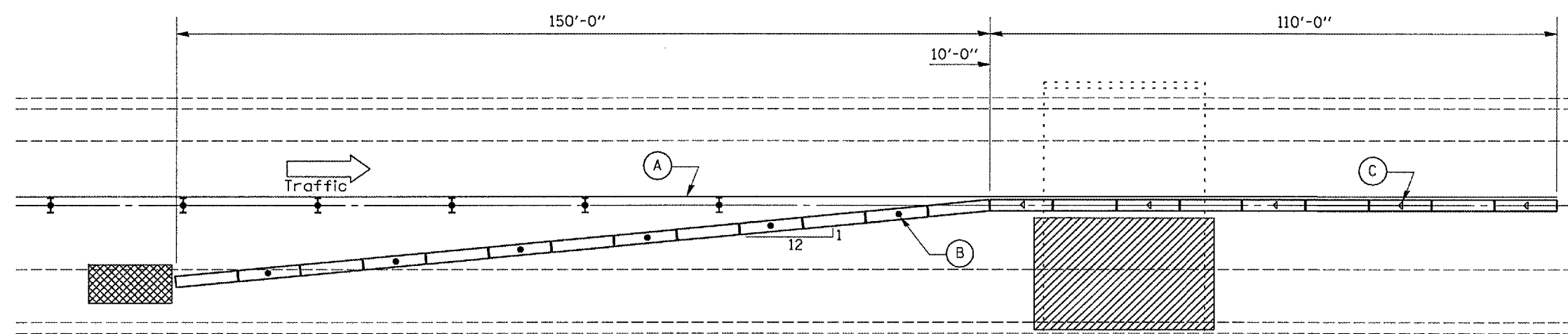
**PLAN VIEW  
PASSING LANE CLOSED**



**ROADWAY SECTION  
PASSING LANE CLOSED**



**ROADWAY SECTION  
DRIVING LANE CLOSED**



**PLAN VIEW  
DRIVING LANE CLOSED**

- (A) ReflectORIZED temporary pavement marking tape shall be placed throughout the taper and along side the work area. The edge line shall be white for right lane closure.
- (B) Vertical panels at 25' centers with steady burning
- (C) Type "C" monodirectional reflector

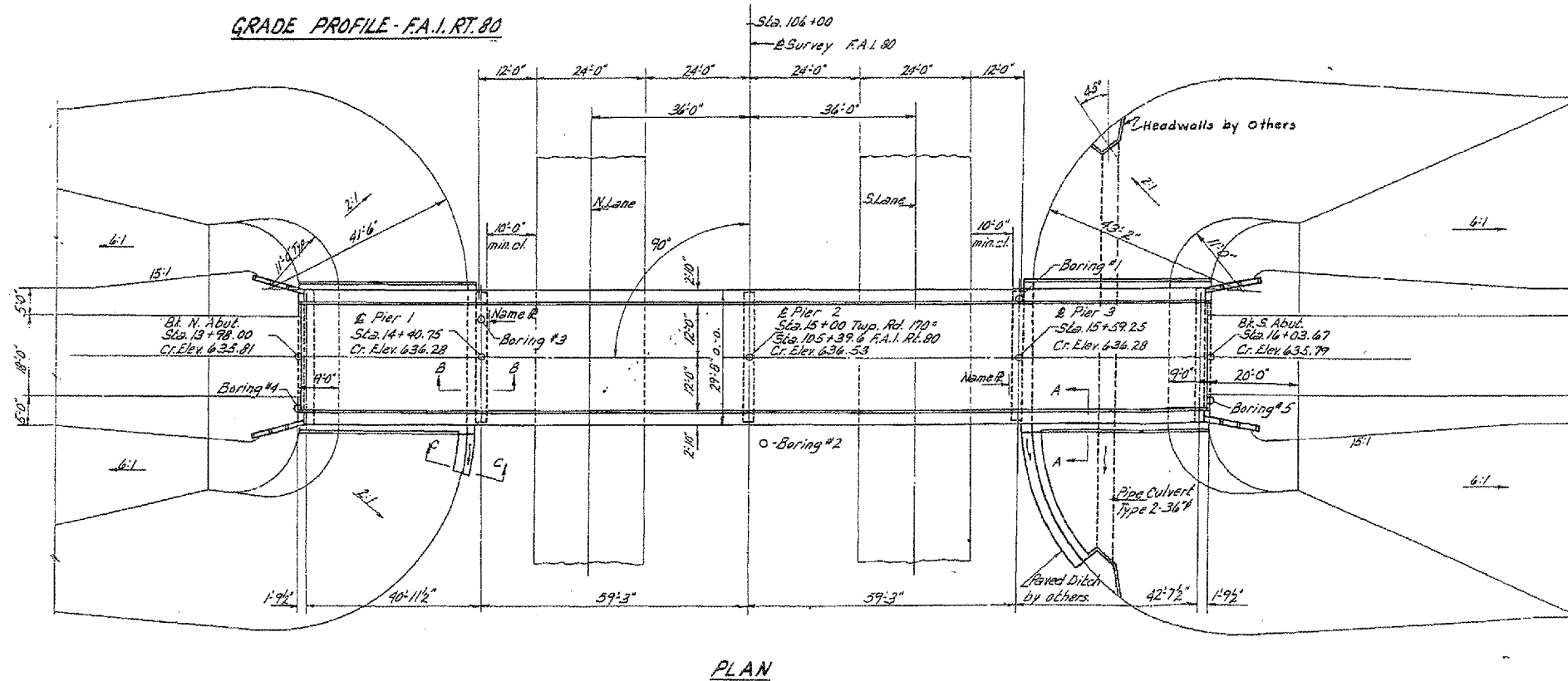
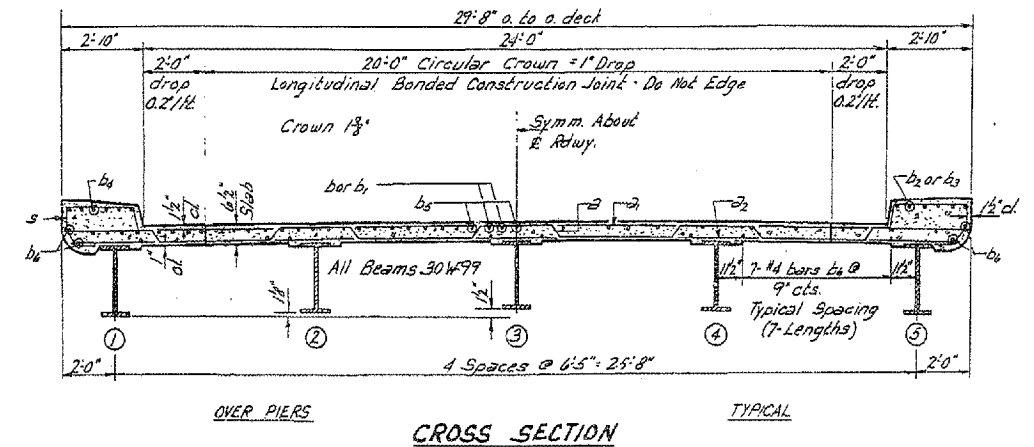
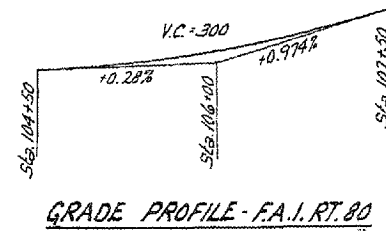
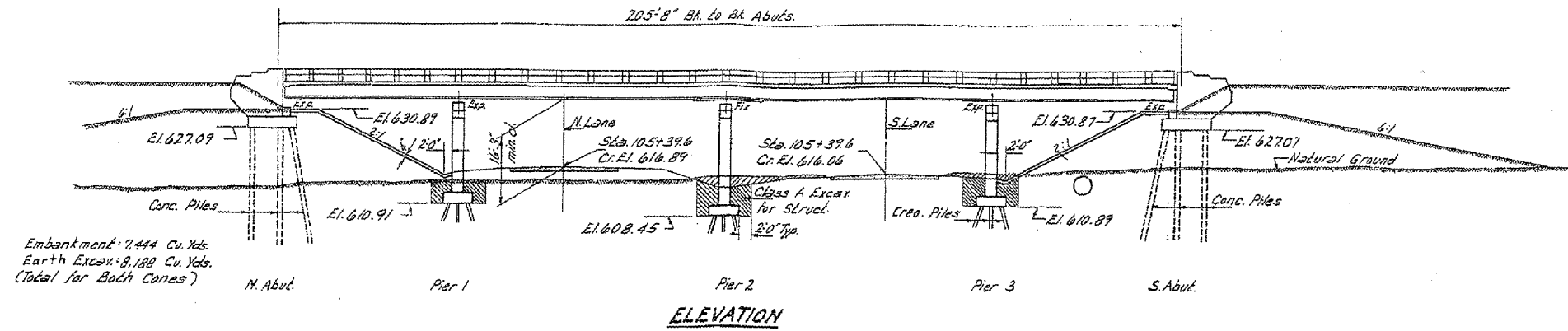
REVISIONS	
NAME	DATE

ILLINOIS DEPARTMENT OF TRANSPORTATION  
**TEMPORARY CONCRETE BARRIER DETAILS**  
 FAI ROUTE 80 (I-80) SECTION (50-3HB)BP  
 LASALLE COUNTY  
 SN 050-0127 (TR 170)

**Work this sheet with Traffic Control Standard 701402 (SPECIAL)**

Date: 03/12/2007 project: bridgepaint\_07/050-0127.dgn

F.A.I. RTE.	SECTION	COUNTY	TOTAL SHEETS	SHEET NO.
80	(50-3HB)BP	LASALLE	8	7



PLAN

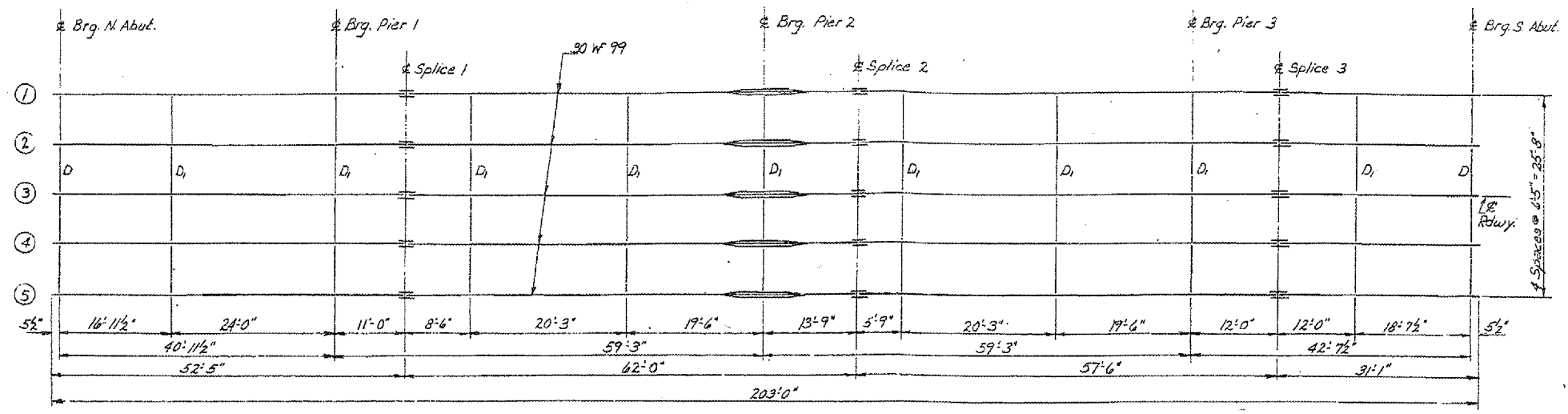
"FOR INFORMATION ONLY"

REVISIONS	
NAME	DATE

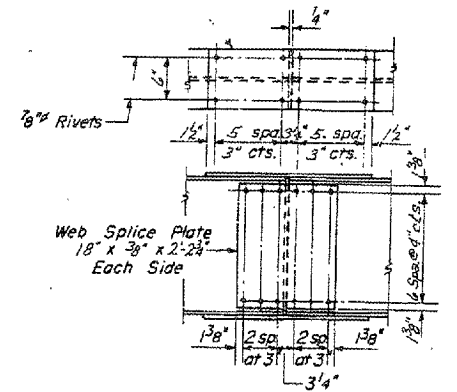
ILLINOIS DEPARTMENT OF TRANSPORTATION  
**EXISTING STRUCTURE PLANS**  
 FAI ROUTE 80 (I-80) SECTION (50-3HB)BP  
 LASALLE COUNTY  
 SN050-0127 (TR 170)

Date: 03/12/2007  
 project:cs/bridgepoint\_07/050-0127.dgn

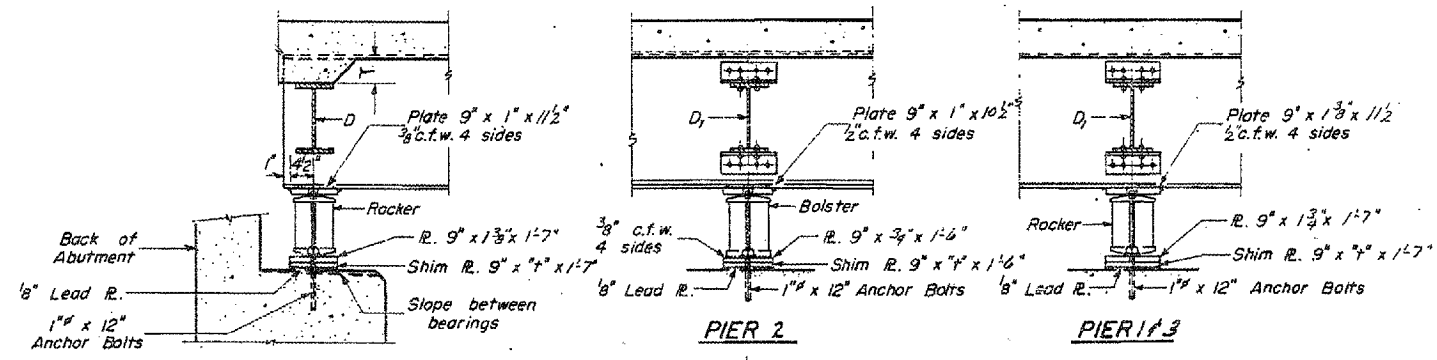
F.A.I. RTE.	SECTION	COUNTY	TOTAL SHEETS	SHEET NO.
80	(50-3HB)BP	LASALLE	8	8



**STEEL FRAMING PLAN**



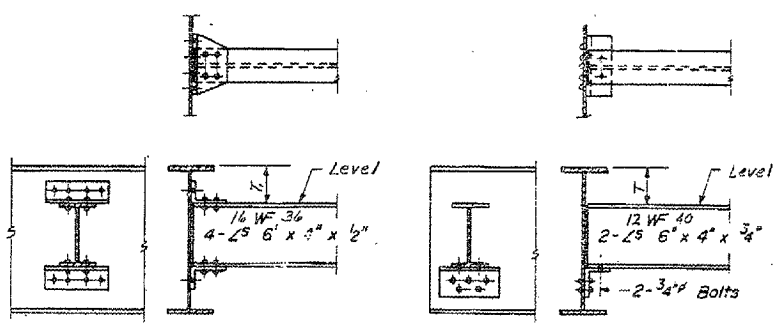
**DETAIL OF SPLICE**



**SECTION AT ABUTMENT**

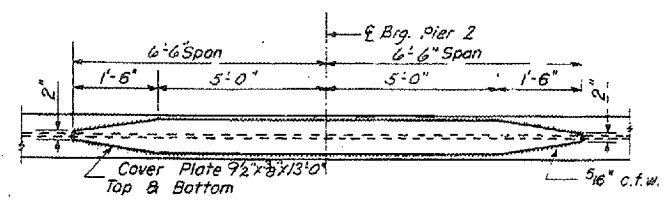
**PIER 2**

**PIER 1 & 3**

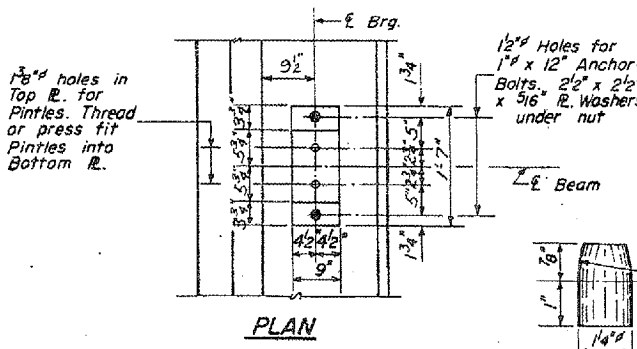


**INT. DIAPHRAGM D**  
36 Required

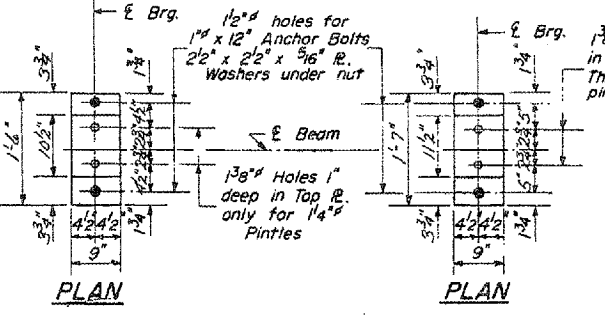
**END DIAPHRAGM D**  
8 Required



**DETAIL OF COVER PLATES**

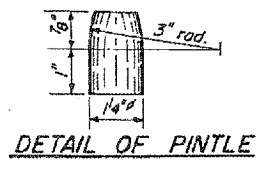


**PLAN**

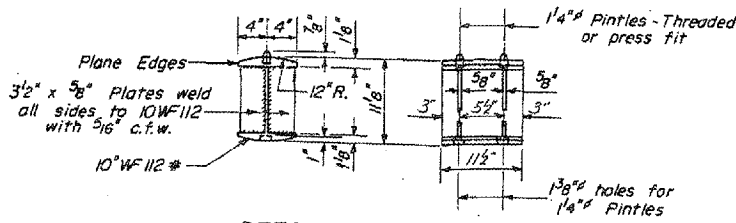


**PLAN**

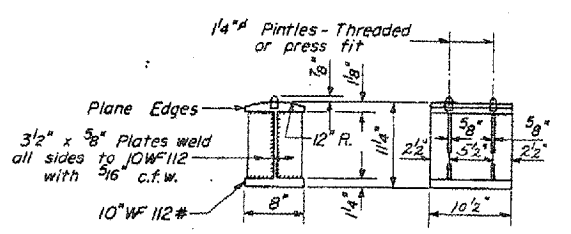
**PLAN**



**DETAIL OF PINTLE**



**DETAIL OF BEARING AT PIER 1, 3 & ABUTS.**  
20 - Required



**DETAIL OF BEARING AT PIER 2**  
5 - Required

REVISIONS	
NAME	DATE

ILLINOIS DEPARTMENT OF TRANSPORTATION  
**EXISTING STRUCTURE PLANS**  
 FAI ROUTE 80 (I-80) SECTION (50-3HB)BP  
 LASALLE COUNTY  
 SN 050-0127 (TR 170)

"FOR INFORMATION ONLY"

Date: 03/12/2007  
 project: bridgepaint\_07/050-0127.dgn