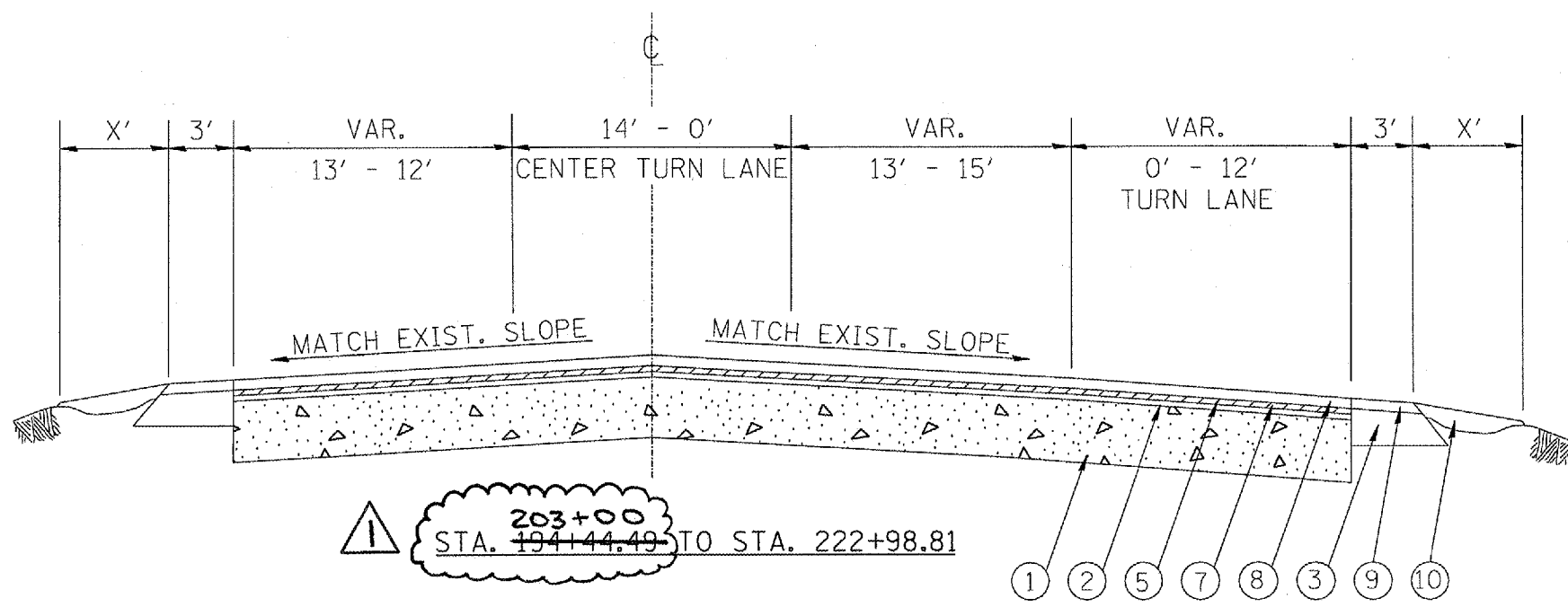


F.A.U. RTE.	SECTION	COUNTY	TOTAL SHEETS	SHEET NO.
35RS-5,36RS-B	TAZEWELL		90	22
STA.		TO STA.		
FED. ROAD DIST. NO.		ILLINOIS	FED. AID PROJECT	
• 6717 (BUS 24) & 6713 (IL 8)				



LEGEND

- ① EXISTING PAVEMENT
- ② EXISTING HMA OVERLAY
- ③ EXISTING HMA SHOULDERS
- ④ EXISTING AGGREGATE SHOULDERS
- ⑤ PROPOSED HMA SURFACE REMOVAL - 1/2"
- ⑥ PROPOSED HMA SURFACE REMOVAL - 1 1/2"
- ⑦ PROPOSED LEVELING BINDER (MACHINE METHOD) - 3/4"
- ⑧ PROPOSED HMA SURFACE COURSE - 1 1/2"
- ⑨ PROPOSED HMA SHOULDERS
- ⑩ PROPOSED AGGREGATE SHOULDERS

⚠ REVISION 6/1/07

REVISIONS	
NAME	DATE

ILLINOIS DEPARTMENT OF TRANSPORTATION
 EXISTING/PROPOSED
 TYPICAL SECTIONS
 F.A.U. 6713 (IL 8)

SCALE: VERT. NOT TO SCALE
 HORIZ. DATE DRAWN BY CHECKED BY