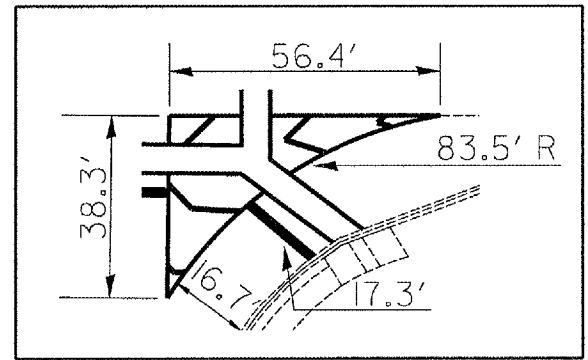
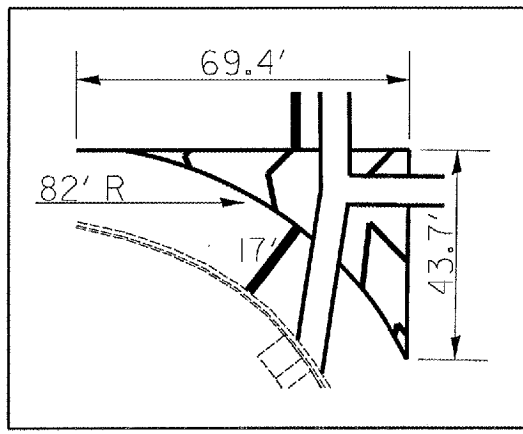
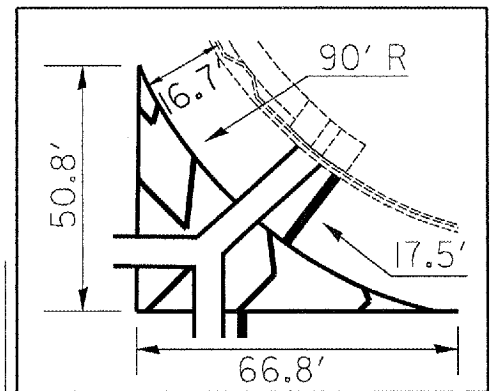
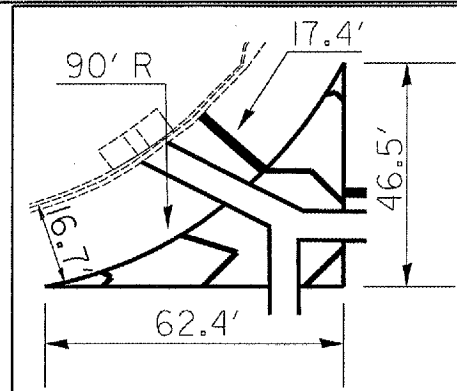
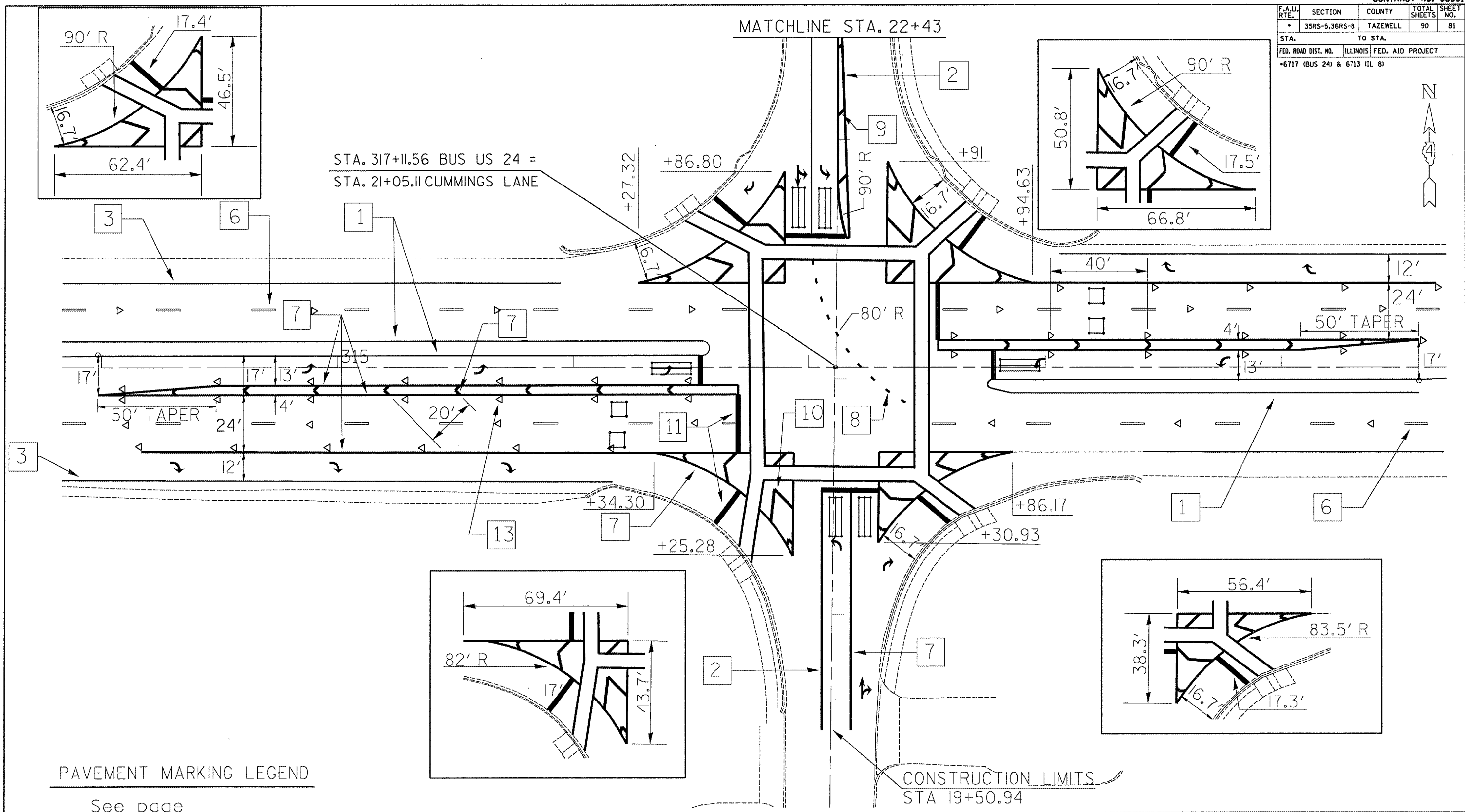


F.A.U. RTE.	SECTION	COUNTY	TOTAL SHEETS	SHEET NO.
35RS-5,36RS-8	TAZEWELL	90	81	
STA.		TO STA.		
FED. ROAD DIST. NO.	ILLINOIS	FED. AID PROJECT		
+6717 (BUS 24) & 6713 (IL 8)				



MATCHLINE STA. 22+43

STA. 317+11.56 BUS US 24 =  
STA. 21+05.11 CUMMINGS LANE



PAVEMENT MARKING LEGEND  
See page

CONSTRUCTION LIMITS  
STA 19+50.94



REVISIONS	
NAME	DATE

ILLINOIS DEPARTMENT OF TRANSPORTATION  
**CUMMINGS LN.  
STRIPING**  
SCALE: VERT. \_\_\_\_\_  
HORIZ. \_\_\_\_\_  
DATE \_\_\_\_\_  
DRAWN BY \_\_\_\_\_  
CHECKED BY \_\_\_\_\_

PLOT DATE = 4/4/2007  
FILE NAME = c:\projects\bus24\constr\plan.dgn  
PLOT SCALE = 48,000 / IN.  
USER NAME = klimek