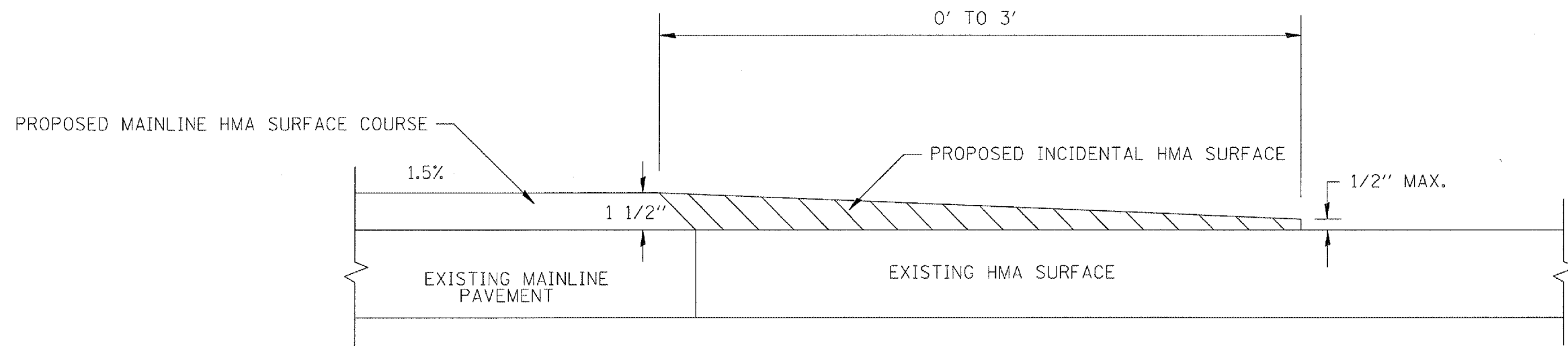


F.A.U. RTE.	SECTION	COUNTY	TOTAL SHEETS	SHEET NO.
*	35RS-5,36RS-8	TAZEWELL	90	88
STA.		TO STA.		
FED. ROAD DIST. NO.		ILLINOIS	FED. AID PROJECT	
*6717 (BUS 24) & 6713 (IL 8)				



ENTRANCES AND MAILBOX TURNOUTS

PLOT DATE = 6/4/2007
 FILE NAME = c:\projects\68351\68351\consult\plan.dgn
 PLOT SCALE = 1/8"=1'-0"
 USER NAME = k1jmarkk

ILLINOIS DEPARTMENT OF TRANSPORTATION

ENTRANCES AND MAILBOX TURNOUTS

SCALE: VERT. NOT TO SCALE
 HORIZ. NOT TO SCALE

DATE: _____ DRAWN BY: _____
 CHECKED BY: _____