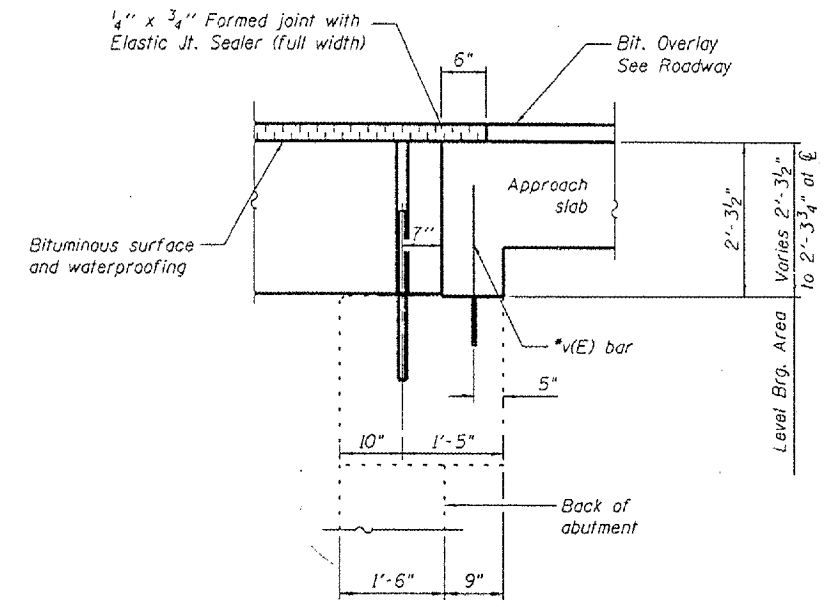
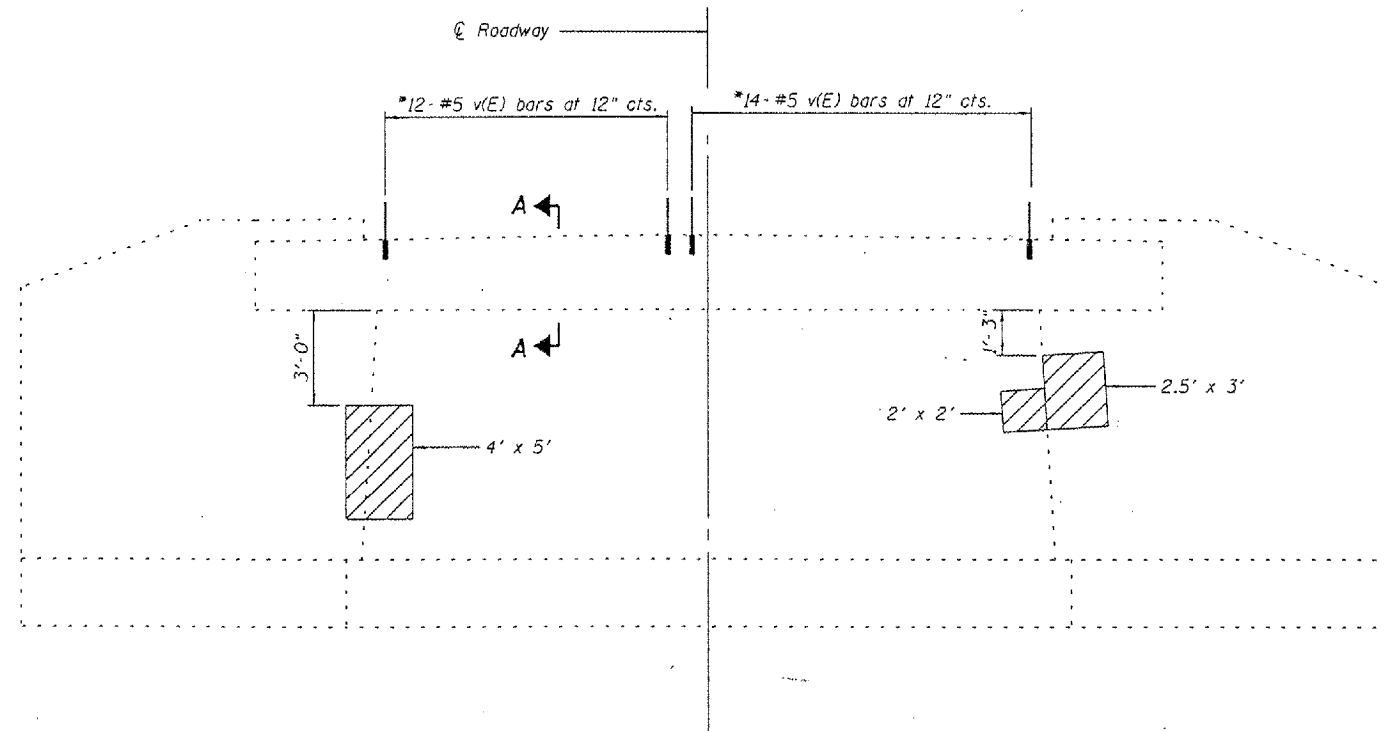


STATE OF ILLINOIS
DEPARTMENT OF TRANSPORTATION

ROUTE NO.	SECTION	COUNTY	DATE	SHEET	SHEET NO. 12
F.A.P. 693	119B-311	TAZEWELL	33	21	14 SHEETS
FED. ROAD DIST. NO. 7	CLIMAX	FED. ROAD PROJECT			

Contract #



LEGEND

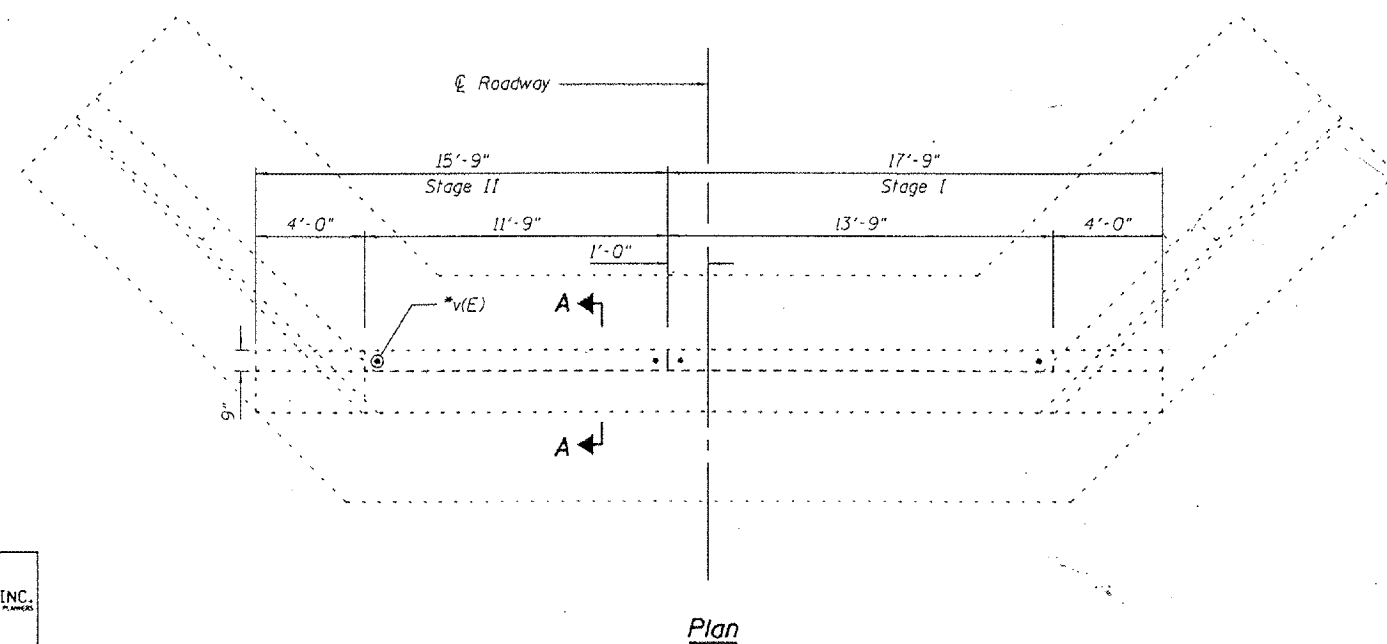
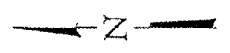
- Structural Repair of Concrete

Elevation-East Abutment
(LOOKING EAST)

* Epoxy grout v(E) bars in 9" (Min.) drilled holes according to Section 584 of the Standard Specification

BILL OF MATERIAL

Bar	No.	Size	Length	Shape
v(E)	26	#5	2'-0"	—
Reinforcement Bars, Epoxy Coated			Pound	50
Structural Repair of Concrete (Depth Equal to or Less Than 5")			Sq. Ft.	31.5



Plan

DESIGNED BWP	THOUVENOT, WADE & MOERCHEN, INC. CORPORATE OFFICE 4940 OLD COLLINGSVILLE RD. SPRINGFIELD, ILLINOIS 62206 TEL: (618) 521-1100 FAX: (618) 521-1688 E-MAIL: SWP@TWM-INC.COM
CHECKED KPC	
DRAWN BWP	
CHECKED KPC	

**EAST ABUTMENT
CONCRETE REPAIR
ILLINOIS ROUTE 9 OVER
PRAIRIE CREEK
F.A.P. ROUTE 693 SECTION (119B-311)
TAZEWELL COUNTY
SN 090-0061**