

ROUTE NO.	SECTION	COUNTY	TOTAL SHEETS	SHEET NO.
F.A.P. 693	*	TAZEWELL	33	33
FED. ROAD DIST. NO. 4		ILLINOIS	FED. AID PROJECT	

* (119B-3)I

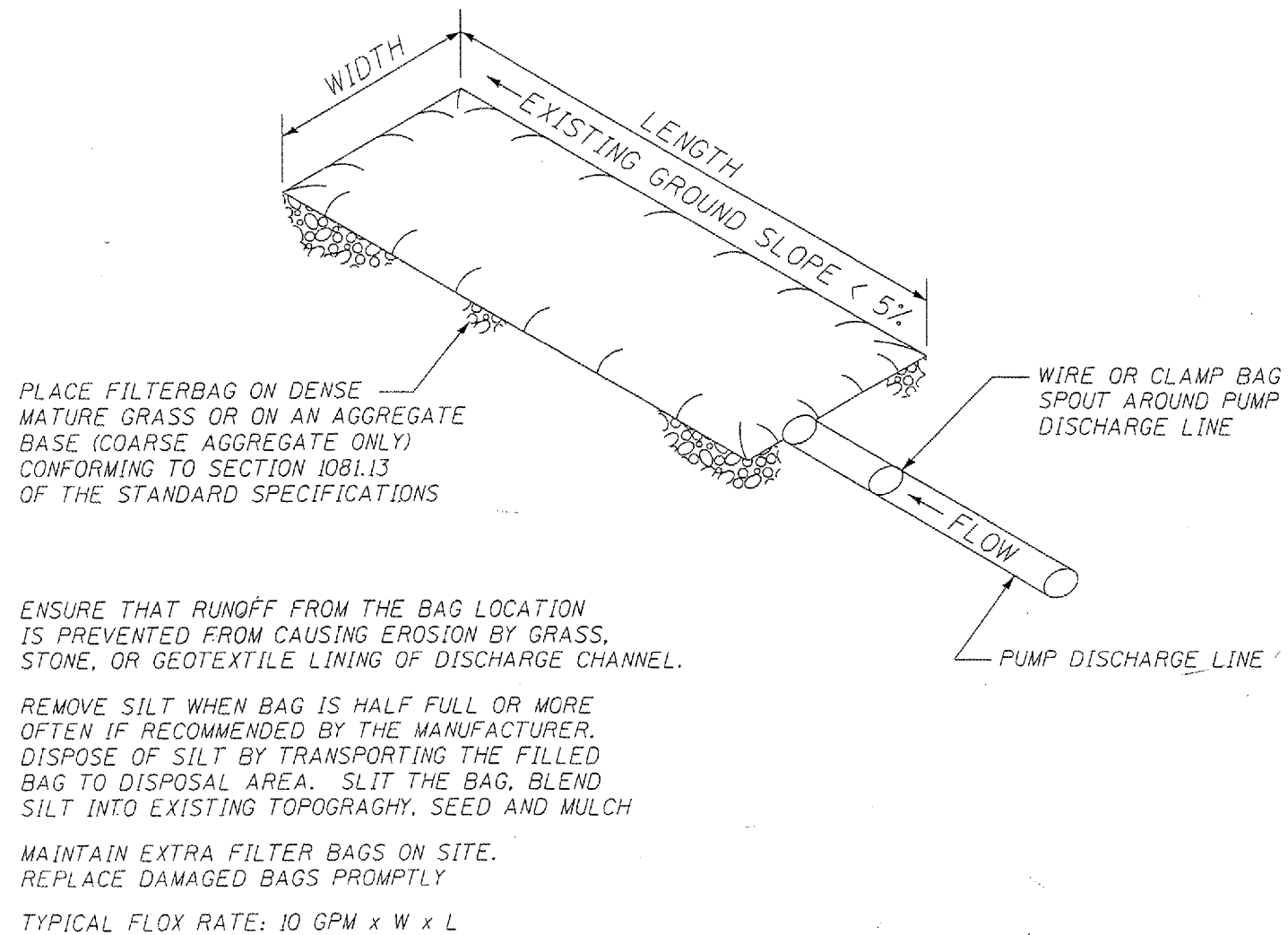


FIGURE S1. SEDIMENT FILTER BAG

NOTE: DEWATERING SYSTEM DETAILS SHALL BE USED IN CONJUNCTION WITH THE PROJECT SPECIAL PROVISIONS.

ILLINOIS DEPARTMENT OF TRANSPORTATION
 DEWATERING SYSTEM DETAILS
 S.N. 090-0061
 IL 9 OVER PRAIRIE CREEK