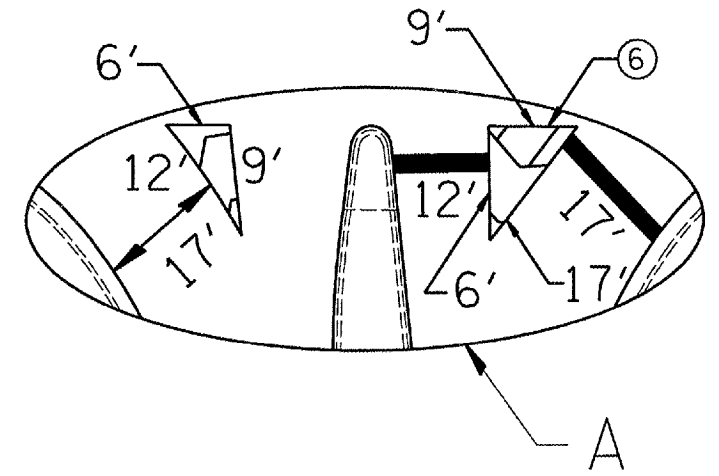


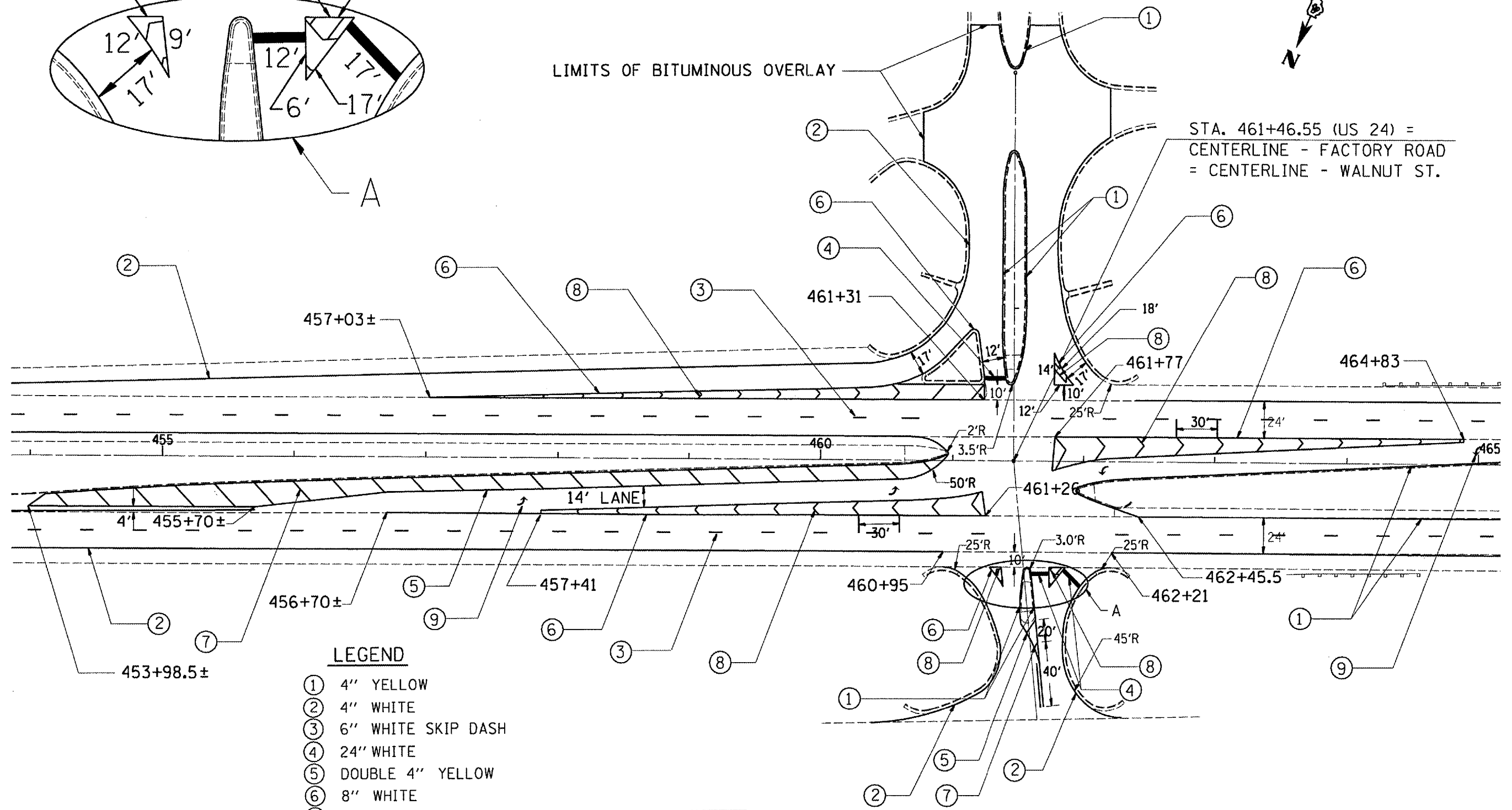
F.A.P. RTE.	SECTION	COUNTY	TOTAL SHEETS	SHEET NO.
317	(44-45RS-5, 46-1RS-7, 45-OR, RB-2, BR1)	PEORIA	82	36
FED. ROAD DIST. NO.	ILLINOIS	FED. AID PROJECT		



LIMITS OF BITUMINOUS OVERLAY

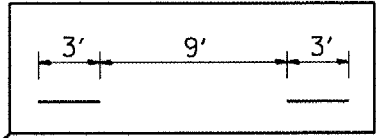


STA. 461+46.55 (US 24) =
CENTERLINE - FACTORY ROAD
= CENTERLINE - WALNUT ST.



LEGEND

- ① 4" YELLOW
- ② 4" WHITE
- ③ 6" WHITE SKIP DASH
- ④ 24" WHITE
- ⑤ DOUBLE 4" YELLOW
- ⑥ 8" WHITE
- ⑦ 12" YELLOW
- ⑧ 12" WHITE
- ⑨ 8' TURN ARROW
- ⑩ 6" YELLOW
- ⑪ 6" WHITE
- ⑫ 8" WHITE SKIP DASH



ILLINOIS DEPARTMENT OF TRANSPORTATION
PAVEMENT MARKING DETAIL
FACTORY ROAD / WALNUT STREET
US 24 (FAP 317)

DATE _____ DRAWN BY _____ CHECKED BY _____