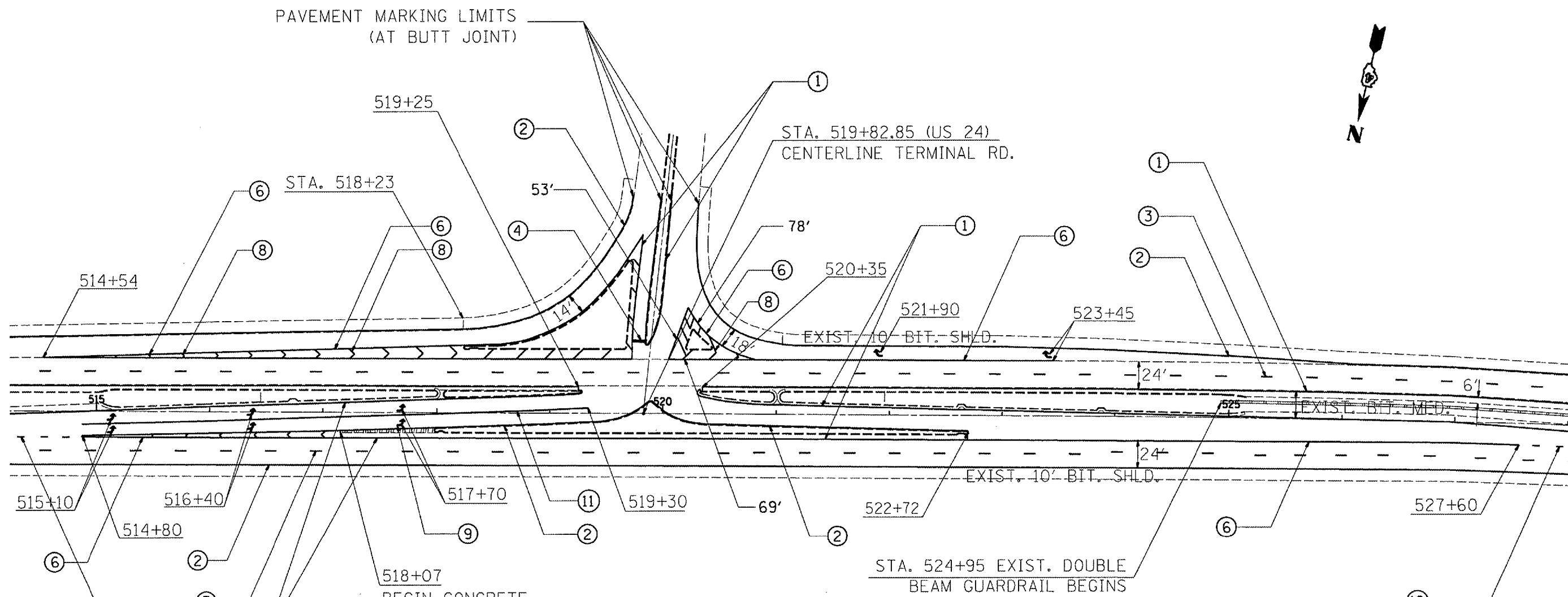
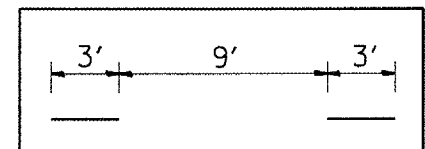


CONTRACT NO. 68456				
F.A.P. RTE.	SECTION	COUNTY	TOTAL SHEETS	SHEET NO.
317	(44-45RS-5, 46-1RS-7, 45-RB-RB-2, BR1)	PEORIA	82	37
FED. ROAD DIST. NO.	ILLINOIS	FED. AID PROJECT		



LEGEND

- ① 4" YELLOW
- ② 4" WHITE
- ③ 6" WHITE SKIP DASH
- ④ 24" WHITE
- ⑤ DOUBLE 4" YELLOW
- ⑥ 8" WHITE
- ⑦ 12" YELLOW
- ⑧ 12" WHITE
- ⑨ 8' TURN ARROW
- ⑩ 6" YELLOW
- ⑪ 6" WHITE
- ⑫ 8" WHITE SKIP DASH



ILLINOIS DEPARTMENT OF TRANSPORTATION

PAVEMENT MARKING DETAIL
TERMINAL ROAD
KINGSTON MINES

DATE _____ DRAWN BY _____ CHECKED BY _____

PLOT DATE = 08-07-06
 FILE NAME = D:\main\CADD\11a.dgn