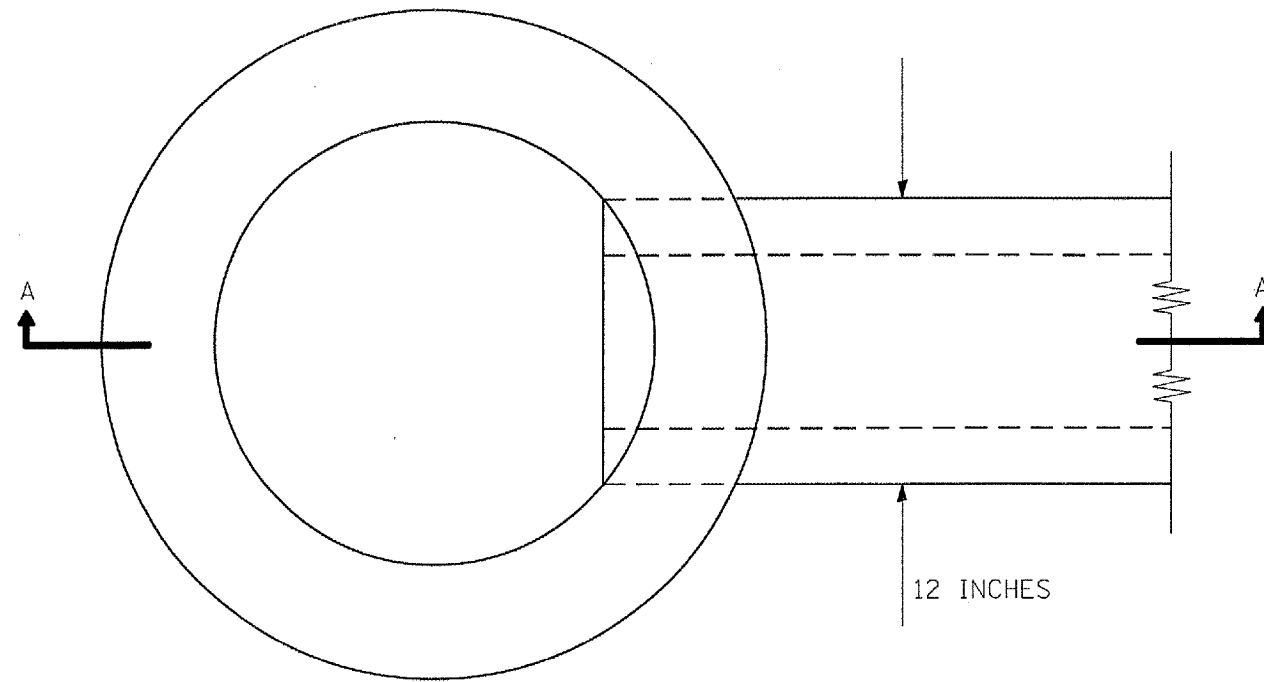
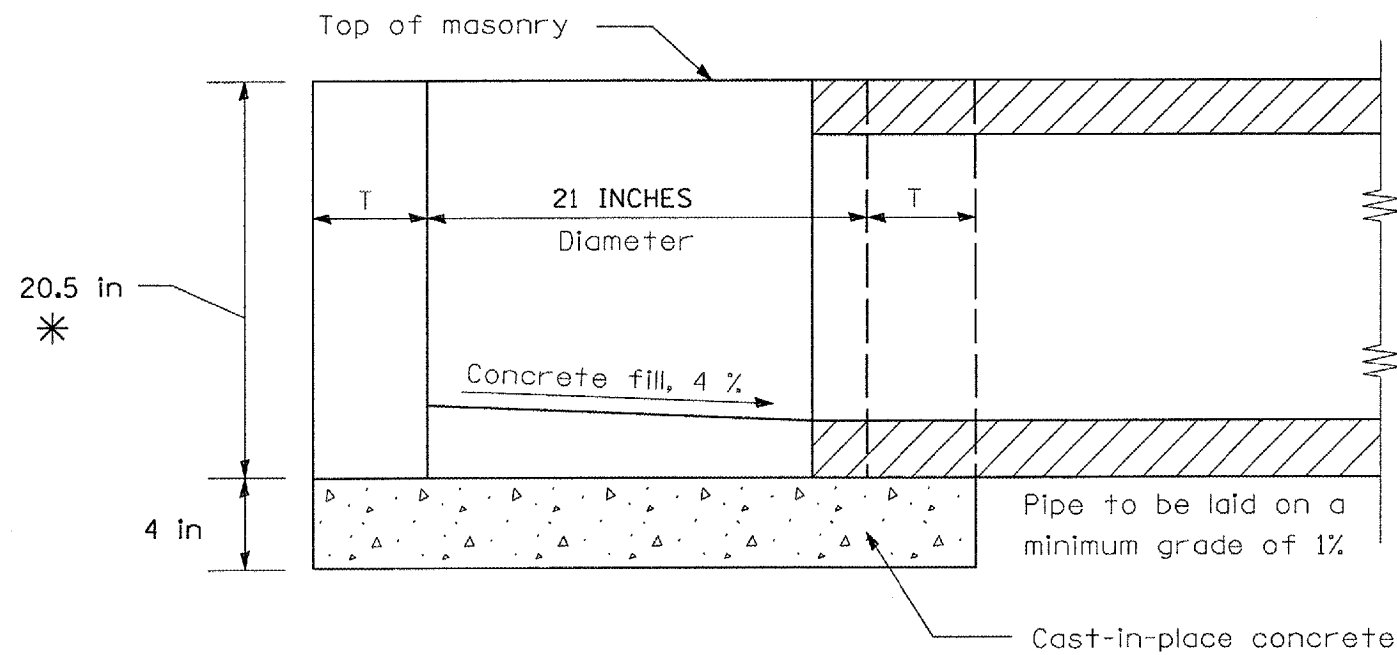


F.A.P. RTE.	SECTION	COUNTY	TOTAL SHEETS	SHEET NO.
317	(44,45) RS-5, (46-1) RS-7, 45-(RB, RB-2, BR)I	PEORIA	82	72



PLAN



SECTION A-A

* NOTE: EXISTING INLET IS APPROXIMATELY 24 INCHES FROM INVERT OF OUTLET PIPE TO TOP OF GRATE

ILLINOIS DEPARTMENT OF TRANSPORTATION

INLET - TYPE A
DETAIL

DATE: 06/05/2006
SCALE: NOT TO SCALE

DRAWN BY DBB
CHECKED BY CEM