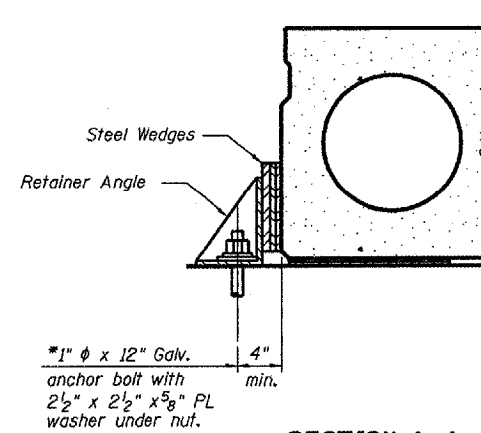


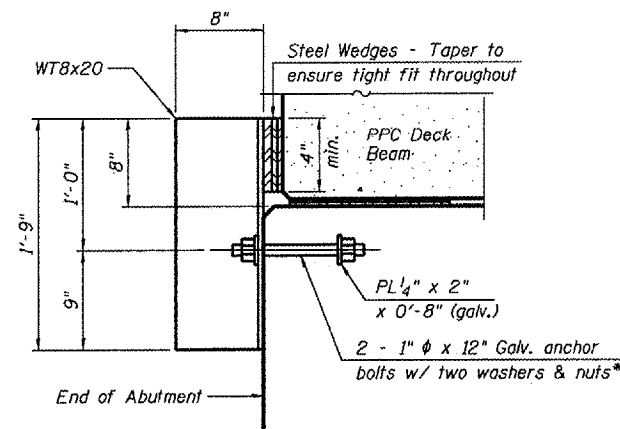
STATE OF ILLINOIS
DEPARTMENT OF TRANSPORTATION

ROUTE NO. F.A.P. 317	SECTION (48B)I	COUNTY PEORIA	SHEETS 29	SHEET 17	SHEET NO. 5 16 SHEETS
FED. ROAD DIST. NO. ?		ILLINOIS	FED. AID PROJECT		

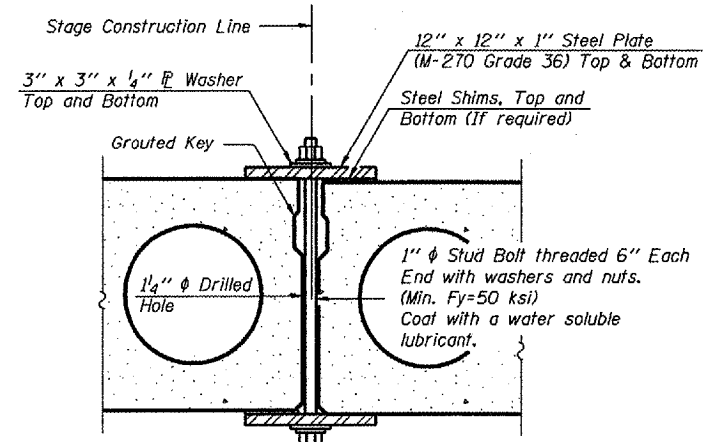
D-94-062-05



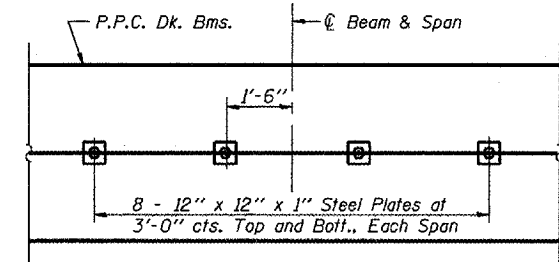
SECTION A-A



SECTION B-B



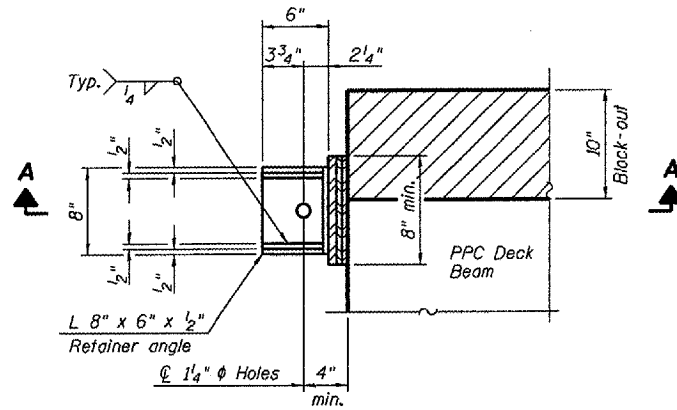
SECTION



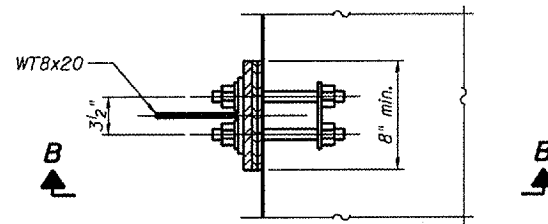
PLAN

SHEAR KEY CLAMPING DETAILS AT STAGE CONST. JT.

See Special Provisions for Stage Construction of Precast Prestressed Concrete Deck Beams. Cost Included with "Precast Prestressed Concrete Deck Beams". See Stage Construction Details for traffic lanes.



RETAINER ANGLE PLAN



ALTERNATE RETAINER ANGLE PLAN

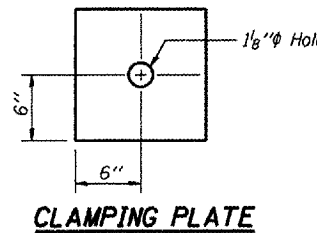
Similar Retainer Detail may be required under median if utilities conflict with installation of an angle retainer.

RETAINER ANGLE DETAILS AT EXPANSION JOINT

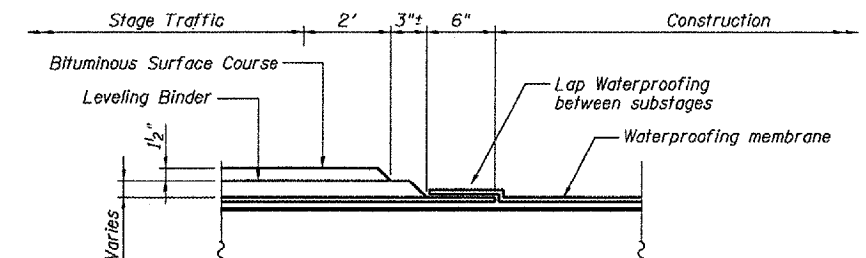
* Anchor bolts may be cast into the concrete or approved threaded rod may be placed in drilled holes and grouted in place. Cost of retainer, all steel wedges, and accessories are included with Precast Prestressed Concrete Deck Beams.

Note:

After block-outs are poured and cured, the retainer angles shall be removed. Anchor bolts for outside retainer angles may be left in place. For temporary inside retainer angles, remove retainer angle, burn off anchor bolts flush with cap, grind smooth, and seal with epoxy prior to placement of Stage 2 and Stage 3 PPC Deck Beams.



CLAMPING PLATE



LAP DETAIL FOR BITUMINOUS SURFACE

DESIGNED -
CHECKED -
DRAWN -
CHECKED -

STAGING DETAILS
F.A.P. 317 (U.S. RTE. 24)
STRUCTURE 072-0134
PEORIA COUNTY, ILLINOIS
STATION 187+10.02