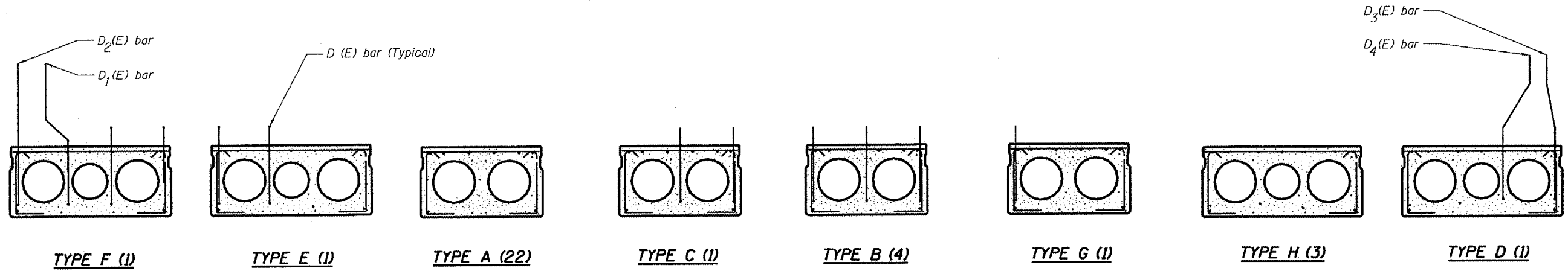


STATE OF ILLINOIS
DEPARTMENT OF TRANSPORTATION

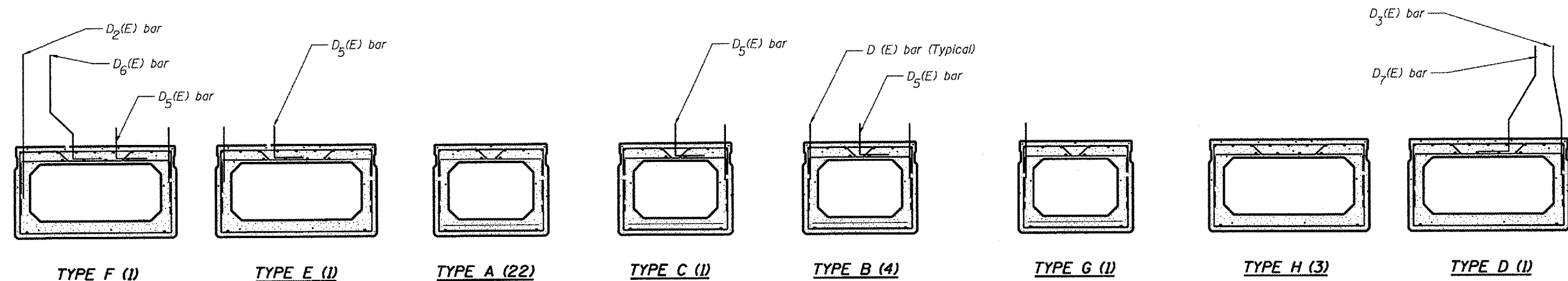
ROUTE NO. F.A.P. 317	SECTION (488)	COUNTY PEORIA	SHEET 29	DATE 23
FED. ROAD DIST. NO. 7		ILLINOIS FED. AID PROJECT		

SHEET NO. 11
16 SHEETS

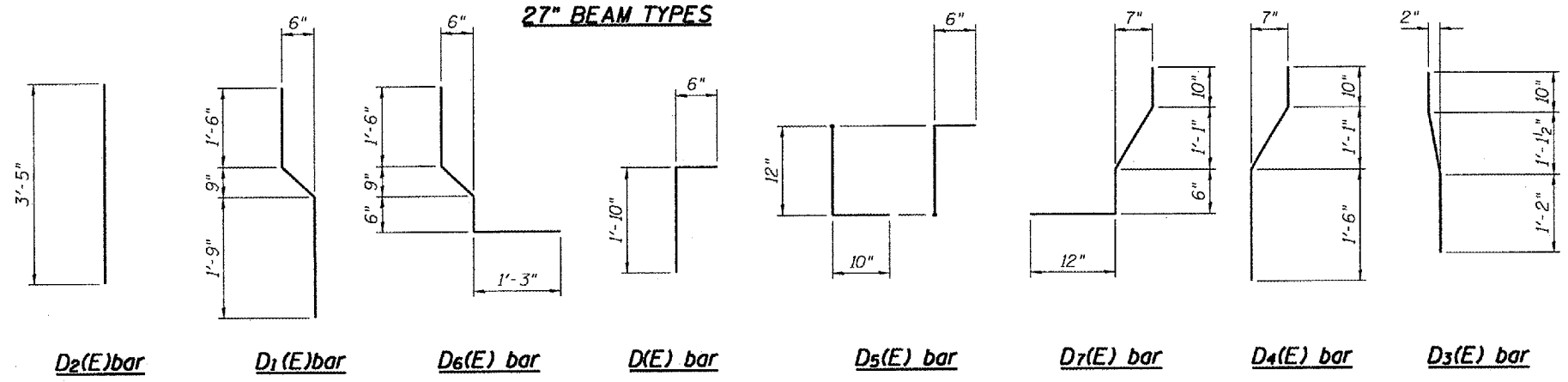
D-94-062-05



21" BEAM TYPES



27" BEAM TYPES



BEAM TYPES
F.A.P. 317 (U.S. RTE. 24)
STRUCTURE 072-0134
PEORIA COUNTY, ILLINOIS
STATION 187+10.02

DESIGNED	- JRG
CHECKED	- JFS
DRAWN	- ACJ
CHECKED	- JRG/JFS

PD-3-S