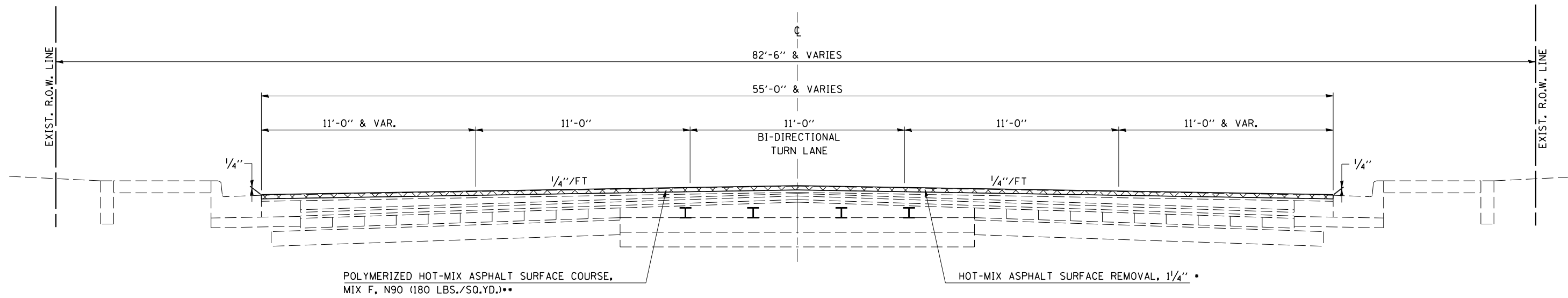


F.A.P. RTE.	SECTION	COUNTY	TOTAL SHEETS	SHEET NO.
332		VERMILION	62	25

• (47Z-3)RS-1 & (52CS,48Z-1)RS-3
CONTRACT NO. 70185

7 PROPOSED TYPICAL CROSS SECTION

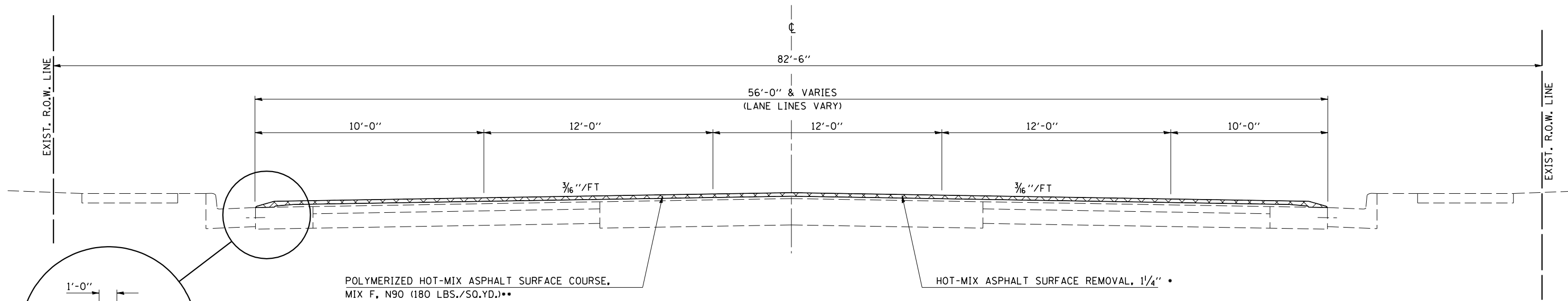
⑥ STA 100+00.00 TO STA 124+63.10 (VERMILION ST.) ⑧



- THE POLYMERIZED HOT-MIX ASPHALT SURFACE COURSE, MIX F, N90 HAS BEEN CALCULATED AT 120 LB/SQ.YD./IN.
- THE MILLING SHOULD BEGIN AT THE E.O.P. MILL 1/4" DOWN AND CARRY THE SLOPE OF 1/4"/FT TOWARDS CENTERLINE.

8 PROPOSED TYPICAL CROSS SECTION

⑦ STA 124+63.10 TO STA 129+16.10 (VERMILION ST.) ⑨



- THE POLYMERIZED HOT-MIX ASPHALT SURFACE COURSE, MIX F, N90 HAS BEEN CALCULATED AT 120 LB/SQ.YD./IN.
- THE MILLING SHOULD BEGIN AT THE E.O.P. MILL 1/4" DOWN AND CARRY THE SLOPE OF 1/4"/FT TOWARDS CENTERLINE.