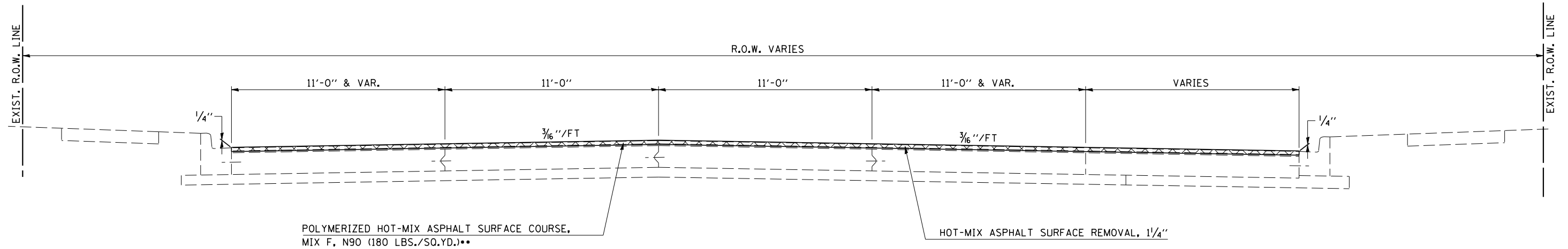


F.A.P. RTE.	SECTION	COUNTY	TOTAL SHEETS	SHEET NO.
332	.	VERMILION	62	27

• (47Z-3)RS-1 & (52CS,48Z-1)RS-3
CONTRACT NO. 70185

PROPOSED TYPICAL CROSS SECTION

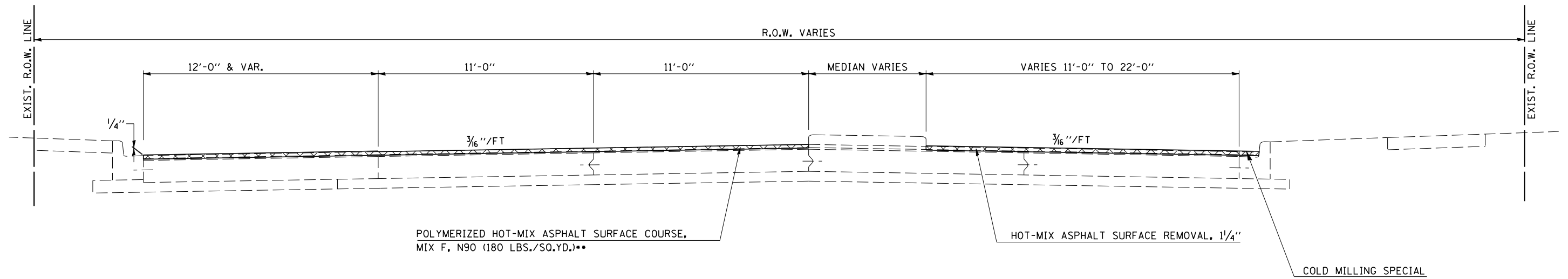
STA 188+46.00 TO STA 189+53.00 (MAIN ST.)



•• THE POLYMERIZED HOT-MIX ASPHALT SURFACE COURSE, MIX F, N90 HAS BEEN CALCULATED AT 120 LB/SQ.YD./IN.

PROPOSED TYPICAL CROSS SECTION

STA 190+45.00 TO STA 195+57.00 (MAIN ST.)
(STA 100+02.9 GILBERT ST. = STA 190+00.0 MAIN ST.)



•• THE POLYMERIZED HOT-MIX ASPHALT SURFACE COURSE, MIX F, N90 HAS BEEN CALCULATED AT 120 LB/SQ.YD./IN.