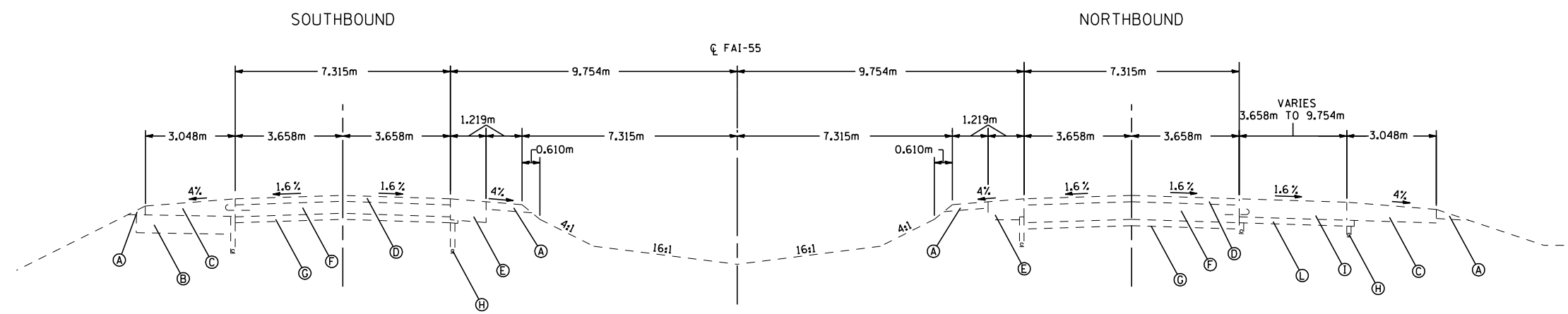
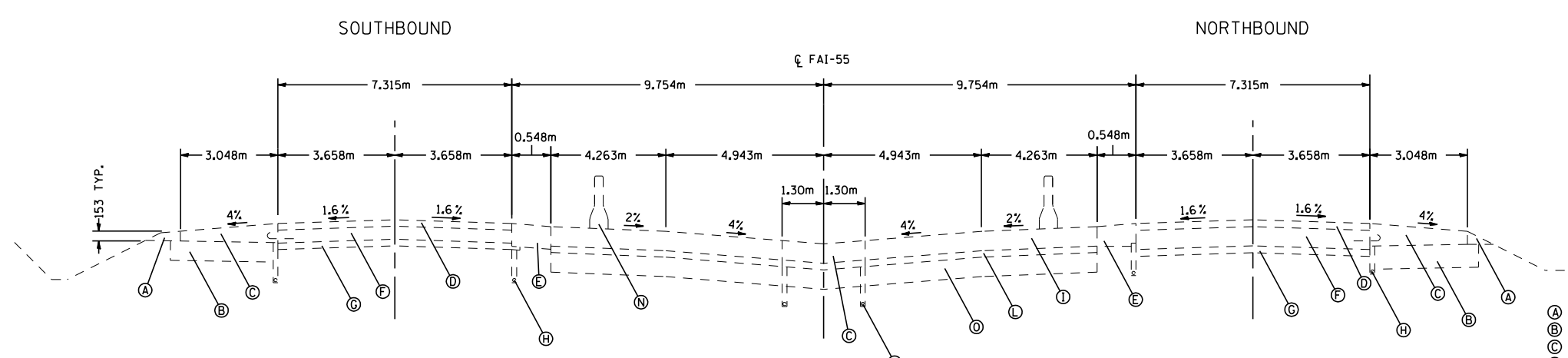


F.A. RTE.	SECTION	COUNTY	TOTAL SHEETS	SHEET NO.
55	•	McCLEAN	40	5
STA.		TO STA.		
FED. ROAD DIST. NO.		ILLINOIS FED. AID PROJECT		
• (57-4)RS-3 & I				



TYPICAL SECTION
STA. 36+500 TO STA. 36+630.189 N.B. & S.B.



TYPICAL SECTION
STA. 36+305 TO STA. 36+500 N.B. & S.B.

- (A) AGGREGATE SHOULDER, TYPE B
- (B) LIME MODIFIED SOIL, 305 mm
- (C) P.C.C. SHOULDERS, 305 mm
- (D) HOT MIX ASPHALT OVERLAY, 108 mm & VARIES
- (E) HOT MIX ASPHALT SHOULDERS
- (F) P.C.C. PAVEMENT, 254 mm
- (G) SUB-BASE GRANULAR MATERIAL, 153 mm
- (H) SUB-SURFACE DRAINAGE SYSTEM
- (I) P.C.C. PAVEMENT, 305 mm
- (J) P.C.C. SHOULDER, 273 mm
- (K) P.C.C. PAVEMENT, 273 mm
- (L) STABILIZED SUB-BASE, 102 mm
- (M) P.C.C. APPROACH SLAB, 305 mm
- (N) DOUBLE FACED CONCRETE BARRIER
- (O) POROUS GRANULAR EMBANKMENT, SUBGRADE 300 mm

EXISTING TYPICAL SECTIONS
FAI 55 (I-55)
SECTION (57-4)RS-3 & I
McCLEAN COUNTY