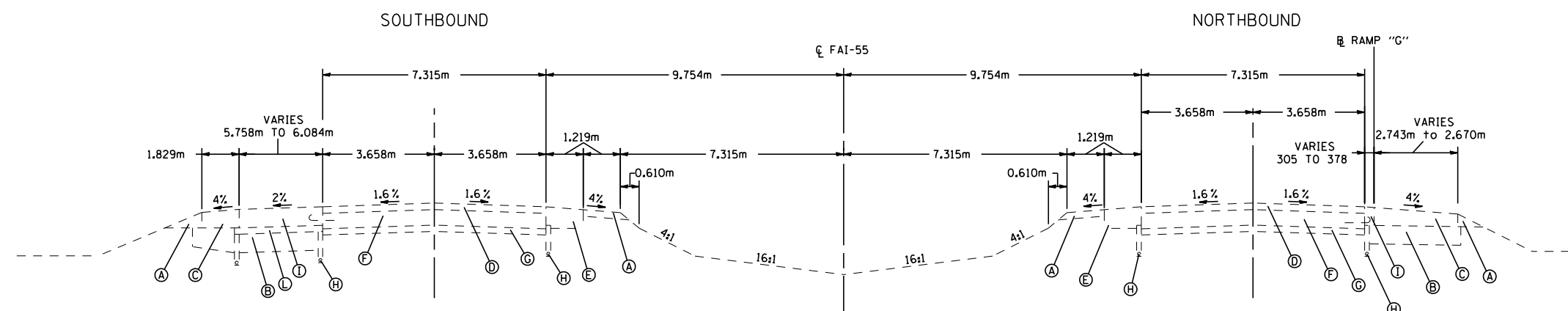
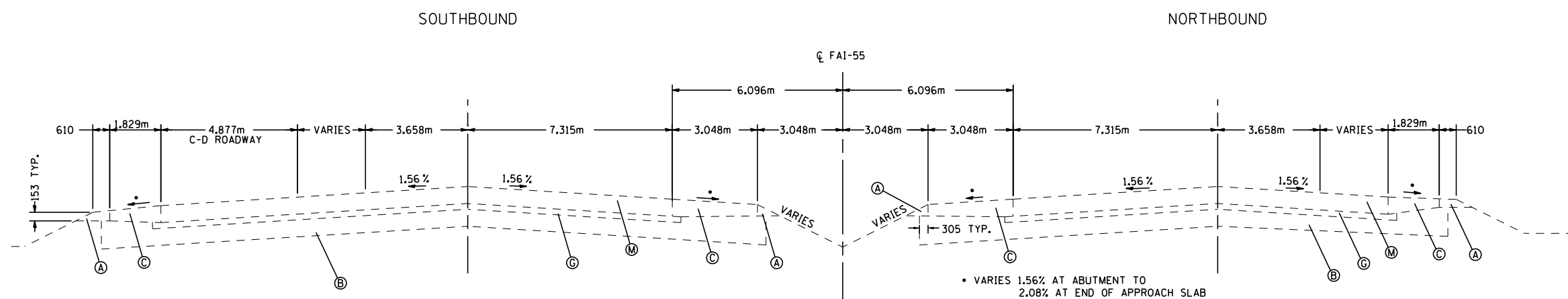


F.A. RTE.	SECTION	COUNTY	TOTAL SHEETS	SHEET NO.
55		McCLEAN	40	11
STA.		TO STA.		
FED. ROAD DIST. NO.		ILLINOIS FED. AID PROJECT		
• (57-4)RS-3 & I				



TYPICAL SECTION  
 STA. 38+317.995 TO STA. 38+321.655 N.B.  
 STA. 38+315.520 TO STA. 38+321.655 S.B.



TYPICAL SECTION  
 STA. 38+210.808 TO STA. 38+241.288 AND STA. 38+287.515 TO STA. 38+317.995 N.B.  
 STA. 38+208.333 TO STA. 38+238.813 AND STA. 38+285.040 TO STA. 38+315.520 S.B.  
 ( BRIDGE OMISSION STA. 38+241.288 TO STA. 38+287.515 N.B. )  
 STA. 38+238.813 TO STA. 38+285.040 S.B.

- (A) AGGREGATE SHOULDER, TYPE B
- (B) LIME MODIFIED SOIL, 305 mm
- (C) P.C.C. SHOULDERS, 305 mm
- (D) HOT MIX ASPHALT OVERLAY, 108 mm & VARIES
- (E) HOT MIX ASPHALT SHOULDERS
- (F) P.C.C. PAVEMENT, 254 mm
- (G) SUB-BASE GRANULAR MATERIAL, 153 mm
- (H) SUB-SURFACE DRAINAGE SYSTEM
- (I) P.C.C. PAVEMENT, 305 mm
- (J) P.C.C. SHOULDER, 273 mm
- (K) P.C.C. PAVEMENT, 273 mm
- (L) STABILIZED SUB-BASE, 102 mm
- (M) P.C.C. APPROACH SLAB, 305 mm
- (N) DOUBLE FACED CONCRETE BARRIER
- (O) POROUS GRANULAR EMBANKMENT, SUBGRADE 300 mm

EXISTING TYPICAL SECTIONS  
 FAI 55 (I-55)  
 SECTION (57-4)RS-3 & I  
 McCLEAN COUNTY