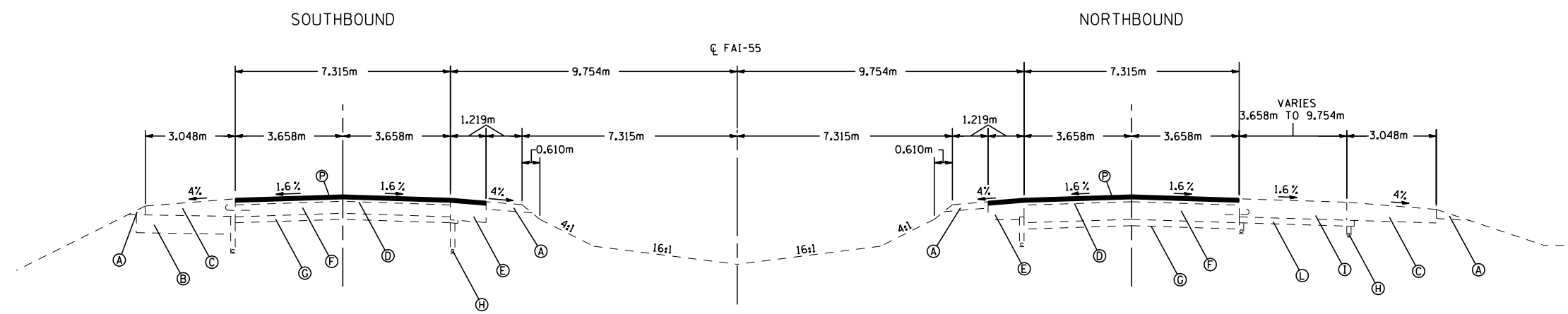
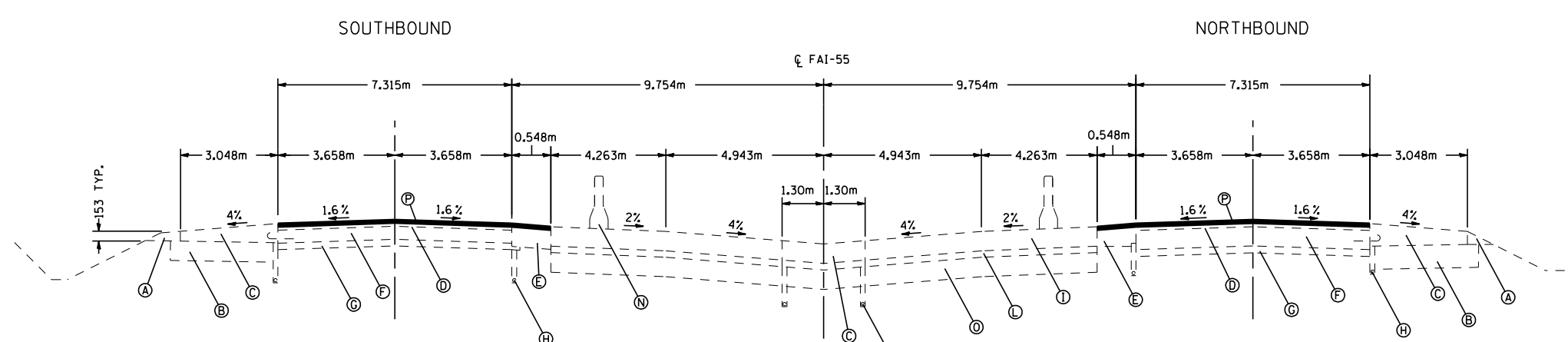


F.A. RTE.	SECTION	COUNTY	TOTAL SHEETS	SHEET NO.
55	•	McCLEAN	40	14
STA.		TO STA.		
FED. ROAD DIST. NO.	ILLINOIS FED. AID PROJECT			
• (57-4)RS-3 & I				



TYPICAL SECTION  
STA. 36+500 TO STA. 36+630.189 N.B. & S.B.



TYPICAL SECTION  
STA. 36+305 TO STA. 36+500 N.B. & S.B.

Ⓟ HOT MIX ASPHALT SURFACE REMOVAL 35 mm AND  
POLYMERIZED HOT MIX ASPHALT SURFACE  
COURSE, MIX E, N105 38 mm

- Ⓐ EXISTING AGGREGATE SHOULDER, TYPE B
- Ⓑ EXISTING LIME MODIFIED SOIL, 305 mm
- Ⓒ EXISTING P.C.C. SHOULDERS, 305 mm
- Ⓓ EXISTING HOT MIX ASPHALT OVERLAY, 108 mm & VARIES
- Ⓔ EXISTING HOT MIX ASPHALT SHOULDERS
- Ⓕ EXISTING P.C.C. PAVEMENT, 254 mm
- Ⓖ EXISTING SUB GRANULAR MATERIAL, 153 mm
- Ⓗ EXISTING SUB-SURFACE DRAINAGE SYSTEM
- Ⓘ EXISTING P.C.C. PAVEMENT, 305 mm
- Ⓝ EXISTING P.C.C. SHOULDER, 273 mm
- Ⓚ EXISTING P.C.C. PAVEMENT, 273 mm
- Ⓛ EXISTING STABILIZED SUB-BASE, 102 mm
- Ⓜ EXISTING P.C.C. APPROACH SLAB, 305 mm
- Ⓝ EXISTING DOUBLE FACED CONCRETE BARRIER
- Ⓞ EXISTING POROUS GRANULAR EMBANKMENT, SUBGRADE 300 mm

PROPOSED TYPICAL SECTIONS  
FAI 55 (I-55)  
SECTION (57-4)RS-3 & I  
McCLEAN COUNTY