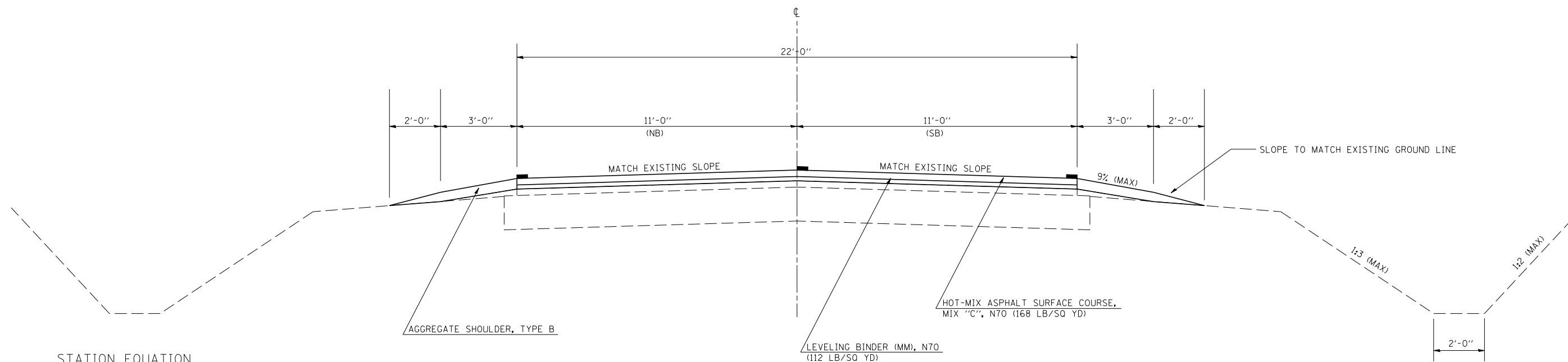


F.A.S. RTE.	SECTION	COUNTY	TOTAL SHEETS	SHEET NO.
518	(380)RS	_CHAMPAIGN	38	10

CONTRACT NO. 70587

PROPOSED TYPICAL ① CROSS SECTION
STA 232+58.84 TO STA 100+32.20 ②

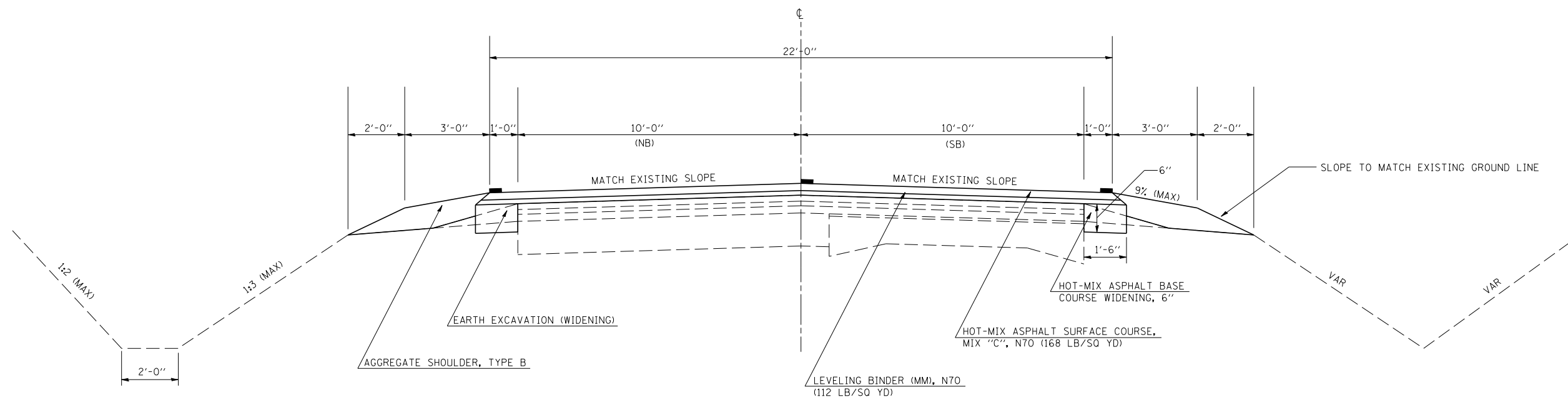


STATION EQUATION

STA 100+40.00 (BK) = STA 232+58.84 (AH)
 STA 100+32.20 (BK) = STA 183+20.00 (AH)

PROPOSED TYPICAL ② CROSS SECTION

- ① STA 183+20.00 TO STA 218+00.00 ③
- ③ STA 248+47.11 TO STA 276+00.00 ③



STATION EQUATION

STA 100+32.20 (BK) = STA 183+20.00 (AH)