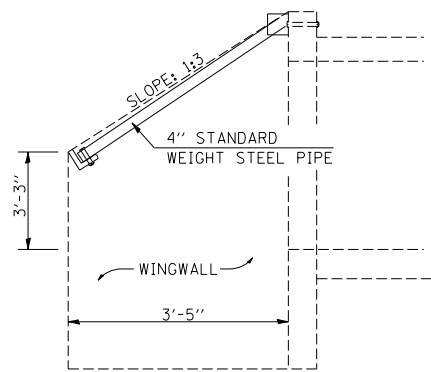
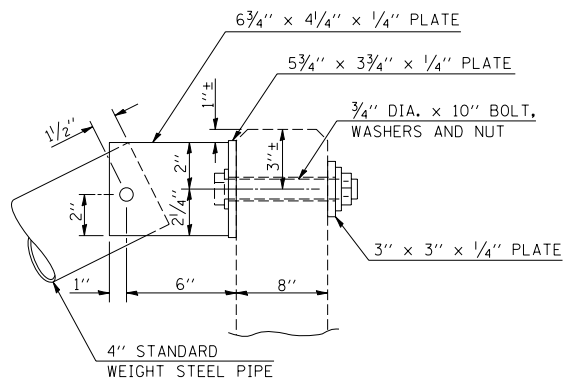


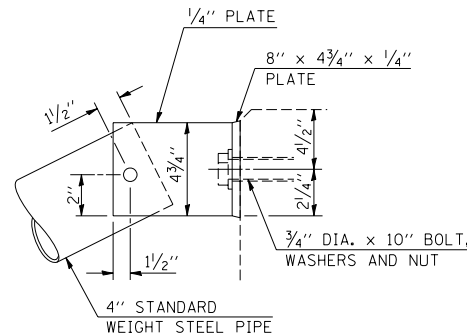
F.A.I. RTE.	SECTION	COUNTY	TOTAL SHEETS	SHEET NO.
57		..	153	49
STA.		TO STA.		
FED. ROAD DIST. NO.		ILLINOIS FED. AID PROJECT		
• D5 SAFETY IMPROVEMENT 2007-2 • CHAMPAIGN, COLES, & DOUGLAS				



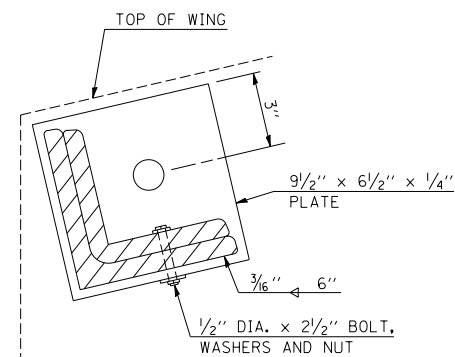
SECTION A - A



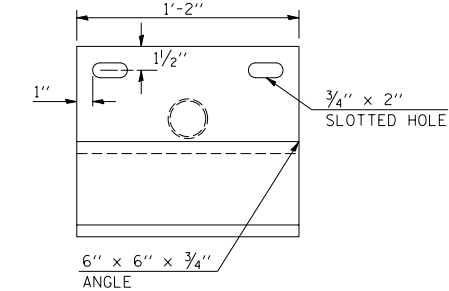
ELEVATION AT HEADWALL



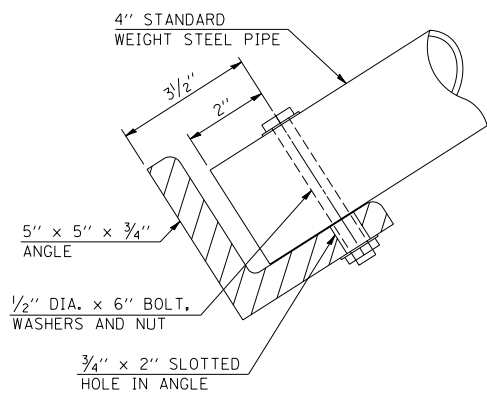
ELEVATION AT WINGWALL



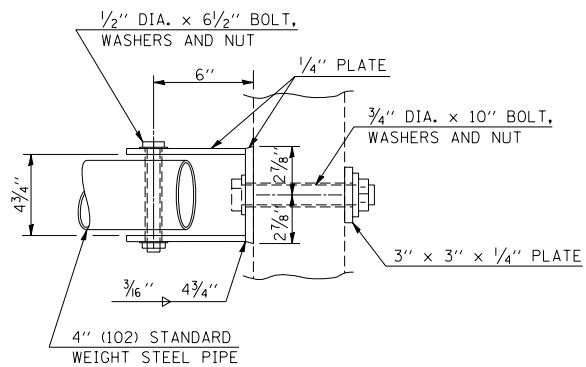
ELEVATION AT END OF WINGWALL



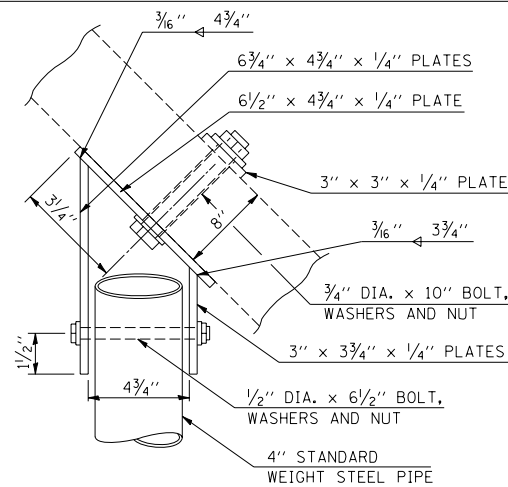
PLAN VIEW OF SUPPORT  
(TWO REQ'D. AT EACH GRATING)



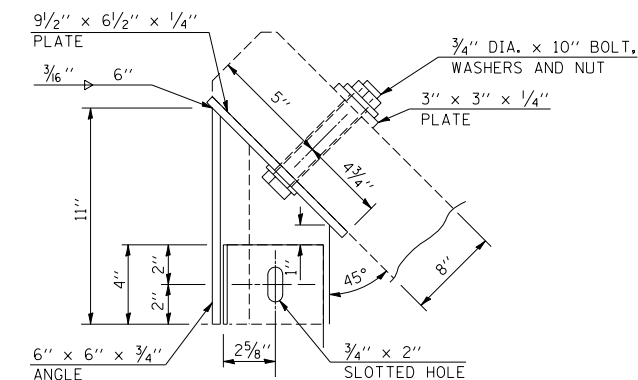
SECTION B - B



PLAN AT HEADWALL



PLAN AT WINGWALL

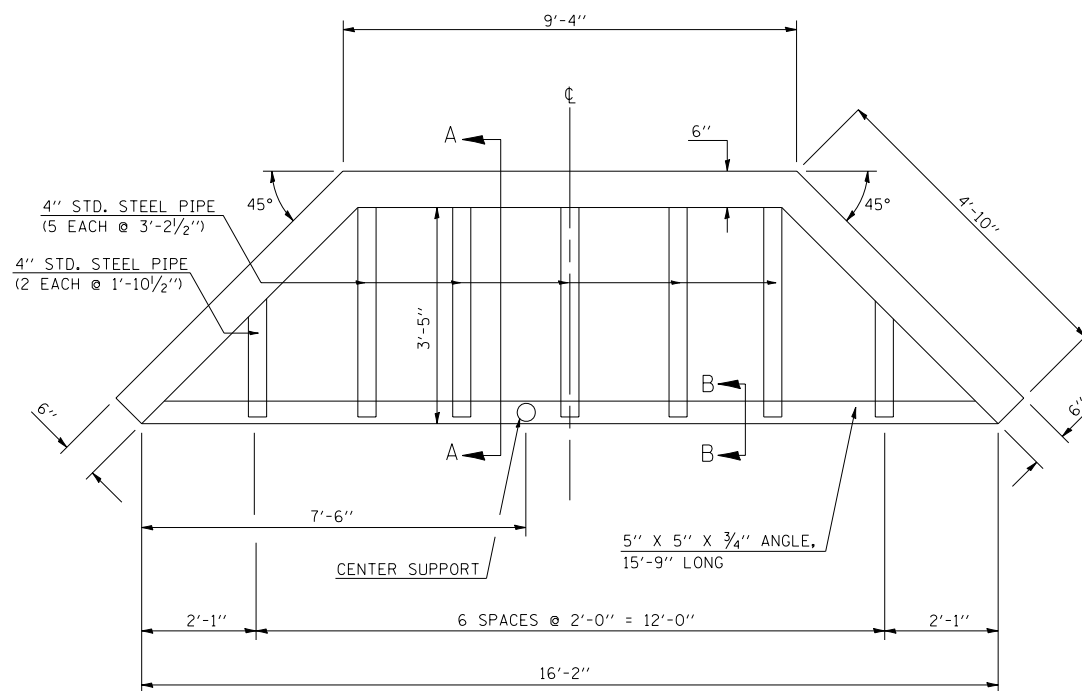


PLAN AT END OF WINGWALL

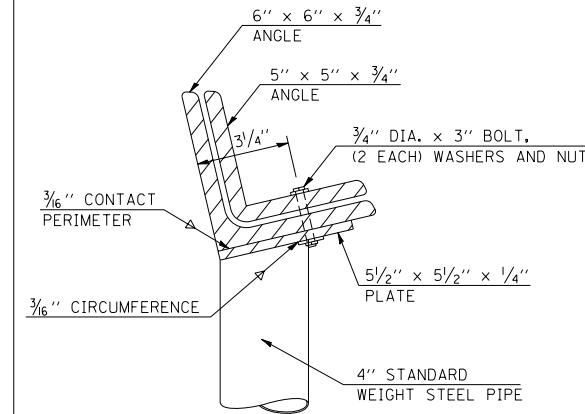
GENERAL NOTES

- BOLTS AND NUTS SHALL CONFORM TO A.S.T.M. A 307. ALL BOLTS SHALL HAVE WASHERS AT EACH END. HOLES SHALL BE 1/16" OVERSIZED UNLESS OTHERWISE NOTED EXCEPT IN CONCRETE WHICH SHALL BE 1/8" OVERSIZED.
- ANGLES AND STEEL PLATES SHALL CONFORM TO A.A.S.H.T.O. M 183. STEEL PIPES SHALL CONFORM TO A.S.T.M. A 53, GRADE B OR A.S.T.M. A 501.
- STEEL PIPES, ANGLES AND PLATES SHALL BE HOT DIPPED GALVANIZED CONFORMING TO THE REQUIREMENTS OF A.A.S.H.T.O. M 111.
- BOLTS, NUTS AND WASHERS SHALL BE HOT DIPPED GALVANIZED CONFORMING TO THE REQUIREMENTS OF A.A.S.H.T.O. M 232.
- THE APPROXIMATE WEIGHT OF THE STEEL IS 733 POUNDS. THIS TOTAL INCLUDES PLATES, ANGLES AND PIPES. BOLTS, NUTS AND WASHERS ARE NOT INCLUDED.
- ALL DIMENSIONS ARE TO BE VERIFIED IN THE FIELD. CUTTING OF THE STANDARD WEIGHT PIPE AND ANGLES TO THE EXACT LENGTH AND DRILLING HOLES IS TO BE DONE IN THE FIELD.
- THIS WORK WILL BE PAID FOR AT THE CONTRACT UNIT PRICE EACH FOR "GRATING FOR CONCRETE HEADWALL" WHICH PRICE SHALL INCLUDE ALL MATERIAL AND LABOR TO COMPLETE THE INSTALLATION AS SHOWN.

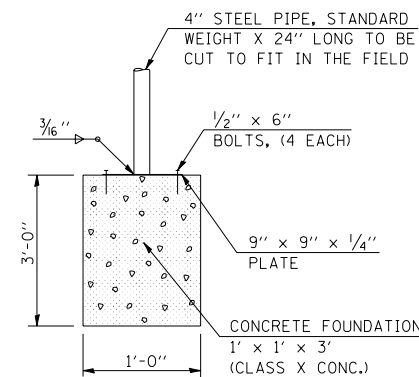
NUMBER OF CENTER SUPPORTS REQUIRED		
W.W. SPAN (TIP-TIP)	NUMBER REQUIRED	SPACING
0' TO 12'-6"	0	-
12'-6" TO 18'-0"	1	CENTER OF W.W. SPAN
OVER 18'-0"	(1 CENTER SUPPORT EVERY ADDITIONAL 6'-0" OF W.W. SPAN)	



PLAN



END VIEW OF SUPPORT



CENTER SUPPORT FOUNDATION

GRATING FOR CONCRETE HEADWALL  
STATION 229+66.00 LT.