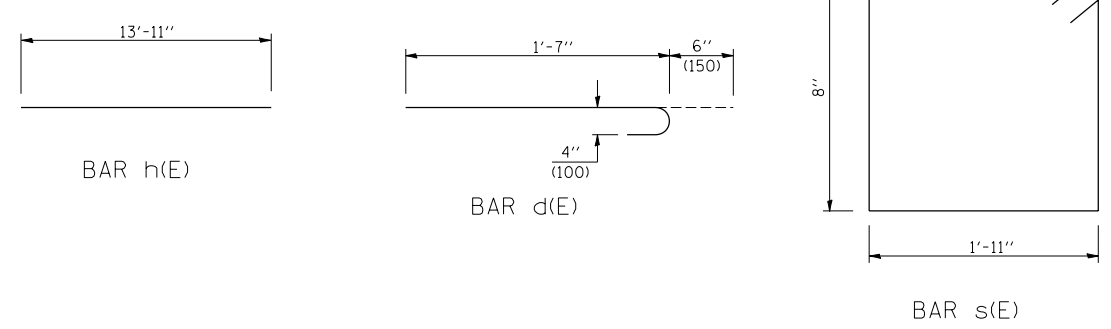
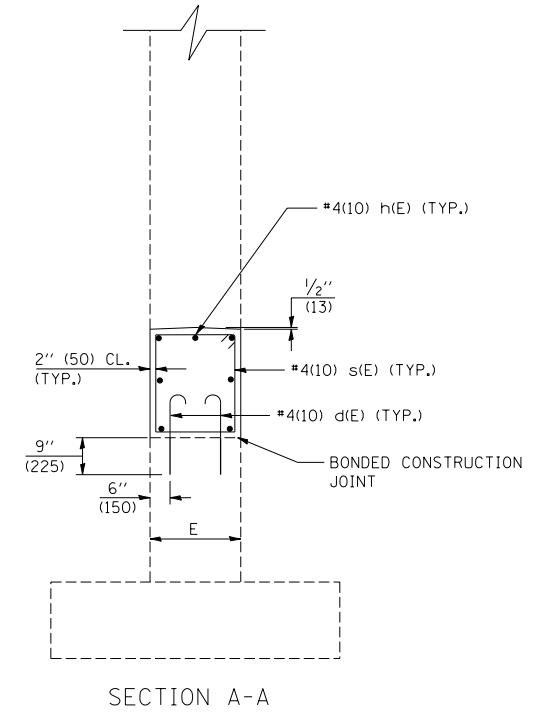
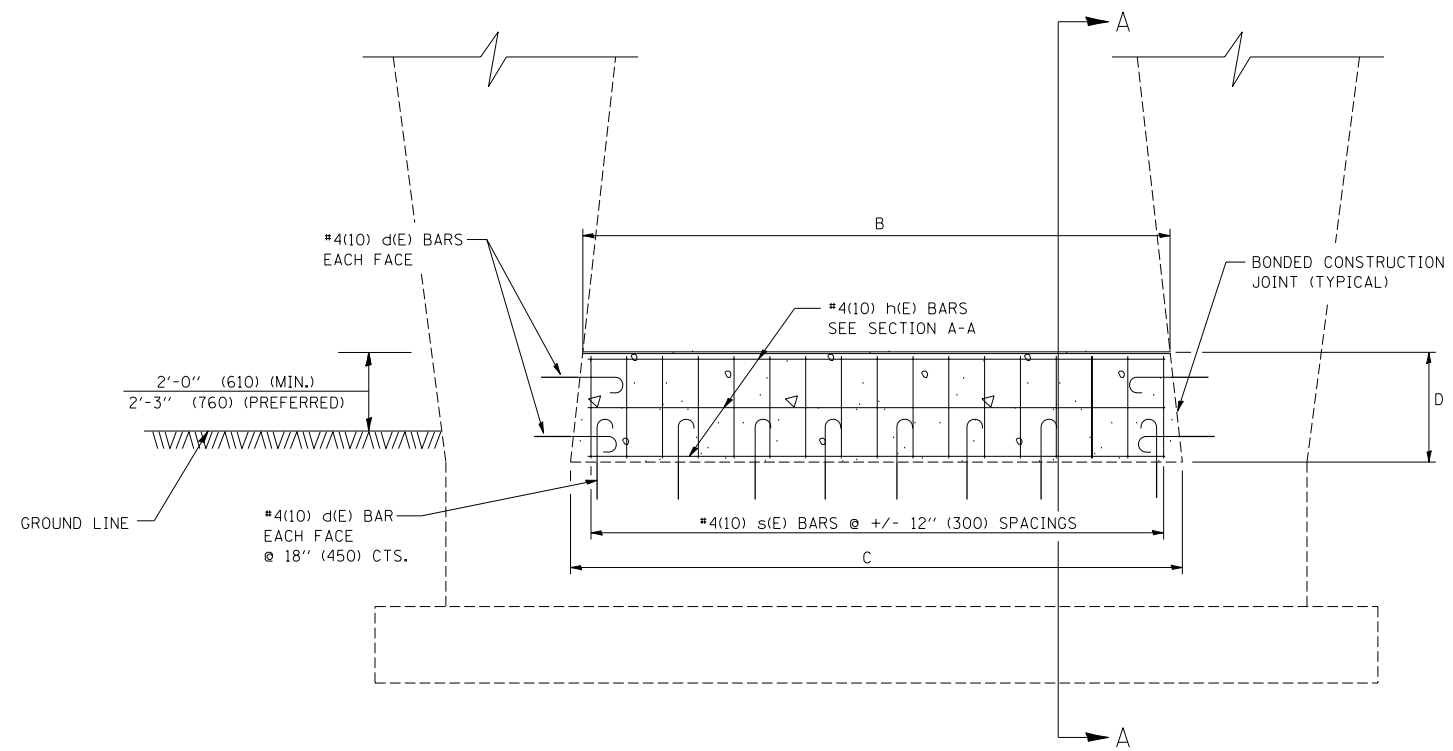


F.A.I. RTE.	SECTION	COUNTY	TOTAL SHEETS	SHEET NO.
57	.	..	153	51

• D5 SAFETY IMPROVEMENT 2007-2
 •• CHAMPAIGN, COLES, & DOUGLAS

DETAIL OF CRASHWALL EXTENSION S.N. 010-0145



DIMENSION TABLE

STRUCTURE	LOCATION	B	C	D	E	d (E) LENGTH	s (E) LENGTH	h (E) LENGTH
010-0045	RT PIER	14' - 3"	14' - 4"	1' - 6"	2" - 3"	2' - 1"	5' - 11"	13' - 11"
010-0045	LT PIER	14' - 3"	14' - 4"	2' - 0"	2" - 3"	2' - 1"	5' - 11"	13' - 11"
010-0045	CENTER PIER	14' - 3"	14' - 4"	1' - 0"	2" - 3"	2' - 1"	5' - 11"	13' - 11"

BAR TABLE

BAR	QTY.	SIZE	SHAPE
d(E)	84	#4(10)	—
s(E)	42	#4(10)	□
h(E)	21	#4(10)	—

BILL OF MATERIALS

ITEM	UNIT	QUANTITY
CLASS SI CONCRETE	CU. YD. (m ³)	5.4
REINFORCEMENT BARS, EPOXY COATED	LB. (kg)	478.1

GENERAL NOTES

CLASS SI CONCRETE SHALL BE USED THROUGHOUT.

EPOXY GROUTING SHALL BE DONE IN ACCORDANCE WITH ARTICLE 584 OF THE STANDARD SPECIFICATIONS. THE DRILLED HOLES FOR THE d(E) BARS SHALL BE 1/4" (7 mm) LARGER THAN THE DIAMETER OF THE BAR. THE COST OF THE EPOXY GROUTING AND DRILLING SHALL BE INCLUDED IN THE COST OF REINFORCEMENT BARS, EPOXY COATED.

REINFORCEMENT BARS SHALL CONFORM TO THE REQUIREMENTS OF AASHTO M31, M42 OR M53 GRADE 60.

PLAN DIMENSIONS AND DETAILS RELATIVE TO THE EXISTING STRUCTURE HAVE BEEN TAKEN FROM EXISTING PLANS AND ARE SUBJECT TO NOMINAL CONSTRUCTION VARIATIONS. IT SHALL BE THE CONTRACTOR'S RESPONSIBILITY TO VERIFY SUCH DIMENSIONS AND DETAILS IN THE FIELD AND MAKE NECESSARY APPROVED ADJUSTMENTS PRIOR TO CONSTRUCTION OR ORDERING OF MATERIALS. SUCH VARIATIONS SHALL NOT BE CAUSE FOR ADDITIONAL COMPENSATION FOR A CHANGE IN THE SCOPE OF THE WORK. HOWEVER, THE CONTRACTOR WILL BE PAID FOR THE QUANTITY ACTUALLY FURNISHED AT THE UNIT PRICE FOR THE WORK.

Note: All dimensions are in INCHES (millimeters) unless otherwise shown.

DATE	REVISIONS	NAME	ILLINOIS DEPARTMENT OF TRANSPORTATION
11/06	REPLACED DETAIL F-3.01A	TJB	

CRASHWALL EXTENSION
 (TRAPEZOIDAL PIER)

DISTRICT 5 DETAIL NO. XX002909B

PLOT DATE = 3/30/2007
 FILE NAME = c:\projects\0514406 (v8)\70628detail.dgn
 PLOT SCALE = 4.23524 / IN.
 USER NAME = piersonbr