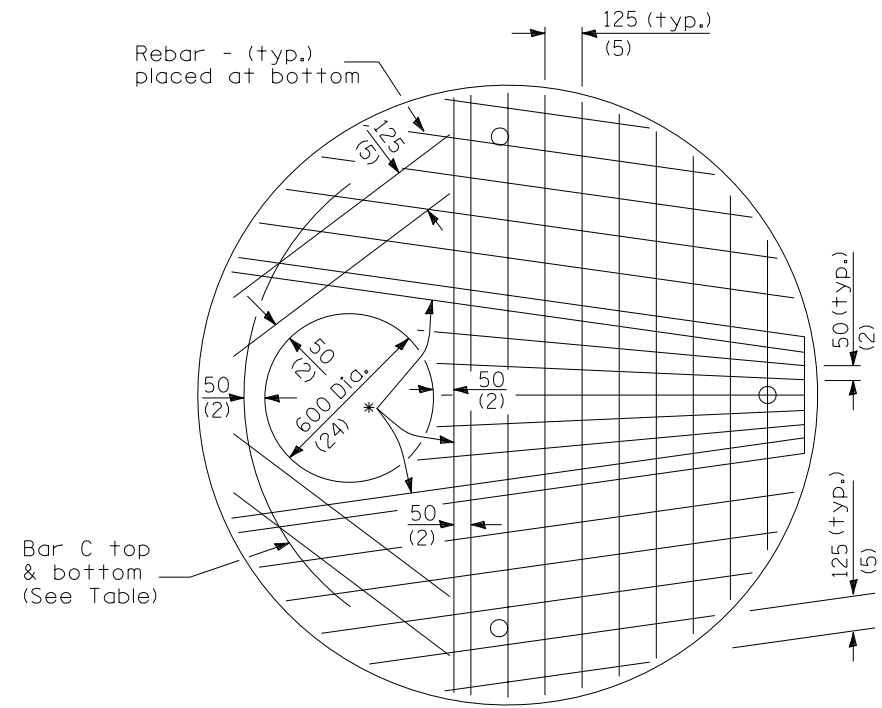


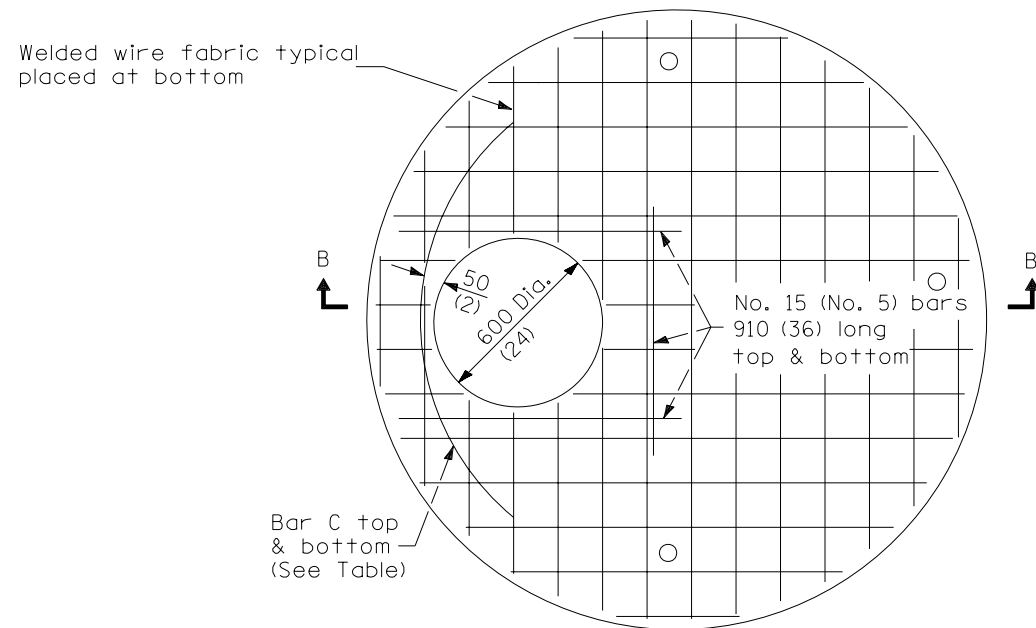
F.A.I. RTE.	SECTION	COUNTY	TOTAL SHEETS	SHEET NO.
57	.	..	153	56
STA.		TO STA.		
FED. ROAD DIST. NO.	ILLINOIS	FED. AID PROJECT		
• D5 SAFETY IMPROVEMENT 2007-2 •• CHAMPAIGN, COLES, & DOUGLAS				

DETAIL OF RESTRICTED DEPTH MANHOLE 7' DIAMETER, TYPE 1 FRAME, CLOSED LID



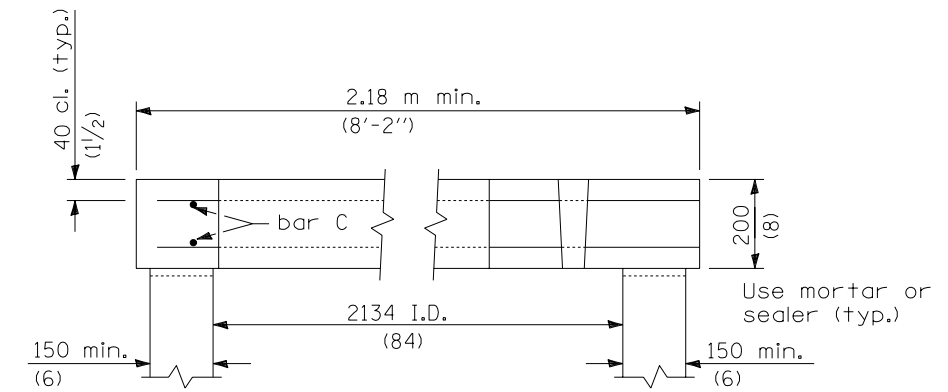
PLAN
Showing Rebar Reinforcement

* No. 20 (No. 6) bars top & bottom



PLAN
Showing Welded Wire Fabric Reinforcement

Diameter of opening	Thickness	Reinforcement "As" WWF Each direction	Bar Size	No. 15 (No. 4) Bar C	
				Length	Radius
600 (24)	200 (8)	2244 mm ² /m (1.06) sq. in./ft.	No. 20 (No. 6)	1.83 m (6'-0")	965 (44)



SECTION B-B

All dimensions are in millimeters (inches) unless otherwise shown.

ILLINOIS DEPARTMENT OF TRANSPORTATION
**DETAIL OF RESTRICTED DEPTH
 MANHOLE CLOSED LID**
 F.A.I. ROUTE 57 (I-57)
 SECTION 07SAFETY
 CHAMPAIGN, COLES & DOUGLAS COUNTIES
 SCALE: NOT TO SCALE
 DATE: 03/21/07

DRAWN BY: B.B.P.
 CHECKED BY: M.L.B.

PLOT DATE = 3/30/2007
 FILE NAME = c:\projects\d51406\18\70628deralis.dgn
 PLOT SCALE = 42.3523 / IN.
 USER NAME = pier-sonbr