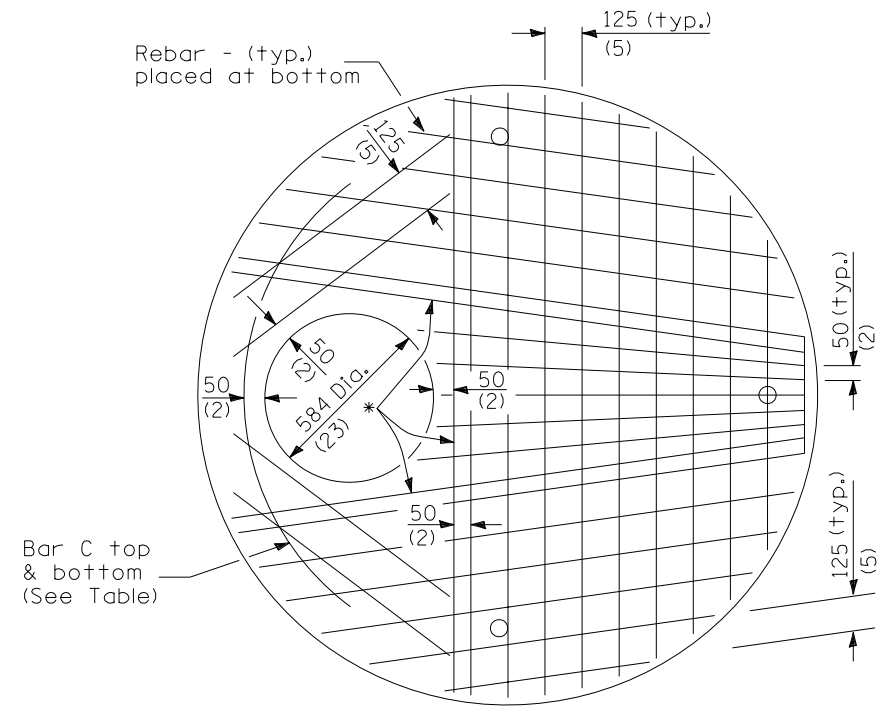


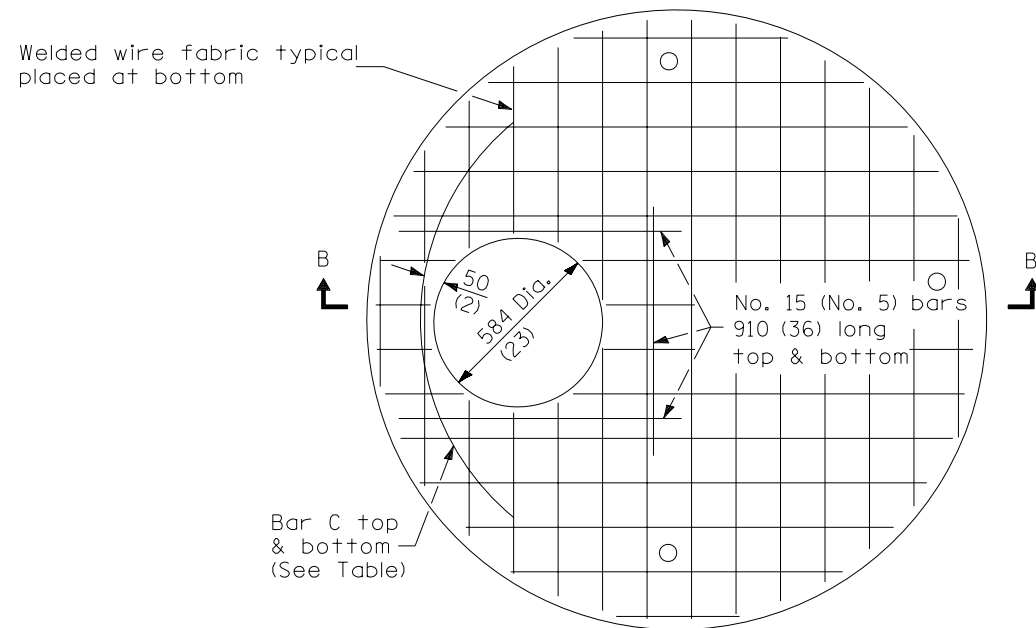
F.A.I. RTE.	SECTION	COUNTY	TOTAL SHEETS	SHEET NO.
57	.	..	153	58
STA.		TO STA.		
FED. ROAD DIST. NO.	ILLINOIS	FED. AID PROJECT		
• D5 SAFETY IMPROVEMENT 2007-2 •• CHAMPAIGN, COLES, & DOUGLAS				

## DETAIL OF RESTRICTED DEPTH MANHOLE 7' DIAMETER, TYPE 8 GRATE



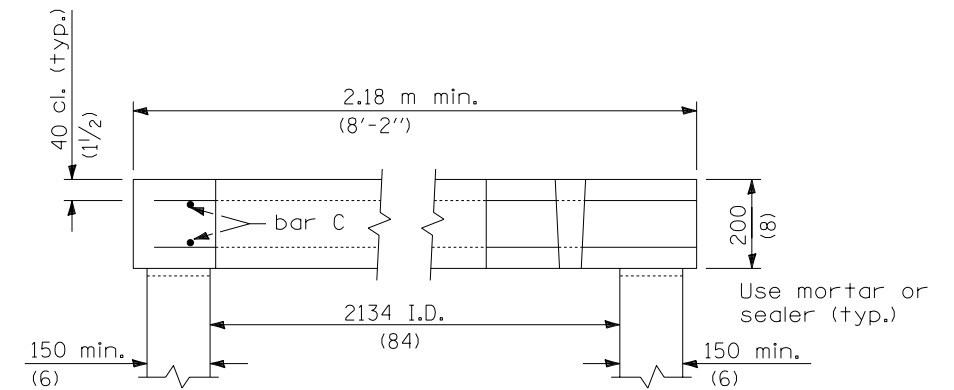
PLAN  
Showing Rebar Reinforcement

\* No. 20 (No. 6) bars top & bottom



PLAN  
Showing Welded Wire Fabric Reinforcement

Diameter of opening	Thickness	Reinforcement "As" WWF Each direction	Bar Size	No. 15 (No. 4) Bar C	
				Length	Radius
584 (23)	200 (8)	2244 mm <sup>2</sup> /m (1.06) sq. in./ft.	No. 20 (No. 6)	1.83 m (6'-0")	965 (44)



SECTION B-B

All dimensions are in millimeters (inches) unless otherwise shown.

ILLINOIS DEPARTMENT OF TRANSPORTATION  
**DETAIL OF RESTRICTED DEPTH  
 MANHOLE TYPE 8 GRATE**  
 F.A.I. ROUTE 57 (I-57)  
 SECTION 07SAFETY  
 CHAMPAIGN, COLES & DOUGLAS COUNTIES  
 SCALE: NOT TO SCALE DRAWN BY: B.B.P.  
 DATE: 03/21/07 CHECKED BY: M.L.B.