

ROUTE NO.	SECTION	COUNTY	SHEET NO.	SHEET	SHEET NO.
FA151	*	Champaign	153	61	1 SHEETS
FED. ROAD DIST. NO. 7	ILLINOIS	FED. AID PROJECT			

Contract Number:
 * DS SAFETY IMPROVEMENT 2007-2
 ** CHAMPAIGN, COLES, & DOUGLAS
GENERAL NOTES

Reinforcement bars shall conform to the requirements of ASTM A 706 Gr 60 (IL Modified). See Special Provisions.

Existing reinforcement extending into the removal area shall be cleaned, straightened and incorporated into the new construction. Any reinforcement bars that are damaged during concrete removal shall be replaced with an approved bar splicer or anchorage system. Cost shall be included with Concrete Removal.

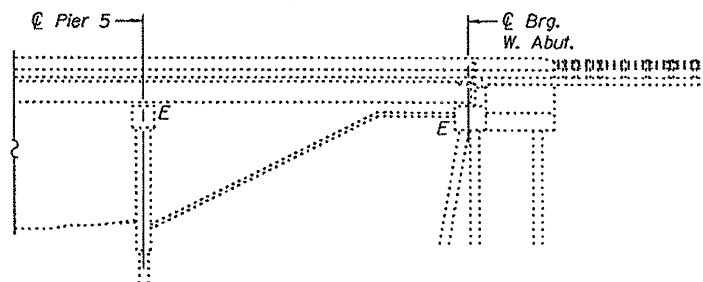
Plan dimensions and details relative to existing plans are subject to routine variations. The Contractor shall field verify existing dimensions and details affecting new construction and make necessary approved adjustments prior to construction or ordering of materials. Such variations shall not be cause for additional compensation for a change in scope of the work, however, the Contractor will be paid for the quantity actually furnished based upon the unit price bid for the work.

Reinforcement bars designated (E) shall be epoxy coated.

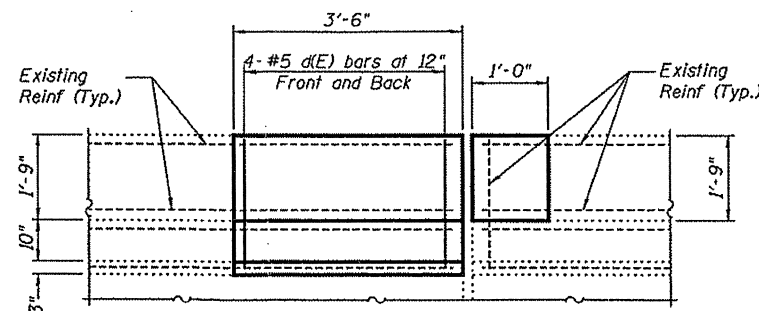
TOTAL BILL OF MATERIAL

Bar	No.	Size	Length	Shape
d(E)	8	#5	3'-0"	┌
Concrete Removal			Cu. Yd.	0.4
Concrete Superstructure			Cu. Yd.	0.4
Reinforcement Bars, Epoxy Coated			Lbs.	30

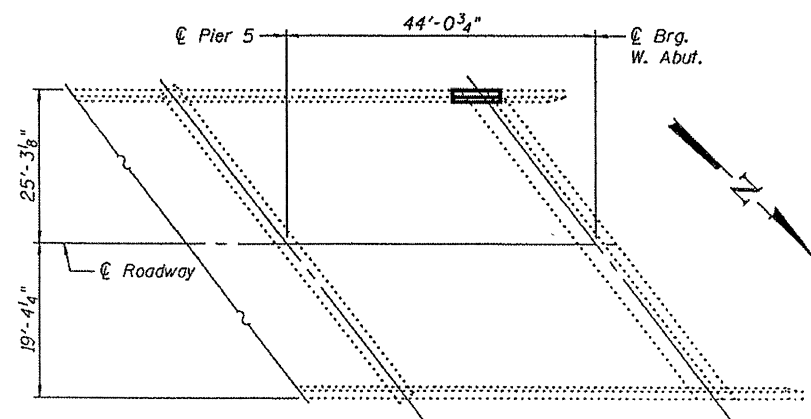
STATE OF ILLINOIS
 DEPARTMENT OF TRANSPORTATION



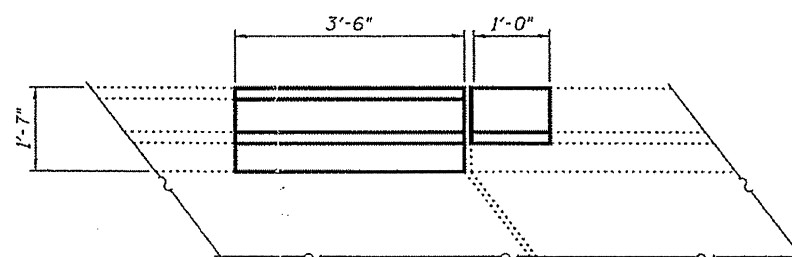
PARTIAL BRIDGE ELEVATION



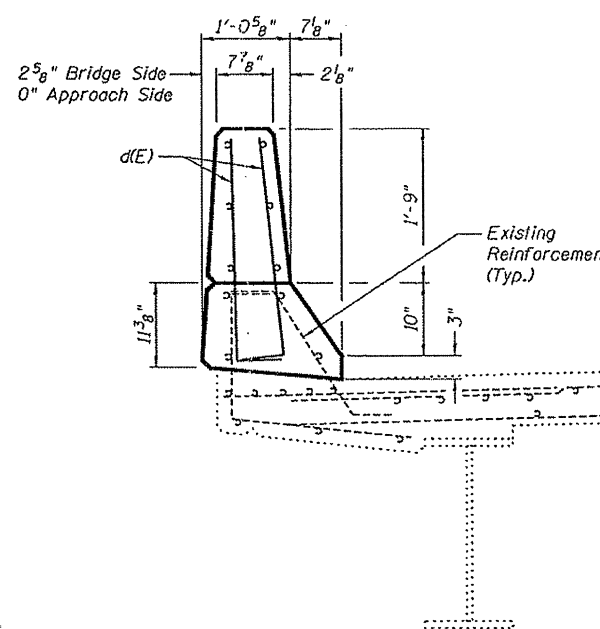
PARTIAL PARAPET ELEVATION



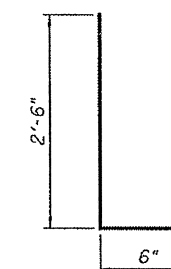
PARTIAL BRIDGE PLAN



PARTIAL PARAPET PLAN

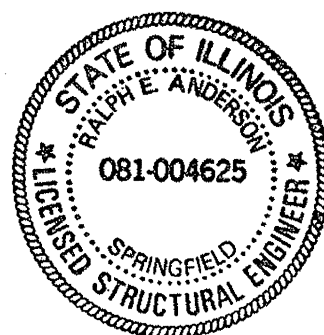


TYPICAL PARAPET SECTION



d(E) Bar

DESIGNED	Victor H. Veliz	February 20, 2007
CHECKED	[Signature]	EXAMINED
DRAWN	[Signature]	PASSED
CHECKED	VHV KJB	



Expires: November 30, 2008

PARAPET REPAIRS
 F.A.I. RT. 57
 CHAMPAIGN COUNTY
 SN 010-0200