

F.A.I. RTE.	SECTION	COUNTY	TOTAL SHEETS	SHEET NO.
57	.	..	153	1

• D5 SAFETY IMPROVEMENT 2007-2  
 •• CHAMPAIGN, COLES, & DOUGLAS

D-95-144-06

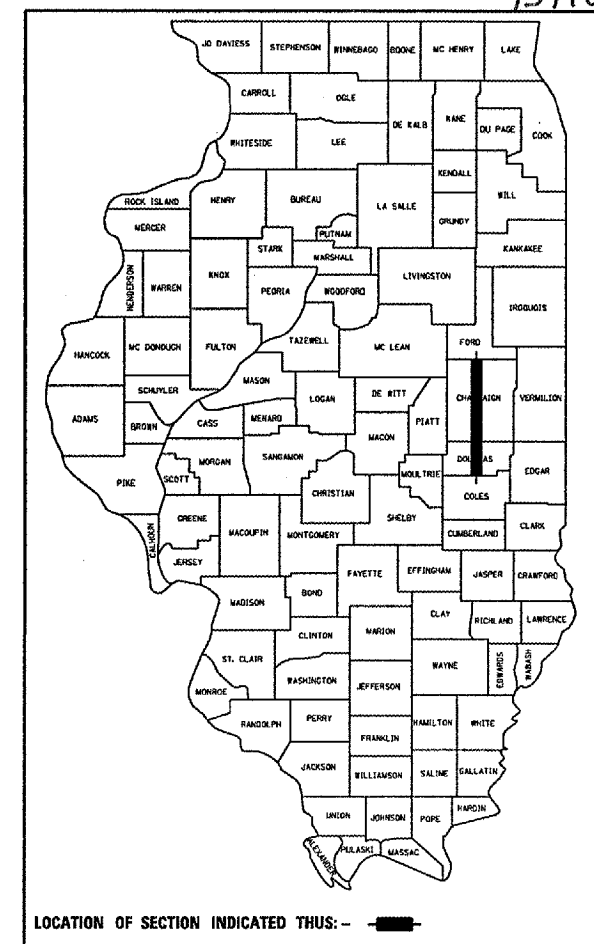
154 total

STATE OF ILLINOIS  
 DEPARTMENT OF TRANSPORTATION  
 DIVISION OF HIGHWAYS

**PROPOSED  
 HIGHWAY PLANS**

F.A.I. ROUTE 57 (I-57)  
 SECTION D5 SAFETY IMPROVEMENT 2007-2  
 PROJECT HSIP-057-5 (191) 200  
 CHAMPAIGN, COLES, & DOUGLAS COUNTIES

C-95-144-06  
 SAFETY IMPROVEMENTS

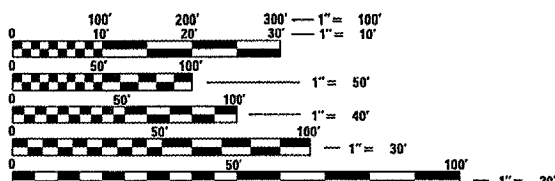


FOR INDEX OF SHEETS, SEE SHEET NO. 2  
 FOR SUMMARY OF QUANTITIES, SEE SHEET NO. 9 - 10

DESIGNER: MATT BOWER  
 SQUAD LEADER: CHRIS GREESON  
 PROJECT ENGINEER: KEVIN TRAPP (217)465-4181

**CURRENT ADT**  
 F. A. I. 57 (I-57) = 35,600 (2006)

**DESIGN DESIGNATION**  
 N/A



FULL SIZE PLANS HAVE BEEN PREPARED USING STANDARD ENGINEERING SCALES. REDUCED SIZED PLANS WILL NOT CONFORM TO STANDARD SCALES. IN MAKING MEASUREMENTS ON REDUCED PLANS, THE ABOVE SCALES MAY BE USED.

J.U.L.I.E.  
 JOINT UTILITY LOCATION INFORMATION FOR EXCAVATION  
 1-800-892-0123

FOR LOCATION MAPS, SEE SHEET NO. 4 & 5

FOR TOTAL & NET LENGTH, SEE SHEET NO. 4 & 5

STATE OF ILLINOIS  
 DEPARTMENT OF TRANSPORTATION  
 DIVISION OF HIGHWAYS

SUBMITTED 3/29 20 07  
Joseph E. Cowen  
 DEPUTY DIRECTOR OF HIGHWAYS, REGION ENGINEER

May 11 20 07  
Eric E. [Signature]  
 ENGINEER OF DESIGN AND ENVIRONMENT

May 11 20 07  
Milton R. [Signature] P.E.  
 DIRECTOR OF HIGHWAYS, CHIEF ENGINEER

**PRINTED BY THE AUTHORITY  
 OF THE STATE OF ILLINOIS**

PLOT DATE = 3/28/2007  
 FILE NAME = c:\p\projects\57\4406\154\154.dwg  
 PLOT SCALE = 43.2355 / IN.  
 USER NAME = p18rsonb

F.A.I. RTE.	SECTION	COUNTY	TOTAL SHEETS	SHEET NO.
57	.	**	153	2
STA.		TO STA.		
FED. ROAD DIST. NO.	ILLINOIS	FED. AID PROJECT		

• D5 SAFETY IMPROVEMENT 2007-2  
 \*\* CHAMPAIGN, COLES, & DOUGLAS

## INDEX OF SHEETS

SHEET NO.	DESCRIPTION
1	COVER SHEET
2	INDEX OF SHEETS
2	LIST OF HIGHWAY STANDARDS
3	GENERAL NOTES
4-5	LOCATION MAPS
6-8	LOCATIONS MAPS OF STRUCTURES
9-10	SUMMARY OF QUANTITIES
11-13	EARTHWORK ANALYSIS
14-32	GUARDRAIL SCHEDULES
33-45	SCHEDULE OF QUANTITIES
46-49	DETAILS OF GRATING FOR CONCRETE HEADWALL
50	DETAIL OF CRASHWALL EXTENSION AT S. N. 021-0024
51	DETAIL OF CRASHWALL EXTENSION AT S. N. 010-0145
52	DETAIL OF CRASHWALL EXTENSION AT S. N. 010-0100
53	DETAIL OF CRASHWALL EXTENSION AT S. N. 010-0185
54	DETAIL OF CRASHWALL EXTENSION AT S. N. 010-0172
55-56	DETAIL OF RESTRICTED DEPTH MANHOLE 7' DIAMETER, TYPE 1 FRAME, CLOSED LID
57-58	DETAIL OF RESTRICTED DEPTH MANHOLE 7' DIAMETER, TYPE 8 GRATE
59	DETAIL OF TRAFFIC BARRIER TERMINAL, TYPE 6B
60 <i>60A</i>	DETAIL OF TRAFFIC BARRIER TERMINAL, TYPE 6B. (SPECIAL) <i>TRAFFIC BARRIER TERMINAL, TYPE 2</i>
61	DETAIL OF PARAPET REPAIRS S. N. 010-0200
62	DETAIL OF CONCRETE COLLAR
63	DETAIL OF STEEL PLATE BEAM GUARDRAIL, SHORT RADIUS
64	DETAIL FOR TRAFFIC CONTROL FOR RAMPS
65	DETAIL OF IMPACT ATTENUATORS (NON-REDIRECTIVE) TEST LEVEL 3
66	PLAN AND PROFILE OF IMPACT ATTENUATORS AT S. N. 015-0063
67	PLAN AND PROFILE OF IMPACT ATTENUATORS AT S. N. 021-0024
68	PLAN AND PROFILE OF IMPACT ATTENUATORS AT S. N. 021-0041
69	PLAN AND PROFILE OF IMPACT ATTENUATORS AT S. N. 021-0044
70	PLAN AND PROFILE OF IMPACT ATTENUATORS AT S. N. 021-0043
71	PLAN AND PROFILE OF IMPACT ATTENUATORS AT S. N. 021-0034
72	PLAN AND PROFILE OF IMPACT ATTENUATORS AT S. N. 010-0145
73	PLAN AND PROFILE OF IMPACT ATTENUATORS AT S. N. 010-0181
74	PLAN AND PROFILE OF IMPACT ATTENUATORS AT S. N. 010-0176
75	PLAN AND PROFILE OF IMPACT ATTENUATORS AT S. N. 010-0156
76	PLAN AND PROFILE OF IMPACT ATTENUATORS AT S. N. 010-0165
77	PLAN AND PROFILE OF IMPACT ATTENUATORS AT S. N. 010-0164
78-83	CROSS SECTIONS AT S. N. 015-0063
84-88	CROSS SECTIONS AT S. N. 021-0024
89-95	CROSS SECTIONS AT S. N. 021-0041
96-100	CROSS SECTIONS AT S. N. 021-0044
101-104	CROSS SECTIONS AT S. N. 021-0043
105-110	CROSS SECTIONS AT S. N. 021-0034
111-118	CROSS SECTIONS AT S. N. 010-0145
119-124	CROSS SECTIONS AT S. N. 010-0181
125-130	CROSS SECTIONS AT S. N. 010-0176
131-138	CROSS SECTIONS AT S. N. 010-0156
139-145	CROSS SECTIONS AT S. N. 010-0165
146-153	CROSS SECTIONS AT S. N. 010-0164

## LIST OF STANDARDS

STANDARD NO.	DESCRIPTION
000001-04	STANDARD SYMBOLS, ABBREVIATIONS, AND PATTERNS
001001-01	AREAS OF REINFORCEMENT BARS
001006	DECIMAL OF AN INCH AND OF A FOOT
280001-03	TEMPORARY EROSION CONTROL SYSTEMS
542301-01	PRECAST REINFORCED CONCRETE FLARED END SECTION
542526-01	INLET BOX TYPE F 600MM (24")
542546	FLUSH INLET BOX FOR MEDIAN
604036-01	GRATE TYPE 8
630001-07	STEEL PLATE BEAM GUARDRAIL
630101-07	GUARDRAIL MOUNTED ON EXISTING CULVERTS
630301-04	SHOULDER WIDENING FOR TYPE 1 (SPECIAL) GUARDRAIL TERMINALS
631011-03	TRAFFIC BARRIER TERMINAL TYPE 2
631026-03	TRAFFIC BARRIER TERMINAL TYPE 5
631031-06	TRAFFIC BARRIER TERMINAL TYPE 6
635001	DELINEATORS
635006-02	REFLECTOR AND TERMINAL MARKER PLACEMENT
635011-01	REFLECTOR MARKER AND MOUNTING DETAILS
701101-01	OFF-ROAD OPERATIONS, MULTILANE, 4.5m (15') to 600mm (24") FROM PAVEMENT EDGE
701400-02	APPROACH TO LANE CLOSURE, FREEWAY/EXPRESSWAY
701406-04	LANE CLOSURE MULTILANE DAY OPERATIONS ONLY
701411-03	LANE CLOSURE MULTILANE, AT ENTRANCE OF EXIT RAMP, FOR SPEEDS ≥ 45 MPH
702001-06	TRAFFIC CONTROL DEVICES
720011	METAL POSTS FOR SIGNS, MARKERS AND DELINEATORS
BLR 23-1	TRAFFIC BARRIER TERMINAL TYPE 1

PLOT DATE = 3/30/2007  
 FILE NAME = c:\projects\0514406 (v8)\70628\11\sheet1.dgn  
 PLOT SCALE = 42.3529' / IN.  
 USER NAME = pierseob

ILLINOIS DEPARTMENT OF TRANSPORTATION  
INDEX OF SHEETS & LIST OF STANDARDS  
 F.A.I. ROUTE 57 (I-57)  
 SECTION D5 SAFETY IMPROVEMENT 2007-2  
 CHAMPAIGN, COLES, & DOUGLAS COUNTIES  
 SCALE: NOT TO SCALE DRAWN BY: B.B.P.  
 DATE: 03/24/07 CHECKED BY: M.L.B.

F.A.I. RTE.	SECTION	COUNTY	TOTAL SHEETS	SHEET NO.
57	•	••	153	3

STA.	TO STA.
FED. ROAD DIST. NO.	ILLINOIS FED. AID PROJECT

- D5 SAFETY IMPROVEMENT 2007-2
- CHAMPAIGN, COLES, & DOUGLAS

## GENERAL NOTES

G.N.-100

ENGLISH UNITS OF MEASUREMENT SHALL GOVERN OVER AND SUPERSEDE ANY METRIC UNITS SHOWN IN THIS CONTRACT. WHERE INCLUDED, METRIC UNITS ARE FOR INFORMATION ONLY.

G.N.-542

BEFORE ORDERING PIPE CULVERTS, THE CONTRACTOR SHALL CONSULT THE ENGINEER FOR THE EXACT LENGTHS.

G.N.-631

IF THE CONTRACTOR ELECTS TO USE THE ALTERNATE MOUNTING METHOD OF THRU DRILLING THE MOUNTING HOLES FOR THE TRAFFIC BARRIER TERMINALS, TYPE 6, THE HOLES SHALL BE DRILLED USING A CORE DRILL. A HAMMER DRILL WILL NOT BE ALLOWED.

G.N.-1004.01

COARSE AGGREGATE GRADATION CA-10 MAY BE USED WHENEVER COARSE AGGREGATE CA-6 IS SPECIFIED IN THE STANDARD SPECIFICATIONS.

PLOT DATE = 3/30/2007  
 FILE NAME = c:\projects\d5\406\70628\sheet3.dgn  
 PLOT SCALE = 42.3523 / IN.  
 USER NAME = pier-sonbr

ILLINOIS DEPARTMENT OF TRANSPORTATION	
<b>GENERAL NOTES</b>	
F.A.I. ROUTE 57 (I-57)	
SECTION D5 SAFETY IMPROVEMENT 2007-2	
CHAMPAIGN, COLES, & DOUGLAS COUNTIES	
SCALE: NOT TO SCALE	DRAWN BY: B.B.P.
DATE: 03/24/07	CHECKED BY: M.L.B.



F.A.I. RTE.	SECTION	COUNTY	TOTAL SHEETS	SHEET NO.
57	•	••	153	5

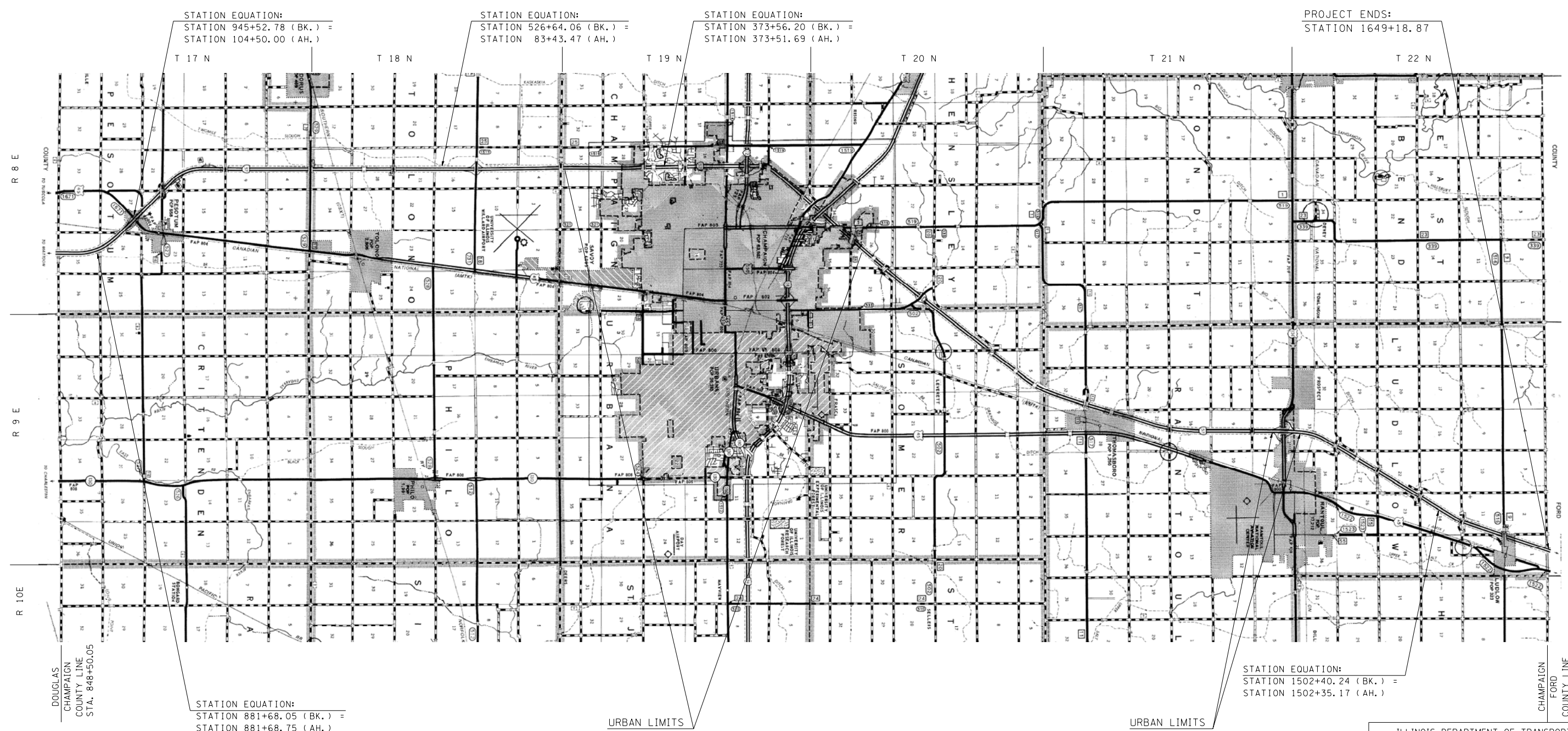
STA. TO STA.  
 FED. ROAD DIST. NO. ILLINOIS FED. AID PROJECT  
 • D5 SAFETY IMPROVEMENT 2007-2  
 •• CHAMPAIGN, COLES, & DOUGLAS

# LOCATION MAP #2

## F.A.I. 57, FROM DOUGLAS /CHAMPAIGN COUNTY LINE TO CHAMPAIGN /FORD COUNTY LINE



### CHAMPAIGN COUNTY /RURAL MULTILANE, URBAN MULTILANE



PLOT DATE = 3/30/2007  
 FILE NAME = c:\projects\d5\4406 (v8)\70628\lshets.dgn  
 PLOT SCALE = 42.3523 / IN.  
 USER NAME = pier-sonbr

**TOTAL LENGTH OF SECTION = 293,923.82 FT. = 55.667 MILES**  
**NET LENGTH OF SECTION = 293,923.82 FT. = 55.667 MILES**

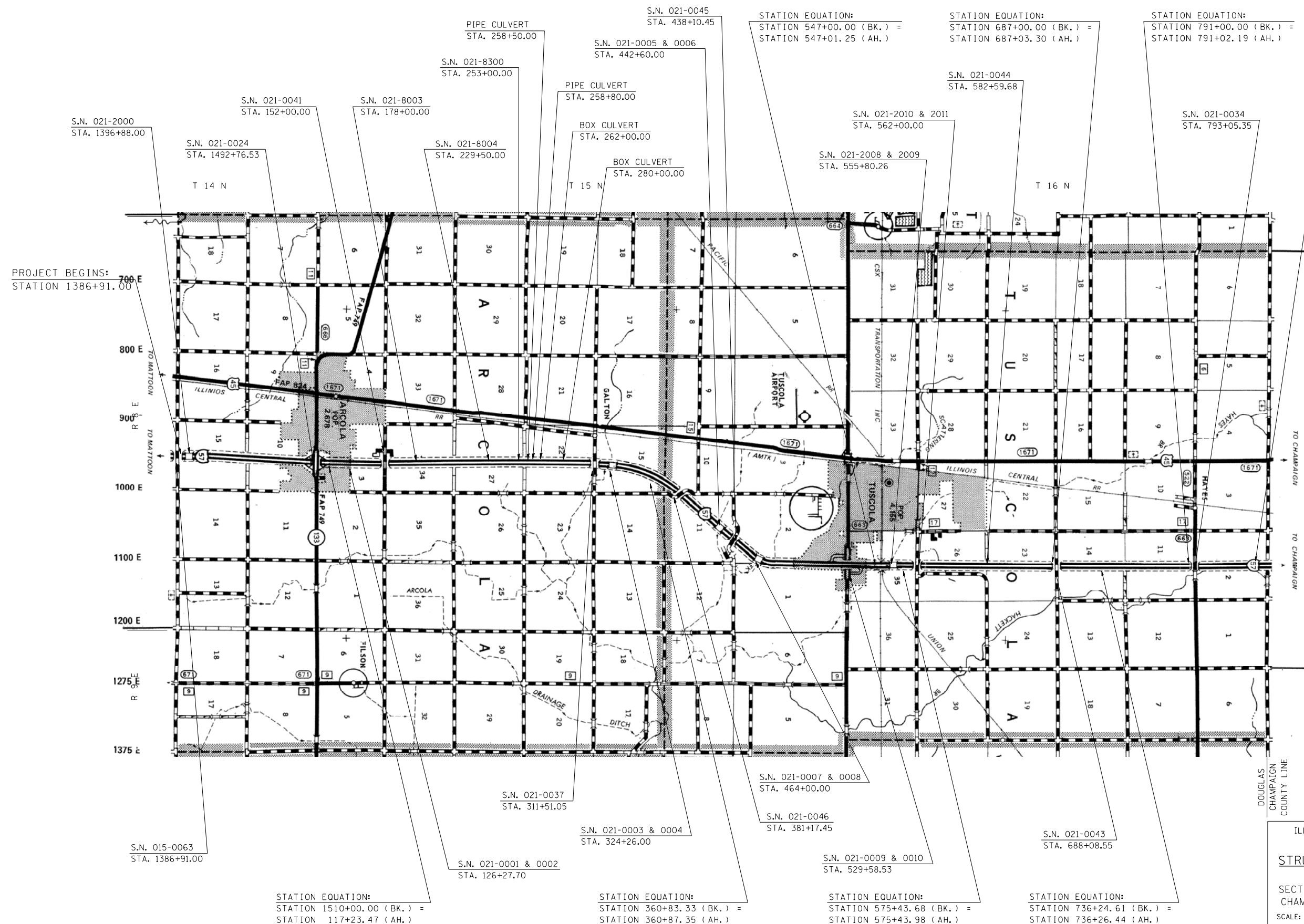
ILLINOIS DEPARTMENT OF TRANSPORTATION  
**LOCATION MAPS**  
 F.A.I. ROUTE 57 (I-57)  
 SECTION D5 SAFETY IMPROVEMENT 2007-2  
 CHAMPAIGN, COLES, & DOUGLAS COUNTIES  
 SCALE: NOT TO SCALE  
 DATE: 01/30/07  
 DRAWN BY: B.B.P.  
 CHECKED BY: M.L.B.

F.A.I. RTE.	SECTION	COUNTY	TOTAL SHEETS	SHEET NO.
57	.	..	153	6

STA.	TO STA.
FED. ROAD DIST. NO.	ILLINOIS FED. AID PROJECT

- D5 SAFETY IMPROVEMENT 2007-2
- CHAMPAIGN, COLES, & DOUGLAS

# LOCATION MAP OF STRUCTURES IN DOUGLAS COUNTY



PROJECT BEGINS:  
STATION 1386+91.00

STATION EQUATION:  
STATION 843+84.01 (BK.) =  
STATION 843+83.95 (AH.)

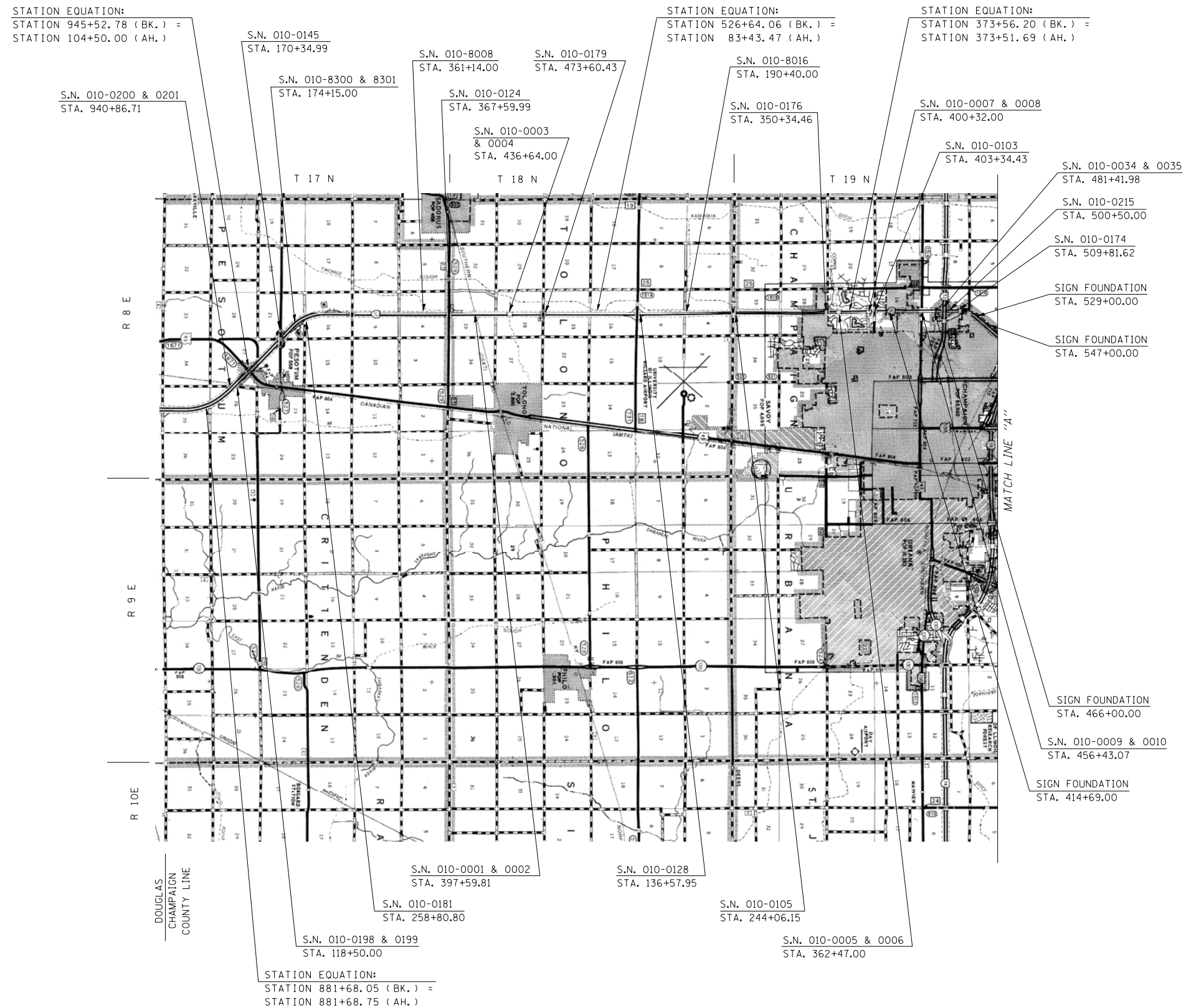
PLOT DATE = 3/30/2007  
FILE NAME = c:\p\projects\d5\1406 (v8)\70628\01\sheet6.dgn  
PLOT SCALE = 42.3523 / IN.  
USER NAME = pier-sonbr

ILLINOIS DEPARTMENT OF TRANSPORTATION  
**LOCATION MAP**  
**STRUCTURES IN DOUGLAS COUNTY**  
F.A.I. ROUTE 57 (I-57)  
SECTION D5 SAFETY IMPROVEMENT 2007-2  
CHAMPAIGN, COLES, & DOUGLAS COUNTIES  
SCALE: NOT TO SCALE  
DATE: 02/22/07  
DRAWN BY: B.B.P.  
CHECKED BY: M.L.B.

F.A.I. RTE.	SECTION	COUNTY	TOTAL SHEETS	SHEET NO.
57	•	••	153	7

# LOCATION MAP OF STRUCTURES IN CHAMPAIGN COUNTY

STA.	TO STA.
FED. ROAD DIST. NO.	ILLINOIS FED. AID PROJECT
• D5 SAFETY IMPROVEMENT 2007-2	
•• CHAMPAIGN, COLES, & DOUGLAS	



PLOT DATE = 3/30/2007  
FILE NAME = c:\projects\d5i4406 (v8)\70628\sheet7.dgn  
PLOT SCALE = 42.3523 / IN.  
USER NAME = pier-sonbr

ILLINOIS DEPARTMENT OF TRANSPORTATION  
**LOCATION MAP**  
**STRUCTURES IN CHAMPAIGN COUNTY**  
F.A.I. ROUTE 57 (I-57)  
SECTION D5 SAFETY IMPROVEMENT 2007-2  
CHAMPAIGN, COLES, & DOUGLAS COUNTIES  
SCALE: NOT TO SCALE DRAWN BY: B.B.P.  
DATE: 02/23/07 CHECKED BY: M.L.B.

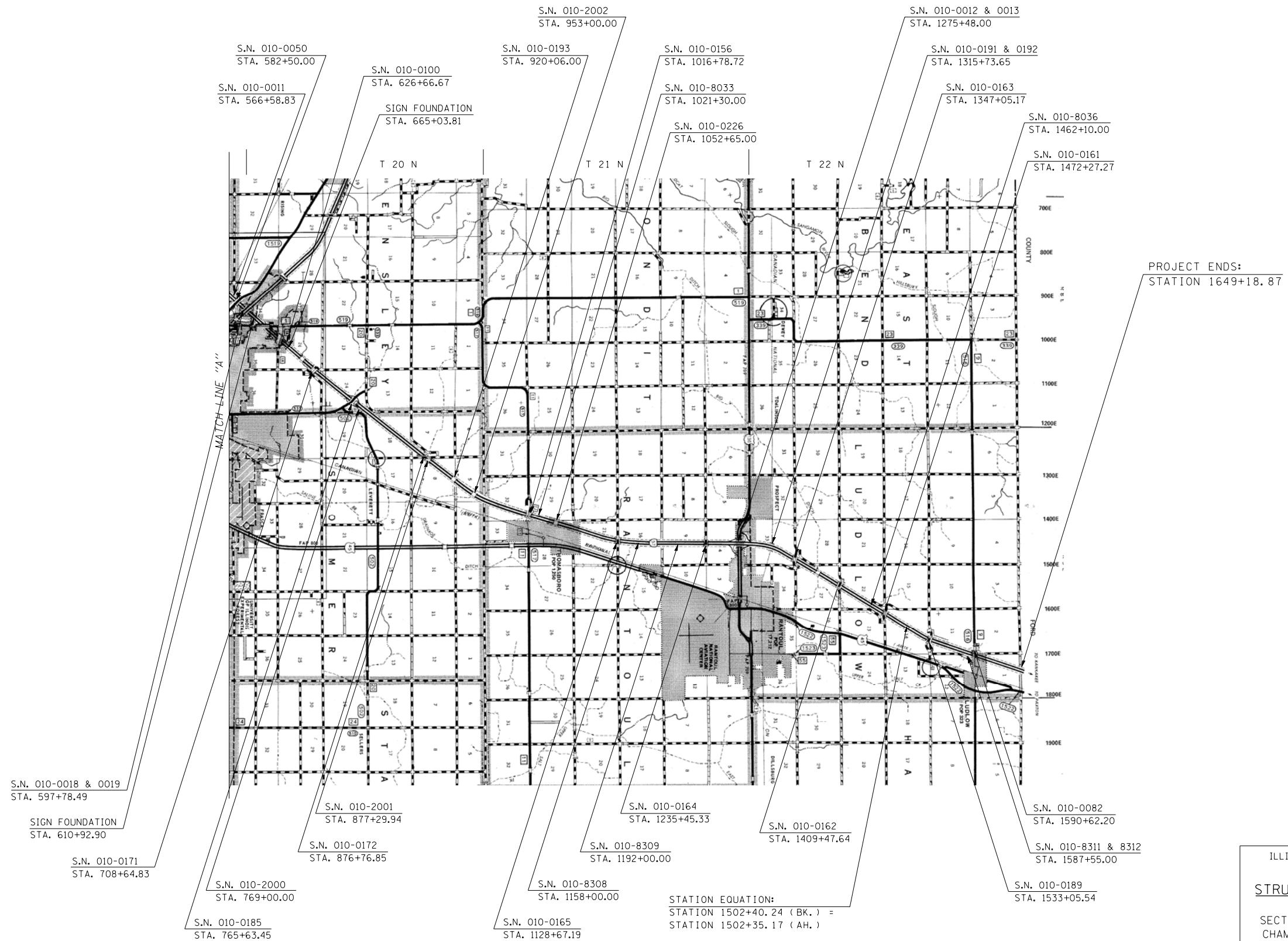
F.A.I. RTE.	SECTION	COUNTY	TOTAL SHEETS	SHEET NO.
57	•	••	153	8

# LOCATION MAP OF STRUCTURES IN CHAMPAIGN COUNTY

PAGE 2 OF 2

STA.	TO STA.
FED. ROAD DIST. NO.	ILLINOIS FED. AID PROJECT

• D5 SAFETY IMPROVEMENT 2007-2  
•• CHAMPAIGN, COLES, & DOUGLAS



PLOT DATE = 3/30/2007  
FILE NAME = c:\p\projects\d5\14406 (v8)\70628\sheet8.dgn  
PLOT SCALE = 42.3523 / IN.  
USER NAME = pier-sonbr

ILLINOIS DEPARTMENT OF TRANSPORTATION  
**LOCATION MAP**  
**STRUCTURES IN CHAMPAIGN COUNTY**  
F.A.I. ROUTE 57 (I-57)  
SECTION D5 SAFETY IMPROVEMENT 2007-2  
CHAMPAIGN, COLES, & DOUGLAS COUNTIES

SCALE: NOT TO SCALE  
DATE: 02/23/07

DRAWN BY: B.B.P.  
CHECKED BY: M.L.B.





F.A.I. RTE.	SECTION	COUNTY	TOTAL SHEETS	SHEET NO.
57	*	**	153	10
STA.		TO STA.		
FED. ROAD DIST. NO.		ILLINOIS	FED. AID PROJECT	
* D5 SAFETY IMPROVEMENT 2007-2				
** CHAMPAIGN, COLES, & DOUGLAS				

# SUMMARY OF QUANTITIES

SHEET 2 OF 2

**100% STATE**

CODE NO	ITEM	UNIT	TOTAL QUANTITY	COLES COUNTY		DOUGLAS COUNTY		CHAMPAIGN COUNTY		CHAMPAIGN COUNTY	
				90% FEDERAL 10% STATE	SFTY-3J	90% FEDERAL 10% STATE	SFTY-3J	90% FEDERAL 10% STATE	SFTY-3J	90% FEDERAL 10% STATE	SFTY-3J
	LOCATION OF WORK:			FAI 57 I - 57 RURAL COLES COUNTY	STA 1382+78.35 TO 1386+91.00	FAI 57 I - 57 RURAL DOUGLAS COUNTY	STA 1386+91.00 TO STA 848+50.05	FAI 57 I - 57 RURAL CHAMPAIGN COUNTY	STA 848+50.05 TO STA 244+06.15 STA 680+87.80 TO STA 1258+10.00 STA 1292+95.00 TO STA 1649+18.87	FAI 57 I - 57 URBAN CHAMPAIGN COUNTY	STA 244+06.15 TO STA 680+87.80 STA 1258+10.00 TO STA 1292+95.00
	FUNDING BREAKOUT:			90% FEDERAL 10% STATE		90% FEDERAL 10% STATE		90% FEDERAL 10% STATE		90% FEDERAL 10% STATE	
	CONSTRUCTION TYPE CODE:			SFTY-3J		SFTY-3J		SFTY-3J		SFTY-3J	
* 63000000	STEEL PLATE BEAM GUARDRAIL, TYPE A	FOOT	55,809.5	212.5		16,242.5		26,218.0		13,136.5	0.0
* 63000005	STEEL PLATE BEAM GUARDRAIL, TYPE B	FOOT	525.0	0.0		100.0		425.0		0.0	0.0
* 63000025	STEEL PLATE BEAM GUARDRAIL, ATTACHED TO STRUCTURES	FOOT	437.5	0.0		75.0		362.5		0.0	0.0
* 63100045	TRAFFIC BARRIER TERMINAL, TYPE 2	EACH	54.0	0.0		11.0		29.0		14.0	0.0
* 63100070	TRAFFIC BARRIER TERMINAL, TYPE 5	EACH	13.0	0.0		8.0		5.0		0.0	0.0
* 63100085	TRAFFIC BARRIER TERMINAL, TYPE 6	EACH	68.0	0.0		26.0		22.0		20.0	0.0
* 63100087	TRAFFIC BARRIER TERMINAL, TYPE 6A	EACH	4.0	0.0		0.0		4.0		0.0	0.0
* 63100089	TRAFFIC BARRIER TERMINAL, TYPE 6B	EACH	69.0	1.0		17.0		35.0		16.0	0.0
* 63100167	TRAFFIC BARRIER TERMINAL TYPE 1, SPECIAL (TANGENT)	EACH	13.0	0.0		5.0		6.0		2.0	0.0
* 63100169	TRAFFIC BARRIER TERMINAL TYPE 1, SPECIAL (FLARED)	EACH	157.0	1.0		47.0		69.0		40.0	0.0
* 63100217	TRAFFIC BARRIER TERMINAL, TYPE 6B (SPECIAL)	EACH	4.0	0.0		0.0		0.0		4.0	0.0
63200310	GUARDRAIL REMOVAL	FOOT	71,478.0	152.0		23,058.0		32,226.0		16,042.0	0.0
* 63300725	STEEL PLATE BEAM GUARDRAIL (SHORT RADIUS)	FOOT	225.0	0.0		225.0		0.0		0.0	0.0
63400105	GUARD POSTS	EACH	120.0	5.0		55.0		50.0		10.0	0.0
63400205	GUARD POSTS REMOVAL	EACH	16.0	12.0		4.0		0.0		0.0	0.0
63500105	DELINEATORS	EACH	109.0	0.0		50.0		36.0		23.0	0.0
63500120	DELINEATORS REMOVAL	EACH	109.0	0.0		50.0		36.0		23.0	0.0
67000400	ENGINEER'S FIELD OFFICE, TYPE A	CAL MO	6.0	0.0		2.0		3.0		1.0	0.0
67100100	MOBILIZATION	L SUM	1.0	0.0		0.3		0.5		0.2	0.0
70100420	TRAFFIC CONTROL AND PROTECTION, STANDARD 701411	EACH	26.0	0.0		2.0		10.0		14.0	0.0
70100700	TRAFFIC CONTROL AND PROTECTION, STANDARD 701406	L SUM	1.0	0.0		0.3		0.5		0.2	0.0
78200410	GUARDRAIL MARKERS, TYPE A	EACH	784.0	4.0		223.0		344.0		213.0	0.0
78201000	TERMINAL MARKER - DIRECT APPLIED	EACH	170.0	1.0		52.0		75.0		42.0	0.0
X0324043	GRATING FOR CONCRETE HEADWALL	EACH	10.0	0.0		10.0		0.0		0.0	0.0
X7015005	CHANGEABLE MESSAGE SIGN	CAL DA	33.0	7.0		7.0		7.0		12.0	0.0
XX002909	CLASS SI CONCRETE	CU YD	46.2	0.0		12.6		28.1		5.5	0.0
* Z0026260	FURNISHING AND INSTALLING TUBULAR THRIE BEAM	FOOT	803.6	0.0		0.0		51.0		752.6	0.0
Z0030150	IMPACT ATTENUATORS (NON-REDIRECTIVE), TEST LEVEL 3	EACH	24.0	1.0		11.0		10.0		2.0	0.0
* SPECIALTY ITEMS											

PLOT DATE = 3/30/2007  
 FILE NAME = G:\projects\514406 (v8)\70628\1011\sheets.dgn  
 PLOT FILE = 02.3523 / IN  
 USER NAME = pbrsonb

ILLINOIS DEPARTMENT OF TRANSPORTATION  
**SUMMARY OF QUANTITIES**  
 F.A.I. ROUTE 57 (I-57)  
 SECTION D5 SAFETY IMPROVEMENT 2007-2  
 CHAMPAIGN, COLES, & DOUGLAS COUNTIES  
 Sheet 2 of 2  
 SCALE: NOT TO SCALE  
 DATE: 03/24/07  
 DRAWN BY: B.B.P.  
 CHECKED BY: M.L.B.

# EARTHWORK ANALYSIS

SHEET 1 OF 3

F.A.I. RTE.	SECTION	COUNTY	TOTAL SHEETS	SHEET NO.
57	•	••	153	11
STA.		TO STA.		
FED. ROAD DIST. NO.	ILLINOIS	FED. AID PROJECT		
• D5 SAFETY IMPROVEMENT 2007-2 •• CHAMPAIGN, COLES, & DOUGLAS				

EARTHWORK ANALYSIS

LOCATION	EARTH EXCAVATION	EARTH EXCAVATION EMBANKMENT ADJUSTED FOR SHRINKAGE (25%)	EMBANKMENT	EARTHWORK BALANCE WASTE (+) OR SHORTAGE (-)
	CU YD	CU YD	CU YD	CU YD
<u>IMPACT ATTENUATORS</u>				
<u>COLES COUNTY: RURAL</u>				
015-0063	22.20	16.65	69.30	-52.65
<u>DOUGLAS COUNTY: RURAL</u>				
015-0063	3.80	2.85	82.70	-79.85
021-0024	3.00	2.25	138.00	-135.75
021-0041	28.00	21.00	239.00	-218.00
021-0044	0.00	0.00	227.00	-227.00
021-0043	21.00	15.75	64.00	-48.25
021-0034	14.00	10.50	193.00	-182.50
<u>CHAMPAIGN COUNTY: RURAL</u>				
010-0145	7.00	5.25	367.00	-361.75
010-0181	0.00	0.00	1036.00	-1036.00
010-0156	4.00	3.00	257.00	-254.00
010-0165	49.00	36.75	105.00	-68.25
010-0164	29.00	21.75	133.00	-111.25
<u>CHAMPAIGN COUNTY: URBAN</u>				
010-0176	0.00	0.00	586.00	-586.00

EARTHWORK ANALYSIS

LOCATION	EARTH EXCAVATION	EARTH EXCAVATION EMBANKMENT ADJUSTED FOR SHRINKAGE (25%)	EMBANKMENT	EARTHWORK BALANCE WASTE (+) OR SHORTAGE (-)
	CU YD	CU YD	CU YD	CU YD
<u>WIDENING FOR TRAFFIC BARRIER TERMINAL TYPE 1' s</u>				
<u>COLES COUNTY: RURAL</u>				
1385+91.00 RT	0.00	0.00	11.50	-11.50
<u>DOUGLAS COUNTY: RURAL</u>				
1389+16.15 LT	0.00	0.00	11.50	-11.50
1393+61.2 RT	0.00	0.00	11.50	-11.50
1399+77.33 LT	0.00	0.00	11.50	-11.50
124+37.56 RT	0.00	0.00	1.00	-1.00
57+91.10 LT	0.00	0.00	1.00	-1.00
55+73.23 RT	0.00	0.00	1.00	-1.00
390+64.33 RT	0.00	0.00	1.00	-1.00
57+39.33 RT	0.00	0.00	11.50	-11.50
1489+53.88 LT	0.00	0.00	11.50	-11.50
1495+26.68 RT	0.00	0.00	11.50	-11.50
116+88.25 MED RT	0.00	0.00	11.50	-11.50
121+63.25 LT	0.00	0.00	11.50	-11.50
129+92.75 MED LT	0.00	0.00	11.50	-11.50
140+42.75 RT	0.00	0.00	11.50	-11.50
148+77.35 LT	0.00	0.00	11.50	-11.50
154+50.15 RT	0.00	0.00	11.50	-11.50
249+83.75 LT	0.00	0.00	11.50	-11.50
255+40.00 RT	0.00	0.00	11.50	-11.50
308+24.90 LT	0.00	0.00	11.50	-11.50
314+02.20 RT	0.00	0.00	11.50	-11.50
320+65.35 MED RT	0.00	0.00	11.50	-11.50
320+02.85 MED LT	0.00	0.00	11.50	-11.50
327+14.15 LT	0.00	0.00	11.50	-11.50
327+76.65 RT	0.00	0.00	11.50	-11.50
377+64.85 LT	0.00	0.00	11.50	-11.50
383+97.40 RT	0.00	0.00	11.50	-11.50
419+24.33 MED RT	0.00	0.00	11.50	-11.50
418+51.83 MED LT	0.00	0.00	11.50	-11.50
425+20.67 LT	0.00	0.00	11.50	-11.50
425+93.17 RT	0.00	0.00	11.50	-11.50

PLOT DATE = 3/30/2007  
 FILE NAME = c:\projects\d5\406\1\8\70628\sheet1.dgn  
 PLOT SCALE = 42.3523 / IN.  
 USER NAME = pier-sonbr

ILLINOIS DEPARTMENT OF TRANSPORTATION  
**EARTHWORK ANALYSIS**  
 F.A.I. ROUTE 57 (I-57)  
 SECTION D5 SAFETY IMPROVEMENT 2007-2  
 CHAMPAIGN, COLES, & DOUGLAS COUNTIES  
 Sheet 1 of 3

SCALE: NOT TO SCALE  
 DATE: 03/23/07

DRAWN BY: B.B.P.  
 CHECKED BY: M.L.B.

# EARTHWORK ANALYSIS

SHEET 2 OF 3

F.A.I. RTE.	SECTION	COUNTY	TOTAL SHEETS	SHEET NO.
57	•	••	153	12
STA.		TO STA.		
FED. ROAD DIST. NO.	ILLINOIS	FED. AID PROJECT		
• D5 SAFETY IMPROVEMENT 2007-2				
•• CHAMPAIGN, COLES, & DOUGLAS				

## EARTHWORK ANALYSIS

LOCATION	EARTH EXCAVATION		EMBANKMENT	EARTHWORK BALANCE WASTE (+) OR SHORTAGE (-)
	EARTH EXCAVATION	EMBANKMENT ADJUSTED FOR SHRINKAGE (25%)		
	CU YD	CU YD	CU YD	CU YD
<u>WIDENING FOR TRAFFIC BARRIER TERMINAL TYPE 1's</u>				
<u>DOUGLAS COUNTY: RURAL, CON'T.</u>				
434+99.65 LT	0.00	0.00	11.50	-11.50
440+51.35 RT	0.00	0.00	11.50	-11.50
459+91.33 MED RT	0.00	0.00	11.50	-11.50
459+54.88 MED LT	0.00	0.00	11.50	-11.50
467+35.67 LT	0.00	0.00	11.50	-11.50
467+74.67 RT	0.00	0.00	11.50	-11.50
525+28.45 MED RT	0.00	0.00	11.50	-11.50
524+65.95 MED LT	0.00	0.00	11.50	-11.50
532+86.15 LT	0.00	0.00	11.50	-11.50
533+48.65 RT	0.00	0.00	11.50	-11.50
547+51.47 MED RT	0.00	0.00	11.50	-11.50
550+26.47 MED LT	0.00	0.00	11.50	-11.50
559+84.27 MED RT	0.00	0.00	11.50	-11.50
556+63.27 LT	0.00	0.00	11.50	-11.50
567+73.24 MED LT	0.00	0.00	11.50	-11.50
566+57.24 RT	0.00	0.00	11.50	-11.50
579+11.68 LT	0.00	0.00	11.50	-11.50
586+10.18 RT	0.00	0.00	11.50	-11.50
684+60.15 LT	0.00	0.00	11.50	-11.50
690+84.45 RT	0.00	0.00	11.50	-11.50
790+27.05 LT	0.00	0.00	11.50	-11.50
795+81.15 LT	0.00	0.00	11.50	-11.50
<u>CHAMPAIGN COUNTY: RURAL</u>				
933+58.64 RT	0.00	0.00	11.50	-11.50
934+61.82 MED RT	0.00	0.00	11.50	-11.50
945+21.17 LT	0.00	0.00	11.50	-11.50
24+83.33 MED LT	0.00	0.00	11.50	-11.50
114+42.76 RT	0.00	0.00	11.50	-11.50
113+80.26 MED RT	0.00	0.00	11.50	-11.50
121+84.75 LT	0.00	0.00	11.50	-11.50
122+47.25 MED LT	0.00	0.00	11.50	-11.50
166+35.93 RT	0.00	0.00	28.50	-28.50
175+99.05 LT	0.00	0.00	28.50	-28.50
172+17.23 MED LT	0.00	0.00	28.50	-28.50
170+92.05 MED RT	0.00	0.00	28.50	-28.50
176+94.05 RT	0.00	0.00	28.50	-28.50

## EARTHWORK ANALYSIS

LOCATION	EARTH EXCAVATION		EMBANKMENT	EARTHWORK BALANCE WASTE (+) OR SHORTAGE (-)
	EARTH EXCAVATION	EMBANKMENT ADJUSTED FOR SHRINKAGE (25%)		
	CU YD	CU YD	CU YD	CU YD
<u>CHAMPAIGN COUNTY: RURAL, CON'T.</u>				
255+31.65 RT	0.00	0.00	28.50	-28.50
261+57.45 LT	0.00	0.00	28.50	-28.50
386+51.40 RT	0.00	0.00	28.50	-28.50
392+41.36 MED RT	0.00	0.00	28.50	-28.50
409+58.22 LT	0.00	0.00	28.50	-28.50
402+05.76 MED LT	0.00	0.00	28.50	-28.50
<u>CHAMPAIGN COUNTY: URBAN</u>				
358+72.87 RT	0.00	0.00	28.50	-28.50
358+91.32 MED RT	0.00	0.00	28.50	-28.50
365+15.48 MED LT	0.00	0.00	28.50	-28.50
365+67.68 LT	0.00	0.00	28.50	-28.50
396+39.18 RT	0.00	0.00	28.50	-28.50
411+59.40 MED LT	0.00	0.00	28.50	-28.50
493+55.73 LT	0.00	0.00	28.50	-28.50
525+90.40 RT	0.00	0.00	28.50	-28.50
543+63.23 LT	0.00	0.00	28.50	-28.50
562+48.95 RT	0.00	0.00	28.50	-28.50
569+06.21 LT	0.00	0.00	28.50	-28.50
578+96.85 RT	0.00	0.00	11.50	-11.50
580+27.98 MED RT	0.00	0.00	28.50	-28.50
585+30.65 LT	0.00	0.00	11.50	-11.50
595+26.84 RT	0.00	0.00	11.50	-11.50
599+95.14 MED RT	0.00	0.00	28.50	-28.50
612+22.17 LT	0.00	0.00	11.50	-11.50
622+32.74 RT	0.00	0.00	11.50	-11.50
630+28.27 LT	0.00	0.00	11.50	-11.50
667+85.46 LT	0.00	0.00	11.50	-11.50
<u>CHAMPAIGN COUNTY: RURAL</u>				
705+14.01 RT	0.00	0.00	11.50	-11.50
711+43.15 LT	0.00	0.00	11.50	-11.50
762+04.16 RT	0.00	0.00	11.50	-11.50
771+76.24 LT	0.00	0.00	11.50	-11.50
765+63.23 RT	0.00	0.00	11.50	-11.50
872+35.72 RT	0.00	0.00	11.50	-11.50
880+45.90 LT	0.00	0.00	11.50	-11.50

PLOT DATE = 3/30/2007  
 FILE NAME = c:\projects\rs\d51406\1v8\70628\sheet2.dgn  
 PLOT SCALE = 42.3523 / IN.  
 USER NAME = pier-sonbr

ILLINOIS DEPARTMENT OF TRANSPORTATION  
**EARTHWORK ANALYSIS**  
 F.A.I. ROUTE 57 (1-57)  
 SECTION D5 SAFETY IMPROVEMENT 2007-2  
 CHAMPAIGN, COLES, & DOUGLAS COUNTIES  
 Sheet 2 of 3

SCALE: NOT TO SCALE  
 DATE: 03/23/07

DRAWN BY: B.B.P.  
 CHECKED BY: M.L.B.

F.A.I. RTE.	SECTION	COUNTY	TOTAL SHEETS	SHEET NO.
57	•	••	153	13

# EARTHWORK ANALYSIS

SHEET 3 OF 3

STA.	TO STA.
FED. ROAD DIST. NO.	ILLINOIS FED. AID PROJECT

- D5 SAFETY IMPROVEMENT 2007-2
- CHAMPAIGN, COLES, & DOUGLAS

## EARTHWORK ANALYSIS

## EARTHWORK ANALYSIS

LOCATION	EARTH EXCAVATION	EARTH EXCAVATION FOR SHRINKAGE (25%)	EMBANKMENT	EARTHWORK BALANCE WASTE (+) OR SHORTAGE (-)
	CU YD	CU YD	CU YD	CU YD
<u>WIDENING FOR TRAFFIC BARRIERS TYPE 1, Con't.</u>				
716+80.00 RT	0.00	0.00	28.50	-28.50
922+52.50 LT	0.00	0.00	28.50	-28.50
949+07.24 RT	0.00	0.00	28.50	-28.50
955+95.26 LT	0.00	0.00	28.50	-28.50
1013+30.57 RT	0.00	0.00	28.50	-28.50
1019+54.37 LT	0.00	0.00	28.50	-28.50
1018+46.50 RT	0.00	0.00	28.50	-28.50
1022+92.00 LT	0.00	0.00	28.50	-28.50
1049+38.00 RT	0.00	0.00	28.50	-28.50
1055+87.50 LT	0.00	0.00	28.50	-28.50
1125+26.54 RT	0.00	0.00	28.50	-28.50
1130+85.34 LT	0.00	0.00	28.50	-28.50
1154+69.50 RT	0.00	0.00	28.50	-28.50
1160+59.50 LT	0.00	0.00	28.50	-28.50
1188+98.00 RT	0.00	0.00	28.50	-28.50
1194+28.50 LT	0.00	0.00	28.50	-28.50
1231+97.18 RT	0.00	0.00	28.50	-28.50
1238+20.98 LT	0.00	0.00	28.50	-28.50
<u>CHAMPAIGN COUNTY: URBAN</u>				
1271+11.83 RT	0.00	0.00	28.50	-28.50
1270+11.83 MED RT	0.00	0.00	28.50	-28.50
1279+11.87 MED LT	0.00	0.00	28.50	-28.50
1280+11.87 LT	0.00	0.00	28.50	-28.50

LOCATION	EARTH EXCAVATION	EARTH EXCAVATION FOR SHRINKAGE (25%)	EMBANKMENT	EARTHWORK BALANCE WASTE (+) OR SHORTAGE (-)
	CU YD	CU YD	CU YD	CU YD
<u>CHAMPAIGN COUNTY: RURAL</u>				
1310+84.98 RT	0.00	0.00	11.50	-11.50
1310+60.48 MED RT	0.00	0.00	11.50	-11.50
1328+39.21 LT	0.00	0.00	11.50	-11.50
1320+13.98 MED LT	0.00	0.00	11.50	-11.50
1344+00.24 RT	0.00	0.00	11.50	-11.50
1349+22.6 LT	0.00	0.00	11.50	-11.50
1406+50.19 RT	0.00	0.00	11.50	-11.50
1411+72.59 LT	0.00	0.00	11.50	-11.50
1465+11.75 LT	0.00	0.00	11.50	-11.50
1469+22.34 RT	0.00	0.00	11.50	-11.50
1474+59.70 LT	0.00	0.00	11.50	-11.50
1529+82.39 RT	0.00	0.00	11.50	-11.50
1535+56.19 LT	0.00	0.00	11.50	-11.50
1584+08.08 RT	0.00	0.00	11.50	-11.50
1583+08.08 MED RT	0.00	0.00	11.50	-11.50
1591+12.32 MED LT	0.00	0.00	11.50	-11.50
1593+20.38 MED LT	0.00	0.00	11.50	-11.50

TOTALS=	181.00	135.75	5,824.00	-5,688.25
FINAL TOTALS=	181.0	135.75	5824.0	5689.0

EARTHWORK BALANCE = EARTH EXCAVATION X ADJUSTMENT FOR SHRINKAGE (0.75) = EMBANKMENT

EARTH EXCAVATION = 181.0 CUBIC YARDS  
 FURNISHED EXCAVATION = 5,689.0 CUBIC YARDS

PLOT DATE = 3/30/2007  
 FILE NAME = c:\projects\d51406\18\70628\sheet3.dgn  
 PLOT SCALE = 42.3523 / IN.  
 USER NAME = pier-sonbr

ILLINOIS DEPARTMENT OF TRANSPORTATION  
**EARTHWORK ANALYSIS**  
 F.A.I. ROUTE 57 (1-57)  
 SECTION D5 SAFETY IMPROVEMENT 2007-2  
 CHAMPAIGN, COLES, & DOUGLAS COUNTIES  
*Sheet 3 of 3*

SCALE: NOT TO SCALE      DRAWN BY: B.B.P.  
 DATE: 03/23/07      CHECKED BY: M.L.B.

# GUARDRAIL SCHEDULES

SHEET 1 of 19

F.A.I. RTE.	SECTION	COUNTY	TOTAL SHEETS	SHEET NO.
57	•	••	153	14
STA.		TO STA.		
FED. ROAD DIST. NO.	ILLINOIS	FED. AID PROJECT		

- D5 SAFETY IMPROVEMENT 2007-2
- CHAMPAIGN, COLES, & DOUGLAS

COLES COUNTY: RURAL

015-0063

63200310 GUARDRAIL REMOVAL

STATION	TO	STATION		LENGTH (FT)
1384+32.00		1385+84.00	RT	152.00

63100169 TRAFFIC BARRIER TERMINAL TYPE 1, SPECIAL (FLARED)

STATION	TO	STATION		EACH
1382+78.35		1383+28.35	RT	1.0

63000000 STEEL PLATE BEAM GUARDRAIL, TYPE A

STATION	TO	STATION		LENGTH (FT)
1383+28.35		1385+40.85	RT	212.50

63100089 TRAFFIC BARRIER TERMINAL TYPE 6B

STATION	TO	STATION		EACH
1385+40.85		1385+97.50	RT	1.0

78201000 TERMINAL MARKER - DIRECT APPLIED

STATION		EACH
1382+78.35	RT	1.0

### GENERAL NOTES

RT. AND MED. RT. WILL ALWAYS BE NORTHBOUND ON F.A.I. 57.

LT. AND MED. LT. WILL ALWAYS BE SOUTHBOUND ON F.A.I. 57

PLOT DATE = 3/30/2007  
 FILE NAME = c:\projects\d5\406\148\70628\sheet1.dgn  
 PLOT SCALE = 42.3523 / IN.  
 USER NAME = pier-sonbr

# GUARDRAIL SCHEDULES

SHEET 2 of 19

F.A.I. RTE.	SECTION	COUNTY	TOTAL SHEETS	SHEET NO.
57	.	..	153	15
STA.		TO STA.		
FED. ROAD DIST. NO.		ILLINOIS	FED. AID PROJECT	

- D5 SAFETY IMPROVEMENT 2007-2
- CHAMPAIGN, COLES, & DOUGLAS

DOUGLAS COUNTY: RURAL

015-0063

63200310 GUARDRAIL REMOVAL

STATION TO	STATION		LENGTH (FT)
1385+98.00	1387+50.00	LT	152.00

63100169 TRAFFIC BARRIER TERMINAL TYPE 1, SPECIAL (FLARED)

STATION TO	STATION		EACH
1389+03.65	1389+53.65	LT	1.0

63000000 STEEL PLATE BEAM GUARDRAIL, TYPE A

STATION TO	STATION		LENGTH (FT)
1386+41.15	1389+03.65	LT	262.50

63100089 TRAFFIC BARRIER TERMINAL TYPE 6B

STATION TO	STATION		EACH
1385+84.50	1386+41.15	LT	1.0

78201000 TERMINAL MARKER - DIRECT APPLIED

STATION		EACH
1389+53.65	LT	1.0

021-2000

63200310 GUARDRAIL REMOVAL

STATION TO	STATION		LENGTH (FT)
1394+92.00	1396+54.50	RT	162.50
1397+34.00	1398+96.50	LT	162.50

63100169 TRAFFIC BARRIER TERMINAL TYPE 1, SPECIAL (FLARED)

STATION TO	STATION		EACH
1393+61.20	1394+11.20	RT	1.0
1399+64.80	1400+14.80	LT	1.0

63000000 STEEL PLATE BEAM GUARDRAIL, TYPE A

STATION TO	STATION		LENGTH (FT)
1394+11.20	1396+11.20	RT	200.00
1397+64.80	1399+64.80	LT	200.00

63000005 STEEL PLATE BEAM GUARDRAIL, TYPE B

STATION TO	STATION		LENGTH (FT)
1396+11.20	1396+36.20	RT	25.00
1397+39.80	1397+64.80	LT	25.00

63000025 STEEL PLATE BEAM GUARDRAIL, ATTACHED TO STRUCTURES

STATION TO	STATION		LENGTH (FT)
1396+36.20	1396+61.20	RT	25.00
1397+14.80	1397+39.80	LT	25.00

021-2000, Con't,

63100045 TRAFFIC BARRIER TERMINAL TYPE 2

STATION TO	STATION		EACH
1396+61.20	1396+75.47	RT	1.0
1397+00.53	1397+14.80	LT	1.0

78201000 TERMINAL MARKER - DIRECT APPLIED

STATION		EACH
1393+61.20	RT	1.0
1400+14.80	LT	1.0

021-0024

63200310 GUARDRAIL REMOVAL

STATION TO	STATION		LENGTH (FT)
1491+19.00	1492+94.00	RT	175.00
1492+59.00	1494+34.00	LT	175.00

63100169 TRAFFIC BARRIER TERMINAL TYPE 1, SPECIAL (FLARED)

STATION TO	STATION		EACH
1489+88.88	1490+38.88	RT	1.0
1495+14.18	1495+64.18	LT	1.0

63000000 STEEL PLATE BEAM GUARDRAIL, TYPE A

STATION TO	STATION		LENGTH (FT)
1490+38.88	1492+26.38	RT	187.50
1493+26.68	1495+14.18	LT	187.50

63100089 TRAFFIC BARRIER TERMINAL TYPE 6B

STATION TO	STATION		EACH
1492+26.38	1492+83.03		1.0
1492+69.63	1493+26.28		1.0

78201000 TERMINAL MARKER - DIRECT APPLIED

STATION		EACH
1489+88.88	RT	1.0
1495+64.18	LT	1.0

021-0024 (RAMPS)

63100167 TRAFFIC BARRIER TERMINAL TYPE 1, SPECIAL (TANGENT)

STATION TO	STATION		EACH	
124+48.23	124+98.23	RT	1.0	(RAMP A)
58+01.77	57+51.77 (IL 133)	RT	1.0	(RAMP B)
56+23.23	56+73.23 (IL 133)	LT	1.0	(RAMP B)
390+75.00	391+25.00	RT	1.0	(RAMP C)
57+50.00	58+00.00 (IL 133)	RT	1.0	(RAMP C)

63000000 STEEL PLATE BEAM GUARDRAIL, TYPE A

STATION TO	STATION		LENGTH (FT)	
124+98.23	127+35.73	RT	237.50	(RAMP A)
230+98.23	236+60.73	RT	562.50	(RAMP B)
231+10.63	231+60.63	LT	50.00	(RAMP B)
391+25.00	394+50.00	RT	325.00	(RAMP C)

021-0024 (RAMPS), Con't,

#5000828 RADIUS GUARDRAIL

STATION TO	STATION		LENGTH (FT)	
(IL 133) 57+51.77	230+98.23	RT	87.50	(RAMP B)
(IL 133) 56+73.23	231+60.63	LT	50.00	(RAMP B)
394+50.00	57+50.00 (IL 133)	RT	87.50	(RAMP C)

63100045 TRAFFIC BARRIER TERMINAL TYPE 2

STATION TO	STATION		EACH	
127+35.73	127+50.00	RT	1.0	(RAMP A)
236+60.73	236+75.00	RT	1.0	(RAMP B)
231+60.73	231+75.00	LT	1.0	(RAMP B)

78201000 TERMINAL MARKER - DIRECT APPLIED

STATION		EACH
124+48.23	RT	1.0
58+01.77 (IL 133)	RT	1.0
56+73.23 (IL 133)	LT	1.0
390+75.00	RT	1.0
57+50.00 (IL 133)	RT	1.0

PLOT DATE = 3/30/2007  
 FILE NAME = c:\p\projects\d514406\18\70628\sheet2.dgn  
 PLOT SCALE = 42.3523 / IN.  
 USER NAME = pier-sonbr

ILLINOIS DEPARTMENT OF TRANSPORTATION  
**GUARDRAIL SCHEDULES**  
 F.A.I. ROUTE 57 (I-57)  
 SECTION D5 SAFETY IMPROVEMENT 2007-2  
 CHAMPAIGN, COLES, & DOUGLAS COUNTIES  
 Page 2 of 19

SCALE: NOT TO SCALE      DRAWN BY: B.B.P.  
 DATE: 03/23/07      CHECKED BY: M.L.B.

# GUARDRAIL SCHEDULES

SHEET 3 of 19

F.A.I. RTE.	SECTION	COUNTY	TOTAL SHEETS	SHEET NO.
57	•	••	153	16

STA. TO STA.  
 FED. ROAD DIST. NO. ILLINOIS FED. AID PROJECT  
 • D5 SAFETY IMPROVEMENT 2007-2  
 •• CHAMPAIGN, COLES, & DOUGLAS

021-0001 & 021-0002

63200310 GUARDRAIL REMOVAL

STATION TO	STATION		LENGTH (FT)
1508+45.00	125+31.40	RT	962.50
123+56.40	125+31.40	MED RT	175.00
126+97.10	138+59.60	RT	1162.50
1508+45.00	125+31.40	LT	962.50
126+97.10	128+72.10	MED LT	175.00
126+97.10	139+34.60	LT	1237.50

63100169 TRAFFIC BARRIER TERMINAL TYPE 1, SPECIAL (FLARED)

STATION TO	STATION		EACH
117+23.25	117+73.25	RT	1.0
121+98.25	122+48.25	MED RT	1.0
129+80.25	130+30.25	MED LT	1.0
140+30.25	140+80.25	LT	1.0

63000000 STEEL PLATE BEAM GUARDRAIL, TYPE A

STATION TO	STATION		LENGTH (FT)
117+73.25	124+85.75	RT	712.50
122+48.25	124+85.75	MED RT	237.50
127+42.75	137+92.75	RT	1050.00
120+10.75	124+85.75	LT	475.00
127+42.75	129+80.25	MED LT	237.50
127+42.75	140+30.25	LT	1287.50

63100085 TRAFFIC BARRIER TERMINAL TYPE 6

STATION TO	STATION		EACH
124+85.75	125+31.40	RT	1.0
124+85.75	125+31.40	MED RT	1.0
126+97.10	127+42.75	RT	1.0
124+85.75	125+31.40	LT	1.0
126+97.10	127+42.75	MED LT	1.0
126+97.10	127+42.75	LT	1.0

63100045 TRAFFIC BARRIER TERMINAL TYPE 2

STATION TO	STATION		EACH
137+92.75	138+07.02	RT	1.0
119+96.48	120+10.75	LT	1.0

78201000 TERMINAL MARKER - DIRECT APPLIED

STATION		EACH
117+23.25	RT	1.0
122+10.75	MED RT	1.0
130+30.25	MED LT	1.0
140+80.25	LT	1.0

021-0041

63200310 GUARDRAIL REMOVAL

STATION TO	STATION		LENGTH (FT)
150+57.90	152+07.90	RT	150.00
151+92.00	153+42.00	LT	150.00

63100169 TRAFFIC BARRIER TERMINAL TYPE 1, SPECIAL (FLARED)

STATION TO	STATION		EACH
149+12.35	149+62.35	RT	1.0
154+37.65	154+87.65	LT	1.0

63000000 STEEL PLATE BEAM GUARDRAIL, TYPE A

STATION TO	STATION		LENGTH (FT)
149+62.35	151+49.85	RT	187.50
152+50.15	154+37.65	LT	187.50

63100089 TRAFFIC BARRIER TERMINAL TYPE 6B

STATION TO	STATION		EACH
151+49.85	152+06.50		1.0
151+93.50	152+50.15		1.0

78201000 TERMINAL MARKER - DIRECT APPLIED

STATION		EACH
149+12.35	RT	1.0
154+87.65	LT	1.0

021-8300

63200310 GUARDRAIL REMOVAL

STATION TO	STATION		LENGTH (FT)
250+22.50	253+35.00	RT	312.50
252+65.00	255+77.50	LT	312.50

63100169 TRAFFIC BARRIER TERMINAL TYPE 1, SPECIAL (FLARED)

STATION TO	STATION		EACH
250+18.75	250+68.75	RT	1.0
255+31.25	255+81.25	LT	1.0

63000000 STEEL PLATE BEAM GUARDRAIL, TYPE A

STATION TO	STATION		LENGTH (FT)
250+68.75	252+68.75	RT	200.00
253+31.25	255+31.25	LT	200.00

63000005 STEEL PLATE BEAM GUARDRAIL, TYPE B

STATION TO	STATION		LENGTH (FT)
252+68.75	252+93.75	RT	25.00
253+06.25	253+31.25	LT	25.00

63000025 STEEL PLATE BEAM GUARDRAIL, ATTACHED TO STRUCTURES

STATION TO	STATION		LENGTH (FT)
252+93.75	253+06.25	RT	12.50
252+93.75	253+06.25	LT	12.50

021-8300, Con't.

63100045 TRAFFIC BARRIER TERMINAL TYPE 2

STATION TO	STATION		EACH
253+06.25	253+20.52	RT	1.0
252+79.48	252+93.75	LT	1.0

78201000 TERMINAL MARKER - DIRECT APPLIED

STATION		EACH
250+18.75	RT	1.0
255+81.25	LT	1.0

021-0037

63200310 GUARDRAIL REMOVAL

STATION TO	STATION		LENGTH (FT)
308+46.10	311+58.60	RT	312.50
311+45.40	314+57.90	LT	312.50

63100169 TRAFFIC BARRIER TERMINAL TYPE 1, SPECIAL (FLARED)

STATION TO	STATION		EACH
308+62.40	309+12.40	RT	1.0
313+89.70	314+39.70	LT	1.0

63000000 STEEL PLATE BEAM GUARDRAIL, TYPE A

STATION TO	STATION		LENGTH (FT)
309+12.40	310+99.90	RT	187.50
312+02.20	313+89.70	LT	187.50

63100089 TRAFFIC BARRIER TERMINAL TYPE 6B

STATION TO	STATION		EACH
310+99.90	311+56.55	RT	1.0
311+45.55	312+02.20	LT	1.0

78201000 TERMINAL MARKER - DIRECT APPLIED

STATION		EACH
308+62.40	RT	1.0
314+39.70	LT	1.0

PLOT DATE = 3/30/2007  
 FILE NAME = c:\projects\rs\d514406\1\8\70628\allsheets.dgn  
 PLOT SCALE = 42.3523 / IN.  
 USER NAME = pier-sonbr



# GUARDRAIL SCHEDULES

SHEET 4 of 19

F.A.I. RTE.	SECTION	COUNTY	TOTAL SHEETS	SHEET NO.
57	•	••	153	17

STA. TO STA.  
 FED. ROAD DIST. NO. ILLINOIS FED. AID PROJECT  
 • D5 SAFETY IMPROVEMENT 2007-2  
 •• CHAMPAIGN, COLES, & DOUGLAS

021-0003 & 021-0004

63200310 GUARDRAIL REMOVAL

STATION TO	STATION		LENGTH (FT)
320+42.10	323+71.00	RT	328.90
322+02.85	323+71.00	MED RT	168.15
324+81.00	327+99.15	LT	318.15
324+81.00	326+49.15	MED LT	168.15

63100169 TRAFFIC BARRIER TERMINAL TYPE 1, SPECIAL (FLARED)

STATION TO	STATION		EACH
321+00.35	321+50.35	RT	1.0
320+37.85	320+87.85	MED RT	1.0
327+01.65	327+51.65	LT	1.0
327+64.15	328+14.15	MED LT	1.0

63000000 STEEL PLATE BEAM GUARDRAIL, TYPE A

STATION TO	STATION		LENGTH (FT)
321+50.35	323+25.35	RT	175.00
320+87.85	323+25.35	MED RT	237.50
325+26.65	327+01.65	LT	175.00
325+26.65	327+64.15	MED LT	237.50

63100085 TRAFFIC BARRIER TERMINAL TYPE 6

STATION TO	STATION		EACH
323+25.35	323+71.00	RT	1.0
323+25.35	323+71.00	MED RT	1.0
324+81.00	325+26.65	LT	1.0
324+81.00	325+26.65	MED LT	1.0

78201000 TERMINAL MARKER - DIRECT APPLIED

STATION		EACH
321+00.35	RT	1.0
320+37.85	MED RT	1.0
327+51.65	LT	1.0
328+14.15	MED LT	1.0

021-0046

63200310 GUARDRAIL REMOVAL

STATION TO	STATION		LENGTH (FT)
377+82.50	380+95.00	RT	312.50
381+39.75	384+52.25	LT	312.50

63100169 TRAFFIC BARRIER TERMINAL TYPE 1, SPECIAL (FLARED)

STATION TO	STATION		EACH
377+99.85	378+49.85	RT	1.0
383+84.90	384+34.90	LT	1.0

63000000 STEEL PLATE BEAM GUARDRAIL, TYPE A

STATION TO	STATION		LENGTH (FT)
378+49.85	380+37.35	RT	187.50
381+97.40	383+84.90	LT	187.50

021-0046, Con't.

63100089 TRAFFIC BARRIER TERMINAL TYPE 6B

STATION TO	STATION		EACH
380+37.35	380+94.00	RT	1.0
381+40.75	381+97.40	LT	1.0

78201000 TERMINAL MARKER - DIRECT APPLIED

STATION		EACH
377+99.85	RT	1.0
384+34.90	LT	1.0

021-0005 & 021-0006

63200310 GUARDRAIL REMOVAL

STATION TO	STATION		LENGTH (FT)
419+20.85	422+39.00	RT	318.15
420+60.85	422+29.00	MED RT	168.15
422+81.00	425+99.15	LT	318.15
422+91.00	424+59.15	MED LT	168.15

63100169 TRAFFIC BARRIER TERMINAL TYPE 1, SPECIAL (FLARED)

STATION TO	STATION		EACH
419+61.83	420+11.83	RT	1.0
418+89.33	419+39.33	MED RT	1.0
425+08.17	425+58.17	LT	1.0
425+80.67	426+30.67	MED LT	1.0

63000000 STEEL PLATE BEAM GUARDRAIL, TYPE A

STATION TO	STATION		LENGTH (FT)
420+11.83	422+24.33	RT	212.50
419+39.33	422+14.33	MED RT	275.00
422+95.67	425+08.17	LT	212.50
423+05.67	425+80.67	MED LT	275.00

63100070 TRAFFIC BARRIER TERMINAL TYPE 5

STATION TO	STATION		EACH
422+24.33	422+39.00	RT	1.0
422+14.33	422+29.00	MED RT	1.0
422+81.00	422+95.67	LT	1.0
422+91.00	423+05.67	MED LT	1.0

78201000 TERMINAL MARKER - DIRECT APPLIED

STATION		EACH
419+61.83	RT	1.0
418+89.33	MED RT	1.0
425+58.17	LT	1.0
426+30.67	MED LT	1.0

021-0045

63200310 GUARDRAIL REMOVAL

STATION TO	STATION		LENGTH (FT)
435+19.50	438+32.00	RT	312.50
437+89.00	441+01.50	LT	312.50

021-0045, Con't.

63100169 TRAFFIC BARRIER TERMINAL TYPE 1, SPECIAL (FLARED)

STATION TO	STATION		EACH
435+34.65	435+84.65	RT	1.0
440+36.35	440+86.35	LT	1.0

63000000 STEEL PLATE BEAM GUARDRAIL, TYPE A

STATION TO	STATION		LENGTH (FT)
435+84.65	437+72.15	RT	187.50
438+48.85	440+36.35	LT	187.50

63100089 TRAFFIC BARRIER TERMINAL TYPE 6B

STATION TO	STATION		EACH
437+72.15	438+28.80	RT	1.0
437+92.20	438+48.85	LT	1.0

78201000 TERMINAL MARKER - DIRECT APPLIED

STATION		EACH
435+34.65	RT	1.0
440+86.35	LT	1.0

PLOT DATE = 3/30/2007  
 FILE NAME = c:\p\proj\rs\d514406\18\70628\sheet4.dgn  
 PLOT SCALE = 42.3523 / IN.  
 USER NAME = pfer-sonbr

# GUARDRAIL SCHEDULES

SHEET 5 of 19

F.A.I. RTE.	SECTION	COUNTY	TOTAL SHEETS	SHEET NO.
57	•	••	153	18

STA. TO STA.  
 FED. ROAD DIST. NO. ILLINOIS FED. AID PROJECT  
 • D5 SAFETY IMPROVEMENT 2007-2  
 •• CHAMPAIGN, COLES, & DOUGLAS

021-0007 & 021-0008

63200310 GUARDRAIL REMOVAL

STATION TO	STATION		LENGTH (FT)
459+87.85	463+06.00	RT	318.15
461+60.75	463+29.25	MED RT	168.50
464+96.00	468+14.50	LT	318.15
464+72.50	466+40.65	MED LT	168.15

63100169 TRAFFIC BARRIER TERMINAL TYPE 1, SPECIAL (FLARED)

STATION TO	STATION		EACH
460+28.83	460+78.33	RT	1.0
459+89.58	460+39.58	MED RT	1.0
467+73.17	468+23.17	LT	1.0
467+62.17	468+12.17	MED LT	1.0

63000000 STEEL PLATE BEAM GUARDRAIL, TYPE A

STATION TO	STATION		LENGTH (FT)
460+78.83	462+91.33	RT	212.50
460+39.58	463+14.58	MED RT	275.00
465+10.67	467+73.17	LT	262.50
464+87.17	467+62.17	MED LT	275.00

63100070 TRAFFIC BARRIER TERMINAL TYPE 5

STATION TO	STATION		EACH
462+91.33	463+06.00	RT	1.0
463+14.58	463+29.25	MED RT	1.0
464+96.00	465+10.67	LT	1.0
464+72.50	464+87.17	MED LT	1.0

78201000 TERMINAL MARKER - DIRECT APPLIED

STATION		EACH
460+28.83	RT	1.0
459+89.58	MED RT	1.0
467+73.17	LT	1.0
468+12.17	MED LT	1.0

021-0009 & 021-0010

63200310 GUARDRAIL REMOVAL

STATION TO	STATION		LENGTH (FT)
523+09.10	528+34.10	RT	525.00
526+46.60	528+34.10	MED RT	212.50
530+53.00	538+90.50	LT	837.50
530+53.00	532+28.00	MED LT	200.00

63100169 TRAFFIC BARRIER TERMINAL TYPE 1, SPECIAL (FLARED)

STATION TO	STATION		EACH
525+63.45	526+13.45	RT	1.0
525+00.95	525+50.95	MED RT	1.0
532+73.65	533+23.65	LT	1.0
533+36.15	533+86.15	MED LT	1.0

63000000 STEEL PLATE BEAM GUARDRAIL, TYPE A

STATION TO	STATION		LENGTH (FT)
526+13.45	527+88.45	RT	175.00
525+50.95	527+88.45	MED RT	237.50
530+98.65	532+73.65	LT	175.00
530+98.65	533+36.15	MED LT	237.50

021-0009 & 021-0010, Con't,

63100085 TRAFFIC BARRIER TERMINAL TYPE 6

STATION TO	STATION		EACH
527+88.45	528+34.10	RT	1.0
527+88.45	528+34.10	MED RT	1.0
530+53.00	530+98.65	LT	1.0
530+53.00	530+98.65	MED LT	1.0

78201000 TERMINAL MARKER - DIRECT APPLIED

STATION		EACH
525+63.45	RT	1.0
525+00.95	MED RT	1.0
533+23.65	LT	1.0
533+86.15	MED LT	1.0

021-2008 & 021-2009

63200310 GUARDRAIL REMOVAL

STATION TO	STATION		LENGTH (FT)
545+19.60	554+32.12	RT	912.50
552+32.10	554+32.12	MED RT	225.00
556+51.12	560+38.60	RT	387.50 attached to 021-2010
546+94.62	554+32.12	LT	737.50
556+51.12	558+88.60	MED LT	212.50
556+51.12	561+01.10	LT	212.50 attached to 021-2011

63100169 TRAFFIC BARRIER TERMINAL TYPE 1, SPECIAL (FLARED)

STATION TO	STATION		EACH
547+86.47	548+36.47	RT	1.0
550+61.47	551+11.47	MED RT	1.0
559+71.77	560+21.77	MED LT	1.0

63000000 STEEL PLATE BEAM GUARDRAIL, TYPE A

STATION TO	STATION		LENGTH (FT)
548+36.47	553+86.47	RT	550.00
551+11.47	553+86.47	MED RT	275.00
556+96.77	559+92.97	RT	296.20 attached to 021-2010
551+11.47	553+86.47	LT	275.00
556+96.77	559+71.77	MED LT	275.00
556+96.77	560+55.45	LT	358.68 attached to 021-2011

63100085 TRAFFIC BARRIER TERMINAL TYPE 6

STATION TO	STATION		EACH
553+86.47	554+32.12	RT	1.0
553+86.47	554+32.12	MED RT	1.0
556+51.12	556+96.77	RT	1.0 attached to 021-2010
559+92.97	560+38.62	RT	1.0 attached to 021-2010
553+86.47	554+32.12	LT	1.0
556+51.12	556+96.77	MED LT	1.0
556+51.12	556+96.77	LT	1.0 attached to 021-2011
560+55.45	561+01.10	LT	1.0 attached to 021-2011

021-2008 & 021-2009, Con't,

63100045 TRAFFIC BARRIER TERMINAL TYPE 2

STATION TO	STATION		EACH
550+97.20	551+11.47	LT	1.0

78201000 TERMINAL MARKER - DIRECT APPLIED

STATION		EACH
547+86.47	RT	1.0
550+61.47	MED RT	1.0
560+21.17	MED LT	1.0

021-2010 & 021-2011

63200310 GUARDRAIL REMOVAL

STATION TO	STATION		LENGTH (FT)
558+81.42	560+69.82	MED RT	212.50
562+75.09	565+12.59	RT	237.50
563+24.09	565+11.59	MED LT	212.50
563+40.09	567+52.59	LT	412.50

63100169 TRAFFIC BARRIER TERMINAL TYPE 1, SPECIAL (FLARED)

STATION TO	STATION		EACH
556+98.27	557+48.27	MED RT	1.0
567+60.74	568+10.74	LT	1.0
566+44.74	566+94.74	MED LT	1.0

63000000 STEEL PLATE BEAM GUARDRAIL, TYPE A

STATION TO	STATION		LENGTH (FT)
557+48.27	560+23.27	MED RT	275.00
563+20.74	564+95.74	RT	175.00
563+85.74	567+60.74	LT	375.00
563+69.74	566+44.74	MED LT	275.00

63100085 TRAFFIC BARRIER TERMINAL TYPE 6

STATION TO	STATION		EACH
560+23.27	560+68.92	MED RT	1.0
562+75.09	563+20.74	RT	1.0
563+40.09	563+85.74	LT	1.0
563+24.09	563+69.74	MED LT	1.0

63100045 TRAFFIC BARRIER TERMINAL TYPE 2

STATION TO	STATION		EACH
564+95.74	565+10.01	RT	1.0

78201000 TERMINAL MARKER - DIRECT APPLIED

STATION		EACH
556+98.27	MED RT	1.0
568+10.74	LT	1.0
566+94.74	MED LT	1.0

PLOT DATE = 3/30/2007  
 FILE NAME = c:\p\projects\d514406\18\70628\sheet5.dgn  
 PLOT SCALE = 42.3523 / IN.  
 USER NAME = pier-sonbr

ILLINOIS DEPARTMENT OF TRANSPORTATION  
**GUARDRAIL SCHEDULES**  
 F.A.I. ROUTE 57 (I-57)  
 SECTION D5 SAFETY IMPROVEMENT 2007-2  
 CHAMPAIGN, COLES, & DOUGLAS COUNTIES  
 Page 5 of 19

SCALE: NOT TO SCALE DRAWN BY: B.B.P.  
 DATE: 03/23/07 CHECKED BY: M.L.B.

# GUARDRAIL SCHEDULES

F.A.I. RTE.	SECTION	COUNTY	TOTAL SHEETS	SHEET NO.
57	.	..	153	19
STA.		TO STA.		
FED. ROAD DIST. NO.	ILLINOIS	FED. AID PROJECT		

- D5 SAFETY IMPROVEMENT 2007-2
- CHAMPAIGN, COLES, & DOUGLAS

021-0044

63200310 GUARDRAIL REMOVAL

STATION TO	STATION		LENGTH (FT)
580+17.03	582+02.33	RT	250.00
685+66.30	688+08.55	LT	250.00

63100169 TRAFFIC BARRIER TERMINAL TYPE 1, SPECIAL (FLARED)

STATION TO	STATION		EACH
579+46.68	579+96.68	RT	1.0
585+97.68	586+47.68	LT	1.0

63000000 STEEL PLATE BEAM GUARDRAIL, TYPE A

STATION TO	STATION		LENGTH (FT)
579+96.68	582+09.18	RT	212.50
583+10.18	585+97.68	LT	287.50

63100089 TRAFFIC BARRIER TERMINAL TYPE 6B

STATION TO	STATION		EACH
582+09.18	582+65.83	RT	1.0
582+53.53	583+10.18	LT	1.0

78201000 TERMINAL MARKER - DIRECT APPLIED

STATION		EACH
579+46.68	MED RT	1.0
586+47.68	LT	1.0

021-0043

63200310 GUARDRAIL REMOVAL

STATION TO	STATION		LENGTH (FT)
685+64.30	688+14.30	RT	250.00
688+00.80	690+50.80	LT	250.00

63100169 TRAFFIC BARRIER TERMINAL TYPE 1, SPECIAL (FLARED)

STATION TO	STATION		EACH
684+95.15	685+45.15	RT	1.0
690+71.95	691+21.95	LT	1.0

63000000 STEEL PLATE BEAM GUARDRAIL, TYPE A

STATION TO	STATION		LENGTH (FT)
685+45.15	687+57.65	RT	212.50
688+59.45	690+71.95	LT	212.50

63100089 TRAFFIC BARRIER TERMINAL TYPE 6B

STATION TO	STATION		EACH
687+57.65	688+14.30	RT	1.0
688+02.80	688+59.45	LT	1.0

78201000 TERMINAL MARKER - DIRECT APPLIED

STATION		EACH
684+95.15	RT	1.0
691+21.95	LT	1.0

021-0034

63200310 GUARDRAIL REMOVAL

STATION TO	STATION		LENGTH (FT)
793+13.00	795+63.00	RT	250.00
792+97.70	795+37.70	LT	240.00

63100169 TRAFFIC BARRIER TERMINAL TYPE 1, SPECIAL (FLARED)

STATION TO	STATION		EACH
789+92.05	790+42.05	RT	1.0
795+68.65	796+18.65	LT	1.0

63000000 STEEL PLATE BEAM GUARDRAIL, TYPE A

STATION TO	STATION		LENGTH (FT)
790+42.05	792+54.55	RT	212.50
793+56.15	795+68.65	LT	212.50

63100089 TRAFFIC BARRIER TERMINAL TYPE 6B

STATION TO	STATION		EACH
792+54.55	793+11.20	RT	1.0
792+99.50	793+56.15	LT	1.0

78201000 TERMINAL MARKER - DIRECT APPLIED

STATION		EACH
789+92.05	RT	1.0
796+18.65	LT	1.0

CHAMPAIGN COUNTY: RURAL

010-0200 & 010-0201

63200310 GUARDRAIL REMOVAL

STATION TO	STATION		LENGTH (FT)
930+26.79	938+89.29	RT	862.50
936+67.47	938+67.47	MED RT	200.00
942+55.21	49+75.00 (RAMP)	RT	1150.00
929+25.37	938+00.37	LT	875.00
941+88.02	944+13.02	MED LT	250.00
941+66.20	24+94.00 (RAMP)	LT	1637.50

63100169 TRAFFIC BARRIER TERMINAL TYPE 1, SPECIAL (FLARED)

STATION TO	STATION		EACH
933+93.64	934+43.64	RT	1.0
934+96.82	935+46.82	MED RT	1.0
945+08.67	945+58.67	MED LT	1.0

63100167 TRAFFIC BARRIER TERMINAL TYPE 1, SPECIAL (TANGENT)

24+44.00	24+94.00 (RAMP)	LT	1.0
----------	-----------------	----	-----

63000000 STEEL PLATE BEAM GUARDRAIL, TYPE A

STATION TO	STATION		LENGTH (FT)
934+43.64	938+43.64	RT	400.00
935+46.82	938+21.82	MED RT	275.00
943+00.77	49+60.73 (RAMP)	RT	1100.00
937+04.72	937+54.72	LT	50.00
942+33.67	945+08.67	MED LT	275.00
942+11.90	24+44.00 (RAMP)	LT	1550.00

010-0200 & 010-0201, Con't,

63100085 TRAFFIC BARRIER TERMINAL TYPE 6

STATION TO	STATION		EACH
938+43.64	938+89.29	RT	1.0
938+21.82	938+67.47	MED RT	1.0
942+55.12	943+00.77	RT	1.0
937+54.72	938+00.37	LT	1.0
941+88.02	942+33.67	MED LT	1.0
941+66.20	942+11.90	LT	1.0

63100045 TRAFFIC BARRIER TERMINAL TYPE 2

STATION TO	STATION		EACH
936+90.45	937+04.72	LT	1.0
49+60.73	49+75.00 (RAMP)	RT	1.0

78201000 TERMINAL MARKER - DIRECT APPLIED

STATION		EACH
933+93.64	RT	1.0
934+96.82	MED RT	1.0
24+94.00 (RAMP)	LT	1.0
945+58.67 (RAMP)	MED LT	1.0

010-0198 & 010-0199

63200310 GUARDRAIL REMOVAL

STATION TO	STATION		LENGTH (FT)
113+35.91	117+85.91	RT	450.00
116+35.91	117+85.91	MED RT	175.00
113+42.35	117+92.35	LT	450.00
119+14.10	120+64.10	MED LT	175.00
119+14.10	120+64.10	LT	150.00

63100169 TRAFFIC BARRIER TERMINAL TYPE 1, SPECIAL (FLARED)

STATION TO	STATION		EACH
114+77.76	115+27.76	RT	1.0
114+15.26	114+65.26	MED RT	1.0
121+72.75	122+22.25	LT	1.0
122+34.75	122+84.75	MED LT	1.0

63000000 STEEL PLATE BEAM GUARDRAIL, TYPE A

STATION TO	STATION		LENGTH (FT)
115+27.76	117+40.26	RT	212.50
114+65.26	117+40.26	MED RT	275.00
119+59.75	121+72.25	LT	212.50
119+59.75	122+34.75	MED LT	275.00

PLOT DATE = 3/30/2007  
 FILE NAME = c:\p\proj\rs\d514406\18\70628\shs.dgn  
 PLOT SCALE = 42.3529 / IN.  
 USER NAME = pier-sonbr

ILLINOIS DEPARTMENT OF TRANSPORTATION  
**GUARDRAIL SCHEDULES**  
 F.A.I. ROUTE 57 (I-57)  
 SECTION D5 SAFETY IMPROVEMENT 2007-2  
 CHAMPAIGN, COLES, & DOUGLAS COUNTIES  
 Page 6 of 19

SCALE: NOT TO SCALE      DRAWN BY: B.B.P.  
 DATE: 03/23/07      CHECKED BY: M.L.B.



# GUARDRAIL SCHEDULES

F.A.I. RTE.	SECTION	COUNTY	TOTAL SHEETS	SHEET NO.
57	.	..	153	21
STA.		TO STA.		
FED. ROAD DIST. NO.	ILLINOIS	FED. AID PROJECT		
• D5 SAFETY IMPROVEMENT 2007-2 •• CHAMPAIGN, COLES, & DOUGLAS				

010-0124

63200310 GUARDRAIL REMOVAL

STATION TO	STATION		LENGTH (FT)
364+56.85	367+65.00	RT	308.15
367+65.00	370+63.15	LT	298.15

63100169 TRAFFIC BARRIER TERMINAL TYPE 1, SPECIAL (FLARED)

STATION TO	STATION		EACH
364+56.85	365+06.85	RT	1.0

63100167 TRAFFIC BARRIER TERMINAL TYPE 1, SPECIAL (TANGENT)

STATION TO	STATION		EACH
370+13.15	370+63.15	LT	1.0

63000000 STEEL PLATE BEAM GUARDRAIL, TYPE A

STATION TO	STATION		LENGTH (FT)
365+06.85	367+06.85	RT	200.00
368+13.15	370+13.15	LT	200.00

63100089 TRAFFIC BARRIER TERMINAL TYPE 6B

STATION TO	STATION		EACH
367+06.85	367+63.50	RT	1.0
367+56.50	368+13.15	LT	1.0

78201000 TERMINAL MARKER - DIRECT APPLIED

STATION		EACH
364+56.85	RT	1.0
370+63.15	LT	1.0

010-0001 & 010-0002

63200310 GUARDRAIL REMOVAL

STATION TO	STATION		LENGTH (FT)
387+57.05	396+94.55	RT	937.50
394+22.01	396+84.51	MED RT	287.50
398+60.44	409+47.94	RT	1087.50
387+59.18	396+59.18	LT	900.00
398+35.11	400+97.61	MED LT	287.50
398+25.07	414+50.07	LT	1625.00

63100169 TRAFFIC BARRIER TERMINAL TYPE 1, SPECIAL (FLARED)

STATION TO	STATION		EACH
386+86.40	387+36.40	RT	1.0
392+76.36	393+26.36	MED RT	1.0
409+45.72	409+95.72	LT	1.0
401+93.26	402+43.26	MED LT	1.0

63000000 STEEL PLATE BEAM GUARDRAIL, TYPE A

STATION TO	STATION		LENGTH (FT)
387+36.40	396+48.90	RT	912.50
393+26.36	396+38.86	MED RT	312.50
399+06.09	405+93.59	RT	687.50
390+13.53	396+13.53	LT	600.00
398+80.76	401+93.26	MED LT	312.50
398+70.72	409+45.72	LT	1075.00

010-0001 & 010-0002, Con't,

63100085 TRAFFIC BARRIER TERMINAL TYPE 6

STATION TO	STATION		EACH
396+48.90	396+94.55	RT	1.0
396+38.86	396+84.51	MED RT	1.0
398+60.44	399+06.09	RT	1.0
396+13.53	396+59.18	LT	1.0
398+35.11	398+80.76	MED LT	1.0
398+25.07	398+70.72	LT	1.0

63100045 TRAFFIC BARRIER TERMINAL TYPE 2

STATION TO	STATION		EACH
389+99.26	390+13.53	LT	1.0
405+93.59	406+07.86	RT	1.0

78201000 TERMINAL MARKER - DIRECT APPLIED

STATION		EACH
386+86.40	RT	1.0
392+76.36	MED RT	1.0
409+95.72	LT	1.0
402+43.26	MED LT	1.0

010-0003 & 010-0004

63200310 GUARDRAIL REMOVAL

STATION TO	STATION		LENGTH (FT)
433+35.42	436+47.92	RT	312.50
433+79.86	436+42.36	MED RT	262.50
436+80.09	439+92.59	LT	312.50
436+85.65	439+48.15	MED LT	262.50

63100169 TRAFFIC BARRIER TERMINAL TYPE 1, SPECIAL (FLARED)

STATION TO	STATION		EACH
433+29.17	433+79.17	RT	1.0
439+48.84	439+98.84	LT	1.0

63100167 TRAFFIC BARRIER TERMINAL TYPE 1, SPECIAL (TANGENT)

STATION TO	STATION		EACH
433+73.61	434+23.61	MED RT	1.0
439+04.40	439+54.40	MED LT	1.0

63000000 STEEL PLATE BEAM GUARDRAIL, TYPE A

STATION TO	STATION		LENGTH (FT)
433+79.17	436+04.17	RT	225.00
434+23.61	435+98.61	MED RT	175.00
437+23.84	439+48.84	LT	225.00
437+29.40	439+04.40	MED LT	175.00

010-0003 & 010-0004, Con't,

63100087 TRAFFIC BARRIER TERMINAL TYPE 6A

STATION TO	STATION		EACH
436+04.17	436+47.92	RT	1.0
435+98.61	436+42.36	MED RT	1.0
436+80.09	437+23.84	LT	1.0
436+85.65	437+23.84	MED LT	1.0

78201000 TERMINAL MARKER - DIRECT APPLIED

STATION		EACH
433+29.17	RT	1.0
439+98.84	LT	1.0
433+73.61	MED RT	1.0
439+54.40	MED LT	1.0

010-0179

63200310 GUARDRAIL REMOVAL

STATION TO	STATION		LENGTH (FT)
470+32.88	473+66.03	RT	333.15
473+53.98	476+74.63	LT	320.65

63100169 TRAFFIC BARRIER TERMINAL TYPE 1, SPECIAL (FLARED)

STATION TO	STATION		EACH
476+24.63	476+74.63	LT	1.0

63100167 TRAFFIC BARRIER TERMINAL TYPE 1, SPECIAL (TANGENT)

STATION TO	STATION		EACH
470+32.88	470+82.88	RT	1.0

63000000 STEEL PLATE BEAM GUARDRAIL, TYPE A

STATION TO	STATION		LENGTH (FT)
470+82.88	473+07.88	RT	225.00
474+12.13	476+24.63	LT	212.50

63100089 TRAFFIC BARRIER TERMINAL TYPE 6B

STATION TO	STATION		EACH
473+07.88	473+64.53	RT	1.0
473+55.48	474+12.13	LT	1.0

78201000 TERMINAL MARKER - DIRECT APPLIED

STATION		EACH
476+74.63	LT	1.0
470+82.88	RT	1.0

PLOT DATE = 3/30/2007  
 FILE NAME = c:\projects\rs\d514406\1\8\70628\all\sheet8.dgn  
 PLOT SCALE = 42.3523 / IN.  
 USER NAME = pier-sonbr

# GUARDRAIL SCHEDULES

F.A.I. RTE.	SECTION	COUNTY	TOTAL SHEETS	SHEET NO.
57	•	••	153	22
STA.		TO STA.		
FED. ROAD DIST. NO.	ILLINOIS	FED. AID PROJECT		
• D5 SAFETY IMPROVEMENT 2007-2 •• CHAMPAIGN, COLES, & DOUGLAS				

010-0128

63200310 GUARDRAIL REMOVAL

STATION	TO	STATION	LENGTH (FT)	
133+32.37		136+65.52	333.15	RT
136+50.48		139+75.48	325.00	LT

63100169 TRAFFIC BARRIER TERMINAL TYPE 1, SPECIAL (FLARED)

STATION	TO	STATION	EACH	
139+21.13		139+71.13	1.0	LT

63100167 TRAFFIC BARRIER TERMINAL TYPE 1, SPECIAL (TANGENT)

133+32.37		133+82.37	1.0	RT
-----------	--	-----------	-----	----

63000000 STEEL PLATE BEAM GUARDRAIL, TYPE A

STATION	TO	STATION	LENGTH (FT)	
133+82.37		136+07.37	225.00	RT
137+08.63		139+21.13	212.50	LT

63100089 TRAFFIC BARRIER TERMINAL TYPE 6B

STATION	TO	STATION	EACH	
136+07.37		136+64.02	1.0	RT
136+51.98		137+08.63	1.0	LT

78201000 TERMINAL MARKER - DIRECT APPLIED

STATION	EACH	
139+71.13	1.0	LT
133+32.37	1.0	RT

010-8016

63200310 GUARDRAIL REMOVAL

STATION	TO	STATION	LENGTH (FT)	
187+16.25		190+67.00	331.77	RT
190+13.00		193+44.77	331.77	LT

63100169 TRAFFIC BARRIER TERMINAL TYPE 1, SPECIAL (FLARED)

STATION	TO	STATION	EACH	
187+33.75		187+83.75	1.0	RT
192+96.25		193+46.25	1.0	LT

63000000 STEEL PLATE BEAM GUARDRAIL, TYPE A

STATION	TO	STATION	LENGTH (FT)	
187+83.75		190+08.75	225.00	RT
190+71.25		192+96.25	225.00	LT

63000005 STEEL PLATE BEAM GUARDRAIL, TYPE B

STATION	TO	STATION	LENGTH (FT)	
190+08.75		190+33.75	25.00	LT
190+46.25		190+71.25	25.00	LT

63000025 STEEL PLATE BEAM GUARDRAIL, ATTACHED TO STRUCTURES

STATION	TO	STATION	LENGTH (FT)	
190+33.75		190+46.25	12.50	RT
190+33.75		190+46.25	12.50	LT

010-8016, Con't.

63100045 TRAFFIC BARRIER TERMINAL TYPE 2

STATION	TO	STATION	EACH	
190+46.25		190+60.52	1.0	RT
190+19.48		190+33.75	1.0	LT

78201000 TERMINAL MARKER - DIRECT APPLIED

STATION	EACH	
187+33.75	1.0	RT
193+46.25	1.0	LT

CHAMPAIGN COUNTY: URBAN

010-0105

63200310 GUARDRAIL REMOVAL

STATION	TO	STATION	LENGTH (FT)	
240+93.87		244+14.52	320.65	RT
243+97.48		247+18.13	320.65	LT

63100169 TRAFFIC BARRIER TERMINAL TYPE 1, SPECIAL (FLARED)

STATION	TO	STATION	EACH	
240+93.87		241+43.87	1.0	RT
246+68.13		247+18.13	1.0	LT

63000000 STEEL PLATE BEAM GUARDRAIL, TYPE A

STATION	TO	STATION	LENGTH (FT)	
241+43.87		243+56.37	212.50	RT
244+55.63		246+68.13	212.50	LT

63100089 TRAFFIC BARRIER TERMINAL TYPE 6B

STATION	TO	STATION	EACH	
243+56.37		244+13.02	1.0	RT
243+98.98		244+55.63	1.0	LT

78201000 TERMINAL MARKER - DIRECT APPLIED

STATION	EACH	
240+93.87	1.0	RT
247+18.13	1.0	LT

010-0176

63200310 GUARDRAIL REMOVAL

STATION	TO	STATION	LENGTH (FT)	
347+06.37		350+39.52	333.15	RT
350+30.38		353+63.53	333.15	LT

63100169 TRAFFIC BARRIER TERMINAL TYPE 1, SPECIAL (FLARED)

STATION	TO	STATION	EACH	
347+06.37		347+56.37	1.0	RT
353+13.53		353+63.53	1.0	LT

PLOT DATE = 3/30/2007  
 FILE NAME = c:\p\projects\d514406\108\70628\sheet9.dgn  
 PLOT SCALE = 42.3523 / IN.  
 USER NAME = pier-sonbr

# GUARDRAIL SCHEDULES

F.A.I. RTE.	SECTION	COUNTY	TOTAL SHEETS	SHEET NO.
57	•	••	153	23
STA.		TO STA.		
FED. ROAD DIST. NO.		ILLINOIS	FED. AID PROJECT	
• D5 SAFETY IMPROVEMENT 2007-2 •• CHAMPAIGN, COLES, & DOUGLAS				

010-0005 & 010-0006

63200310 GUARDRAIL REMOVAL

STATION TO	STATION		LENGTH (FT)
359+53.52	362+16.02	RT	262.50
359+26.32	362+01.32	MED RT	300.00
362+77.98	365+52.98	LT	275.00
362+92.68	366+05.18	MED LT	312.50

63100169 TRAFFIC BARRIER TERMINAL TYPE 1, SPECIAL (FLARED)

STATION TO	STATION		EACH
359+07.87	359+57.87	RT	1.0
357+93.17	358+43.17	MED RT	1.0
365+36.13	365+86.13	LT	1.0
366+50.83	367+00.83	MED LT	1.0

63000000 STEEL PLATE BEAM GUARDRAIL, TYPE A

STATION TO	STATION		LENGTH (FT)
359+57.87	361+70.37	RT	212.50
358+43.17	361+55.67	MED RT	312.50
363+23.63	365+36.13	LT	212.50
363+38.33	366+50.83	MED LT	312.50

63100085 TRAFFIC BARRIER TERMINAL TYPE 6

STATION TO	STATION		EACH
361+70.37	362+16.02	RT	1.0
361+55.67	362+01.32	MED RT	1.0
362+77.98	363+23.63	LT	1.0
362+92.68	363+38.33	MED LT	1.0

78201000 TERMINAL MARKER - DIRECT APPLIED

STATION		EACH
359+07.87	RT	1.0
357+93.17	MED RT	1.0
365+86.13	LT	1.0
367+00.83	MED LT	1.0

010-0007/0008 & 010-0103

63200310 GUARDRAIL REMOVAL

STATION TO	STATION		LENGTH (FT)
396+82.33	399+94.83	RT	312.50
400+96.99	403+38.75	RT	241.76 (attaches 0008 of 0103)
396+89.25	399+89.25	MED RT	300.00
400+88.50	403+23.42	MED RT	234.92
400+53.79	406+28.79	MED LT	575.00
400+45.30	407+57.80	LT	712.50

63100169 TRAFFIC BARRIER TERMINAL TYPE 1, SPECIAL (FLARED)

STATION TO	STATION		EACH
396+74.18	397+24.18	RT	1.0
397+10.48	397+60.48	MED RT	1.0
406+24.90	406+74.90	LT	1.0
405+86.94	406+36.94	MED LT	1.0

010-0007/0008 & 010-0103, Con't.

63000000 STEEL PLATE BEAM GUARDRAIL, TYPE A

STATION TO	STATION		LENGTH (FT)
397+24.18	399+49.18	RT	225.00
397+60.48	399+47.98	MED RT	187.50
401+42.64	402+82.10	RT	139.46
401+34.15	403+09.15	MED RT	175.00
400+90.95	403+00.10	LT	209.15
403+99.90	406+24.90	LT	225.00
400+99.44	405+86.94	MED LT	487.50

63100085 TRAFFIC BARRIER TERMINAL TYPE 6

STATION TO	STATION		EACH
399+49.18	399+94.83	RT	1.0
399+47.98	399+93.63	MED RT	1.0
400+96.99	401+42.64	RT	1.0
400+88.50	401+34.15	MED RT	1.0
400+45.30	400+90.95	LT	1.0
400+53.79	400+99.44	MED LT	1.0

63100089 TRAFFIC BARRIER TERMINAL TYPE 6B

STATION TO	STATION		EACH
402+82.10	403+38.75	RT	1.0

63100127 TRAFFIC BARRIER TERMINAL TYPE 6B (SPECIAL)

STATION TO	STATION		EACH
403+00.10	403+43.85	LT	1.0
403+56.15	403+99.90	LT	1.0

Z0026260 FURNISHING AND INSTALLING TUBULAR THRIE BEAM

STATION TO	STATION		LENGTH (FT)
403+43.85	403+56.15	LT	12.3

63100045 TRAFFIC BARRIER TERMINAL TYPE 2

STATION TO	STATION		EACH
403+09.15	403+23.42	MED RT	1.0

78201000 TERMINAL MARKER - DIRECT APPLIED

STATION		EACH
396+74.18	RT	1.0
397+10.48	MED RT	1.0
406+65.95	LT	1.0
406+36.94	MED LT	1.0

SIGN FOUNDATION @ 414+69.00

63200310 GUARDRAIL REMOVAL

STATION TO	STATION		LENGTH (FT)
411+94.40	414+46.17	RT	251.77

63100169 TRAFFIC BARRIER TERMINAL TYPE 1, SPECIAL (FLARED)

STATION TO	STATION		EACH
411+94.40	412+44.40	RT	1.0

SIGN FOUNDATION @ 414+69.00, Con't.

63000000 STEEL PLATE BEAM GUARDRAIL, TYPE A

STATION TO	STATION		LENGTH (FT)
412+44.40	414+31.90	RT	187.50

63100045 TRAFFIC BARRIER TERMINAL TYPE 2

STATION TO	STATION		EACH
414+31.90	414+46.17	RT	1.0

78201000 TERMINAL MARKER - DIRECT APPLIED

STATION		EACH
411+94.40	RT	1.0

PLOT DATE = 3/30/2007  
 FILE NAME = c:\p\projects\d514406\108\70628\sheet10.dgn  
 PLOT SCALE = 42.3523 / IN.  
 USER NAME = pier-sonbr

ILLINOIS DEPARTMENT OF TRANSPORTATION  
**GUARDRAIL SCHEDULES**  
 F.A.I. ROUTE 57 (I-57)  
 SECTION D5 SAFETY IMPROVEMENT 2007-2  
 CHAMPAIGN, COLES, & DOUGLAS COUNTIES  
 Page 10 of 19  
 SCALE: NOT TO SCALE DRAWN BY: B.B.P.  
 DATE: 03/23/07 CHECKED BY: M.L.B.

# GUARDRAIL SCHEDULES

F.A.I. RTE.	SECTION	COUNTY	TOTAL SHEETS	SHEET NO.
57	.	..	153	24
STA.		TO STA.		
FED. ROAD DIST. NO.		ILLINOIS	FED. AID PROJECT	
* D5 SAFETY IMPROVEMENT 2007-2 ** CHAMPAIGN, COLES, & DOUGLAS				

010-0009 & 010-0010

63200310 GUARDRAIL REMOVAL

STATION TO	STATION		LENGTH (FT)
440+70.50	454+22.65	RT	1352.15
451+53.01	454+23.65	MED RT	270.64
457+20.85	465+63.97	RT	843.12
443+83.23	454+26.45	LT	1043.22
457+24.35	459+94.99	MED LT	270.64
457+25.34	466+14.00	LT	888.66

63100167 TRAFFIC BARRIER TERMINAL TYPE 1, SPECIAL (TANGENT)

STATION TO	STATION		EACH
440+64.50	441+14.50	RT	1.0

63100169 TRAFFIC BARRIER TERMINAL TYPE 1, SPECIAL (FLARED)

STATION TO	STATION		EACH
451+53.00	452+03.00	MED RT	1.0
465+70.99	466+20.99	LT	1.0
459+45.00	459+90.65	MED LT	1.0

63000000 STEEL PLATE BEAM GUARDRAIL, TYPE A

STATION TO	STATION		LENGTH (FT)
441+14.50	453+77.00	RT	1262.50
452+03.00	453+78.00	MED RT	175.00
457+66.50	465+54.00	RT	787.50
443+93.30	453+80.80	LT	987.50
457+70.00	459+45.00	MED LT	175.00
457+70.99	465+70.99	LT	800.00

63100085 TRAFFIC BARRIER TERMINAL TYPE 6

STATION TO	STATION		EACH
453+77.00	454+22.65	RT	1.0
453+78.00	454+23.65	MED RT	1.0
457+20.85	457+66.50	RT	1.0
453+80.80	454+26.45	LT	1.0
457+24.35	457+70.00	MED LT	1.0
457+25.34	457+70.99	LT	1.0

63100045 TRAFFIC BARRIER TERMINAL TYPE 2

STATION TO	STATION		EACH
443+79.03	443+93.30	LT	1.0
465+54.00	465+68.27	RT	1.0

78201000 TERMINAL MARKER - DIRECT APPLIED

STATION		EACH
440+64.50	RT	1.0
451+53.00	MED RT	1.0
466+20.99	LT	1.0
459+90.65	MED LT	1.0

SIGN FOUNDATION @ 466+00.00

63200310 GUARDRAIL REMOVAL

STATION TO	STATION		LENGTH (FT)
463+12.20	465+63.97	MED RT	251.77

63100169 TRAFFIC BARRIER TERMINAL TYPE 1, SPECIAL (FLARED)

STATION TO	STATION		EACH
463+12.20	463+62.20	MED RT	1.0
468+37.53	468+87.53	MED LT	1.0

63000000 STEEL PLATE BEAM GUARDRAIL, TYPE A

STATION TO	STATION		LENGTH (FT)
463+62.20	465+49.70	MED RT	187.50
466+50.03	468+37.53	MED LT	187.50

63100045 TRAFFIC BARRIER TERMINAL TYPE 2

STATION TO	STATION		EACH
465+49.70	465+63.97	MED RT	1.0
466+35.76	466+50.03	MED LT	1.0

78201000 TERMINAL MARKER - DIRECT APPLIED

STATION		EACH
463+12.20	MED RT	1.0
468+87.53	MED LT	1.0

010-0034 & 010-0035

63200310 GUARDRAIL REMOVAL

STATION TO	STATION		LENGTH (FT)
478+24.61	481+84.98	RT	360.37
480+98.98	481+84.98	MED RT	86.00
480+98.98	484+71.68	LT	372.70
480+98.98	481+84.98	MED LT	86.00

63100169 TRAFFIC BARRIER TERMINAL TYPE 1, SPECIAL (FLARED)

STATION TO	STATION		EACH
478+13.58	478+63.58	RT	1.0
484+32.88	484+82.88	LT	1.0

63000000 STEEL PLATE BEAM GUARDRAIL, TYPE A

STATION TO	STATION		LENGTH (FT)
478+63.58	480+38.58	RT	175.00
482+45.38	484+32.88	LT	187.50

Z0026260 FURNISHING AND INSTALLING TUBULAR THRIE BEAM

STATION TO	STATION		LENGTH (FT)
480+95.23	481+95.23	RT	100.00
480+76.23	481+88.73	LT	112.50
480+98.98	481+86.48	MED RT	87.50
480+98.98	481+86.48	MED LT	87.50

010-0034 & 010-0035, Con't.

63100089 TRAFFIC BARRIER TERMINAL TYPE 6B

STATION TO	STATION		EACH
480+38.58	480+95.23	RT	1.0
481+88.73	482+45.38	LT	1.0

78201000 TERMINAL MARKER - DIRECT APPLIED

STATION		EACH
478+13.58	RT	1.0
484+82.88	LT	1.0

SIGN FOUNDATION @ 496+05.00

63100169 TRAFFIC BARRIER TERMINAL TYPE 1, SPECIAL (FLARED)

STATION TO	STATION		EACH
493+90.73	494+40.73	LT	1.0

63000000 STEEL PLATE BEAM GUARDRAIL, TYPE A

STATION TO	STATION		LENGTH (FT)
494+40.73	495+90.73	LT	150.00

63100045 TRAFFIC BARRIER TERMINAL TYPE 2

STATION TO	STATION		EACH
495+90.73	496+05.00	LT	1.0

78201000 TERMINAL MARKER - DIRECT APPLIED

STATION		EACH
494+40.73	LT	1.0

PLOT DATE = 3/30/2007  
 FILE NAME = c:\projects\010-0034\010-0035\010-0035.dgn  
 PLOT SCALE = 42.3523 / IN.  
 USER NAME = pier-sonbr



# GUARDRAIL SCHEDULES

F.A.I. RTE.	SECTION	COUNTY	TOTAL SHEETS	SHEET NO.
57	.	..	153	25
STA.		TO STA.		
FED. ROAD DIST. NO.	ILLINOIS	FED. AID PROJECT		

- D5 SAFETY IMPROVEMENT 2007-2
- CHAMPAIGN, COLES, & DOUGLAS

010-0215

63200310 GUARDRAIL REMOVAL

STATION TO	STATION		LENGTH (FT)
496+75.00	499+89.27	RT	314.27
500+85.73	504+00.00	LT	314.27

63100169 TRAFFIC BARRIER TERMINAL TYPE 1, SPECIAL (FLARED)

STATION TO	STATION		EACH
503+50.00	504+00.00	LT	1.0

63100167 TRAFFIC BARRIER TERMINAL TYPE 1, SPECIAL (TANGENT)

STATION TO	STATION		LENGTH (FT)
496+75.00	497+25.00	RT	1.0

63000000 STEEL PLATE BEAM GUARDRAIL, TYPE A

STATION TO	STATION		LENGTH (FT)
497+25.00	499+75.00	RT	250.00
501+00.00	503+50.00	LT	250.00

63100045 TRAFFIC BARRIER TERMINAL TYPE 2

STATION TO	STATION		EACH
499+75.00	499+89.27	RT	1.0
500+85.73	501+00.00	LT	1.0

78201000 TERMINAL MARKER - DIRECT APPLIED

STATION		EACH
504+00.00	LT	1.0
497+25.00	RT	1.0

010-0174

63200310 GUARDRAIL REMOVAL

STATION TO	STATION		LENGTH (FT)
506+94.37	509+93.63	RT	299.26
509+47.98	512.68.63	LT	320.65

63100169 TRAFFIC BARRIER TERMINAL TYPE 1, SPECIAL (FLARED)

STATION TO	STATION		EACH
506+86.98	507+36.98	RT	1.0
512+29.63	512+79.63	LT	1.0

63000000 STEEL PLATE BEAM GUARDRAIL, TYPE A

STATION TO	STATION		LENGTH (FT)
507+36.98	509+36.98	RT	200.00
510+04.63	512+29.63	LT	225.00

63100089 TRAFFIC BARRIER TERMINAL TYPE 6B

STATION TO	STATION		EACH
509+36.98	509+93.63	RT	1.0
509+47.98	510+04.63	LT	1.0

78201000 TERMINAL MARKER - DIRECT APPLIED

STATION		EACH
506+86.98	RT	1.0
512+79.63	LT	1.0

SIGN FOUNDATION @ 529+00.00

63200310 GUARDRAIL REMOVAL

STATION TO	STATION		LENGTH (FT)
526+25.40	528+77.17	RT	251.77

63100169 TRAFFIC BARRIER TERMINAL TYPE 1, SPECIAL (FLARED)

STATION TO	STATION		EACH
526+25.40	526+75.40	RT	1.0

63000000 STEEL PLATE BEAM GUARDRAIL, TYPE A

STATION TO	STATION		LENGTH (FT)
526+75.40	528+62.90	RT	187.50

63100045 TRAFFIC BARRIER TERMINAL TYPE 2

STATION TO	STATION		EACH
528+62.90	528+77.17	RT	1.0

78201000 TERMINAL MARKER - DIRECT APPLIED

STATION		EACH
526+25.40	RT	1.0

SIGN FOUNDATION @ 547+00.00

63200310 GUARDRAIL REMOVAL

STATION TO	STATION		LENGTH (FT)
547+04.93	549+55.60	RT	250.67

63100169 TRAFFIC BARRIER TERMINAL TYPE 1, SPECIAL (FLARED)

STATION TO	STATION		EACH
543+98.23	544+48.23	RT	1.0

63000000 STEEL PLATE BEAM GUARDRAIL, TYPE A

STATION TO	STATION		LENGTH (FT)
544+48.23	546+85.73	RT	237.50

63100045 TRAFFIC BARRIER TERMINAL TYPE 2

STATION TO	STATION		EACH
546+85.73	547+00.00	RT	1.0

78201000 TERMINAL MARKER - DIRECT APPLIED

STATION		EACH
543+98.23	RT	1.0

010-0011

63200310 GUARDRAIL REMOVAL

STATION TO	STATION		LENGTH (FT)
564+29.60	566+93.69	RT	264.09
565+51.04	568+78.71	LT	327.67

63100169 TRAFFIC BARRIER TERMINAL TYPE 1, SPECIAL (FLARED)

STATION TO	STATION		EACH
562+83.95	563+33.95	RT	1.0
568+93.71	569+43.71	LT	1.0

010-0011, Con't.

63000000 STEEL PLATE BEAM GUARDRAIL, TYPE A

STATION TO	STATION		LENGTH (FT)
563+33.95	566+33.95	RT	300.00
565+57.41	565+69.91	LT	12.50
566+81.21	568+93.71	LT	212.50

70026260 FURNISHING AND INSTALLING TUBULAR THRIE BEAM

STATION TO	STATION		LENGTH (FT)
566+13.66	566+37.46	LT	23.80

63100089 TRAFFIC BARRIER TERMINAL TYPE 6B

STATION TO	STATION		EACH
566+33.95	566+90.60	RT	1.0

63100127 TRAFFIC BARRIER TERMINAL TYPE 6B (SPECIAL)

STATION TO	STATION		EACH
565+69.91	566+13.66	LT	1.0
566+37.46	566+81.21	LT	1.0

63100045 TRAFFIC BARRIER TERMINAL TYPE 2

STATION TO	STATION		EACH
565+43.14	565+57.41	LT	1.0

78201000 TERMINAL MARKER - DIRECT APPLIED

STATION		EACH
563+71.45	RT	1.0
569+43.71	LT	1.0

PLOT DATE = 3/30/2007  
 FILE NAME = c:\projects\051406 (v8)\70628\sheet25.dgn  
 PLOT SCALE = 42.3523 / IN.  
 USER NAME = pier-sonbr

ILLINOIS DEPARTMENT OF TRANSPORTATION  
**GUARDRAIL SCHEDULES**  
 F.A.I. ROUTE 57 (I-57)  
 SECTION D5 SAFETY IMPROVEMENT 2007-2  
 CHAMPAIGN, COLES, & DOUGLAS COUNTIES  
 Page 12 of 19  
 SCALE: NOT TO SCALE DRAWN BY: B.B.P.  
 DATE: 03/23/08 CHECKED BY: M.L.B.

# GUARDRAIL SCHEDULES

F.A.I. RTE.	SECTION	COUNTY	TOTAL SHEETS	SHEET NO.
57	.	**	153	26
STA.		TO STA.		
FED. ROAD DIST. NO.	ILLINOIS	FED. AID PROJECT		
• D5 SAFETY IMPROVEMENT 2007-2 ** CHAMPAIGN, COLES, & DOUGLAS				

010-0050

63200310 GUARDRAIL REMOVAL

STATION	TO	STATION	LENGTH (FT)	
580+70.54		582+72.67	202.13	RT
582+31.93		584+09.52	177.59	LT

63100169 TRAFFIC BARRIER TERMINAL TYPE 1, SPECIAL (FLARED)

STATION	TO	STATION	EACH
579+31.85		579+81.85	1.0
585+18.15		585+68.15	1.0

63000000 STEEL PLATE BEAM GUARDRAIL, TYPE A

STATION	TO	STATION	LENGTH (FT)	
579+81.85		581+94.35	212.50	RT
583+05.65		585+18.15	212.50	LT

63100089 TRAFFIC BARRIER TERMINAL TYPE 6B

STATION	TO	STATION	EACH
581+94.35		582+51.00	1.0
582+49.00		583+05.65	1.0

78201000 TERMINAL MARKER - DIRECT APPLIED

STATION	RT	EACH
579+31.85	RT	1.0
585+68.15	LT	1.0

010-0018 & 010-0019

63200310 GUARDRAIL REMOVAL

STATION	TO	STATION	LENGTH (FT)	
595+66.52		598+41.52	275.00	RT
597+03.22		598+53.22	150.00	MED RT
597+14.92		599+89.92	275.00	LT
597+03.22		598+53.22	150.00	MED LT

63100169 TRAFFIC BARRIER TERMINAL TYPE 1, SPECIAL (FLARED)

STATION	TO	STATION	EACH
595+61.84		596+11.84	1.0
599+82.64		600+32.64	1.0

010-0018 & 010-0019, Con't,

63000000 STEEL PLATE BEAM GUARDRAIL, TYPE A

STATION	TO	STATION	LENGTH (FT)	
596+11.84		596+74.34	62.50	RT
598+82.64		599+82.64	100.00	LT

63100089 TRAFFIC BARRIER TERMINAL TYPE 6B

STATION	TO	STATION	EACH
596+74.34		597+30.99	1.0
598+25.99		598+82.64	1.0

Z0026260 \* FURNISHING AND INSTALLING TUBULAR THRIE BEAM

STATION	TO	STATION	LENGTH (FT)	
597+30.99		598+05.99	75.00	RT
597+50.99		598+25.99	75.00	LT
597+47.24		598+09.74	62.50	MED RT
597+47.24		598+09.74	62.50	MED LT

SIGN FOUNDATION @ 610+92.90

63200310 GUARDRAIL REMOVAL

STATION	TO	STATION	LENGTH (FT)	
610+92.90		614+55.40	362.50	LT

63100169 TRAFFIC BARRIER TERMINAL TYPE 1, SPECIAL (FLARED)

STATION	TO	STATION	EACH
612+57.17		613+07.17	1.0

63000000 STEEL PLATE BEAM GUARDRAIL, TYPE A

STATION	TO	STATION	LENGTH (FT)	
611+07.17		612+57.17	150.00	LT

63100045 TRAFFIC BARRIER TERMINAL TYPE 2

STATION	TO	STATION	EACH
610+92.90		611+07.17	1.0

78201000 TERMINAL MARKER - DIRECT APPLIED

STATION	RT	EACH
613+07.17	RT	1.0

010-0100

63200310 GUARDRAIL REMOVAL

STATION	TO	STATION	LENGTH (FT)	
624+49.47		626+12.00	162.53	RT
627+21.00		628+83.97	162.97	LT

63100169 TRAFFIC BARRIER TERMINAL TYPE 1, SPECIAL (FLARED)

STATION	TO	STATION	EACH
622+67.74		623+17.74	1.0
630+15.77		630+65.77	1.0

010-0100, Con't,

63000000 STEEL PLATE BEAM GUARDRAIL, TYPE A

STATION	TO	STATION	LENGTH (FT)	
623+17.74		625+30.24	212.50	RT
628+03.27		630+15.77	212.50	LT

63100089 TRAFFIC BARRIER TERMINAL TYPE 6B

STATION	TO	STATION	EACH
625+30.24		625+86.89	1.0
627+46.62		628+03.27	1.0

Z0026260 FURNISHING AND INSTALLING TUBULAR THRIE BEAM

STATION	TO	STATION	FOOT	
625+86.89		626+14.89	28.0	RT
627+18.62		627+46.62	28.0	LT

78201000 TERMINAL MARKER - DIRECT APPLIED

STATION	RT	EACH
622+67.74	RT	1.0
630+65.77	LT	1.0

SIGN FOUNDATION @ 665+03.81

63200310 GUARDRAIL REMOVAL

STATION	TO	STATION	LENGTH (FT)	
664+66.41		667+28.91	262.50	LT

63100169 TRAFFIC BARRIER TERMINAL TYPE 1, SPECIAL (FLARED)

STATION	TO	STATION	EACH
667+72.96		668+22.96	1.0

63000000 STEEL PLATE BEAM GUARDRAIL, TYPE A

STATION	TO	STATION	LENGTH (FT)	
665+60.46		667+72.96	212.50	LT

63100045 TRAFFIC BARRIER TERMINAL TYPE 2

STATION	TO	STATION	EACH
665+03.81		665+60.46	1.0

78201000 TERMINAL MARKER - DIRECT APPLIED

STATION	RT	EACH
668+22.96	LT	1.0

PLOT DATE = 3/30/2007  
 FILE NAME = c:\projects\051406\108\70628\sheet26.dgn  
 PLOT SCALE = 42.3523 / IN.  
 USER NAME = pier-sonbr

ILLINOIS DEPARTMENT OF TRANSPORTATION  
**GUARDRAIL SCHEDULES**  
 F.A.I. ROUTE 57 (I-57)  
 SECTION D5 SAFETY IMPROVEMENT 2007-2  
 CHAMPAIGN, COLES, & DOUGLAS COUNTIES  
 Page 13 of 19  
 SCALE: NOT TO SCALE DRAWN BY: B.B.P.  
 DATE: 03/23/07 CHECKED BY: M.L.B.

# GUARDRAIL SCHEDULES

Page 14 of 19

F.A.I. RTE.	SECTION	COUNTY	TOTAL SHEETS	SHEET NO.
57	•	••	153	27
STA.		TO STA.		
FED. ROAD DIST. NO.	ILLINOIS	FED. AID PROJECT		
• D5 SAFETY IMPROVEMENT 2007-2				
•• CHAMPAIGN, COLES, & DOUGLAS				

CHAMPAIGN COUNTY: RURAL

010-0185, Con't,

010-0172/010-0201, Con't,

010-0171

63200310 GUARDRAIL REMOVAL

STATION	TO	STATION	RT	LT	LENGTH (FT)
706+67.16		708+54.66	RT		187.50
708+75.00		710+62.50	LT		187.50

63100169 TRAFFIC BARRIER TERMINAL TYPE 1, SPECIAL (FLARED)

STATION	TO	STATION	RT	LT	EACH
705+49.01		705+99.01	RT		1.0
711+30.65		711+80.65	LT		1.0

63000000 STEEL PLATE BEAM GUARDRAIL, TYPE A

STATION	TO	STATION	RT	LT	LENGTH (FT)
705+99.01		708+11.51	RT		212.50
709+18.15		711+30.65	LT		212.50

63100089 TRAFFIC BARRIER TERMINAL TYPE 6B

STATION	TO	STATION	RT	LT	EACH
708+11.51		708+68.16	RT		1.0
708+61.50		709+18.15	LT		1.0

78201000 TERMINAL MARKER - DIRECT APPLIED

STATION	RT	LT	EACH
705+49.01	RT		1.0
711+80.65		LT	1.0

010-0185

63200310 GUARDRAIL REMOVAL

STATION	TO	STATION	RT	LT	LENGTH (FT)
763+64.50		765+64.50	RT		200.00
765+62.50		770+62.50	LT		500.00

63100169 TRAFFIC BARRIER TERMINAL TYPE 1, SPECIAL (FLARED)

STATION	TO	STATION	RT	LT	EACH
762+39.16		762+89.16	RT		1.0
771+63.74		772+13.74	LT		1.0

63000000 STEEL PLATE BEAM GUARDRAIL, TYPE A

STATION	TO	STATION	RT	LT	LENGTH (FT)
762+89.16		765+01.66	RT		212.50
766+26.24		771+63.74	LT		537.50

(GUARDRAIL RUNS ACROSS 010-2000)

63100089 TRAFFIC BARRIER TERMINAL TYPE 6B

STATION	TO	STATION	RT	LT	EACH
765+01.66		765+58.31	RT		1.0
765+69.59		766+26.24	LT		1.0

Z0026260 FURNISHING AND INSTALLING TUBULAR THRIE BEAM

STATION	TO	STATION	RT	LT	EACH
765+58.31		765+73.31	RT		15.0
765+54.59		765+69.59	LT		15.0

78201000 TERMINAL MARKER - DIRECT APPLIED

STATION	RT	LT	EACH
762+39.16	RT		1.0
772+13.74		LT	1.0

010-2000

63200310 GUARDRAIL REMOVAL

STATION	TO	STATION	RT	LENGTH (FT)
767+45.00		769+45.00	RT	200.00

63100169 TRAFFIC BARRIER TERMINAL TYPE 1, SPECIAL (FLARED)

STATION	TO	STATION	RT	EACH
765+98.23		766+48.23	RT	1.0

63000000 STEEL PLATE BEAM GUARDRAIL, TYPE A

STATION	TO	STATION	RT	LENGTH (FT)
766+48.23		768+85.73	RT	237.50

63100045 TRAFFIC BARRIER TERMINAL TYPE 2

STATION	TO	STATION	RT	EACH
768+85.73		769+00.00	RT	1.0

78201000 TERMINAL MARKER - DIRECT APPLIED

STATION	RT	LT	EACH
766+48.23	RT		1.0

010-0172 / 010-2001

63200310 GUARDRAIL REMOVAL

STATION	TO	STATION	RT	LT	LENGTH (FT)
873+95.70		877+83.20	RT		387.50 (010-0201 north
876+71.25		879+46.25	LT		275.00 of 010-0172)

63100169 TRAFFIC BARRIER TERMINAL TYPE 1, SPECIAL (FLARED)

STATION	TO	STATION	RT	LT	EACH
872+70.72		873+20.72	RT		1.0
880+33.40		880+83.40	LT		1.0

63000000 STEEL PLATE BEAM GUARDRAIL, TYPE A

STATION	TO	STATION	RT	LT	LENGTH (FT)
873+20.72		875+32.22	RT		212.50
876+53.52		877+14.75	RT		61.23
878+20.90		880+33.40	LT		212.50

63000005 STEEL PLATE BEAM GUARDRAIL, TYPE B

STATION	TO	STATION	RT	LENGTH (FT)
877+14.75		877+39.75	RT	25.00

63000025 STEEL PLATE BEAM GUARDRAIL, ATTACHED TO STRUCTURES

STATION	TO	STATION	RT	LT	LENGTH (FT)
877+39.75		877+52.25	RT		12.50
877+01.02		877+13.52	LT		12.50

Z0026260 FURNISHING AND INSTALLING TUBULAR THRIE BEAM

STATION	TO	STATION	RT	LT	LENGTH (FT)
875+89.87		875+96.87	RT		7.0
877+57.25		877+64.25	LT		7.0

63100089 TRAFFIC BARRIER TERMINAL TYPE 6B

STATION	TO	STATION	RT	LT	EACH
875+33.22		875+89.87	RT		1.0
875+96.87		876+53.52	RT		1.0
877+13.52		877+57.25	LT		1.0
877+64.25		878+20.90	LT		1.0

63100045 TRAFFIC BARRIER TERMINAL TYPE 2

STATION	TO	STATION	RT	LT	EACH
877+52.25		877+66.52	RT		1.0
876+86.85		877+01.02	LT		1.0

78201000 TERMINAL MARKER - DIRECT APPLIED

STATION	RT	LT	EACH
872+70.72	RT		1.0
880+83.40		LT	1.0

PLOT DATE = 3/30/2007  
 FILE NAME = c:\p\projects\d514406\108\70628\all sheets.dgn  
 PLOT SCALE = 42.3523 / IN.  
 USER NAME = pier-sonbr

ILLINOIS DEPARTMENT OF TRANSPORTATION  
**GUARDRAIL SCHEDULES**  
 F.A.I. ROUTE 57 (I-57)  
 SECTION D5 SAFETY IMPROVEMENT 2007-2  
 CHAMPAIGN, COLES, & DOUGLAS COUNTIES  
 Page 14 of 19  
 SCALE: NOT TO SCALE  
 DATE: 03/23/07  
 DRAWN BY: B.B.P.  
 CHECKED BY: M.L.B.

# GUARDRAIL SCHEDULES

F.A.I. RTE.	SECTION	COUNTY	TOTAL SHEETS	SHEET NO.
57	•	••	153	28
STA.		TO STA.		
FED. ROAD DIST. NO.	ILLINOIS	FED. AID PROJECT		
• D5 SAFETY IMPROVEMENT 2007-2 •• CHAMPAIGN, COLES, & DOUGLAS				

010-0193

63200310 GUARDRAIL REMOVAL

STATION	TO	STATION	LENGTH (FT)	
918+02.50		920+52.50	250.00	RT
919+52.50		922+02.50	250.00	LT

63100169 TRAFFIC BARRIER TERMINAL TYPE 1, SPECIAL (FLARED)

STATION	TO	STATION	EACH	
917+15.00		917+65.00	1.0	RT
922+40.00		922+90.00	1.0	LT

63000000 STEEL PLATE BEAM GUARDRAIL, TYPE A

STATION	TO	STATION	LENGTH (FT)	
917+65.00		919+90.00	225.00	RT
920+15.00		922+40.00	225.00	LT

63000005 STEEL PLATE BEAM GUARDRAIL, TYPE B

STATION	TO	STATION	LENGTH (FT)	
919+90.00		920+15.00	25.00	RT
919+90.00		920+15.00	25.00	LT

63000025 STEEL PLATE BEAM GUARDRAIL, ATTACHED TO STRUCTURES

STATION	TO	STATION	LENGTH (FT)	
920+15.00		920+40.00	25.00	RT
919+65.00		919+90.00	25.00	LT

63100045 TRAFFIC BARRIER TERMINAL TYPE 2

STATION	TO	STATION	EACH	
920+40.00		920+54.27	1.0	RT
919+50.73		919+65.00	1.0	LT

78201000 TERMINAL MARKER - DIRECT APPLIED

STATION	EACH	
917+15.00	1.0	RT
922+90.00	1.0	LT

010-2002

63200310 GUARDRAIL REMOVAL

STATION	TO	STATION	LENGTH (FT)	
949+96.00		952+33.50	237.50	RT
953+62.50		956+00.00	237.50	LT

63100169 TRAFFIC BARRIER TERMINAL TYPE 1, SPECIAL (FLARED)

STATION	TO	STATION	EACH	
949+42.24		949+92.24	1.0	RT
955+82.76		956+32.76	1.0	LT

010-2002, Con't.

63000000 STEEL PLATE BEAM GUARDRAIL, TYPE A

STATION	TO	STATION	LENGTH (FT)	
949+92.24		952+54.74	262.50	RT
953+45.26		955+82.76	237.50	LT

63100045 TRAFFIC BARRIER TERMINAL TYPE 2

STATION	TO	STATION	EACH	
952+54.74		952+69.01	1.0	RT
953+30.99		953+45.26	1.0	LT

78201000 TERMINAL MARKER - DIRECT APPLIED

STATION	EACH	
949+42.24	1.0	RT
956+32.76	1.0	LT

010-0156

63200310 GUARDRAIL REMOVAL

STATION	TO	STATION	LENGTH (FT)	
1014+72.54		1016+85.60	213.06	RT
1016+72.50		1018+85.00	212.50	LT

63100169 TRAFFIC BARRIER TERMINAL TYPE 1, SPECIAL (FLARED)

STATION	TO	STATION	EACH	
1013+65.57		1014+15.57	1.0	RT
1019+41.87		1019+91.87	1.0	LT

63000000 STEEL PLATE BEAM GUARDRAIL, TYPE A

STATION	TO	STATION	LENGTH (FT)	
1014+15.57		1016+28.07	212.50	RT
1017+29.37		1019+41.87	212.50	LT

63100089 TRAFFIC BARRIER TERMINAL TYPE 6B

STATION	TO	STATION	EACH	
1016+28.07		1016+84.72	1.0	RT
1016+72.72		1017+29.37	1.0	LT

78201000 TERMINAL MARKER - DIRECT APPLIED

STATION	EACH	
1013+65.57	1.0	RT
1019+91.87	1.0	LT

010-8033

63200310 GUARDRAIL REMOVAL

STATION	TO	STATION	LENGTH (FT)	
1018+95.43		1021+33.76	238.33	RT
1021+26.80		1023+65.84	239.04	LT

63100169 TRAFFIC BARRIER TERMINAL TYPE 1, SPECIAL (FLARED)

STATION	TO	STATION	EACH	
1018+81.50		1019+31.50	1.0	RT
1022+79.50		1023+29.50	1.0	LT

010-8033, Con't.

63000000 STEEL PLATE BEAM GUARDRAIL, TYPE A

STATION	TO	STATION	LENGTH (FT)	
1019+31.50		1021+19.00	187.50	RT
1020+92.00		1022+79.50	187.50	LT

63100045 TRAFFIC BARRIER TERMINAL TYPE 2

STATION	TO	STATION	EACH	
1021+19.00		1021+33.27	1.0	RT
1020+77.73		1020+92.00	1.0	LT

78201000 TERMINAL MARKER - DIRECT APPLIED

STATION	EACH	
1018+81.50	1.0	RT
1021+42.00	1.0	LT

PLOT DATE = 3/30/2007  
 FILE NAME = c:\projects\d514406\108\70628\sheet15.dgn  
 PLOT SCALE = 42.3529 / IN.  
 USER NAME = pier-sonbr

ILLINOIS DEPARTMENT OF TRANSPORTATION  
**GUARDRAIL SCHEDULES**  
 F.A.I. ROUTE 57 (I-57)  
 SECTION D5 SAFETY IMPROVEMENT 2007-2  
 CHAMPAIGN, COLES, & DOUGLAS COUNTIES  
 Page 15 of 19

SCALE: NOT TO SCALE  
 DATE: 03/23/07

DRAWN BY: B.B.P.  
 CHECKED BY: M.L.B.

# GUARDRAIL SCHEDULES

F.A.I. RTE.	SECTION	COUNTY	TOTAL SHEETS	SHEET NO.
57	•	••	153	29
STA.		TO STA.		
FED. ROAD DIST. NO.	ILLINOIS	FED. AID PROJECT		
• D5 SAFETY IMPROVEMENT 2007-2 •• CHAMPAIGN, COLES, & DOUGLAS				

010-0226

010-0165, Con't.

010-8308, Con't.

63200310 GUARDRAIL REMOVAL

STATION	TO	STATION	RT	LENGTH (FT)
1050+13.20		1052+50.70	RT	237.50
1052+75.00		1055+12.50	LT	237.50

63100169 TRAFFIC BARRIER TERMINAL TYPE 1, SPECIAL (FLARED)

STATION	TO	STATION	EACH
1049+00.50		1049+50.50	RT 1.0
1055+75.00		1056+25.00	LT 1.0

63000000 STEEL PLATE BEAM GUARDRAIL, TYPE A

STATION	TO	STATION	RT	LENGTH (FT)
1049+50.50		1051+88.00	RT	237.50
1053+37.50		1055+75.00	LT	237.50

63000005 STEEL PLATE BEAM GUARDRAIL, TYPE B

STATION	TO	STATION	RT	LENGTH (FT)
1051+88.00		1052+13.00	RT	25.00
1053+12.50		1053+37.50	LT	25.00

63000025 STEEL PLATE BEAM GUARDRAIL, ATTACHED TO STRUCTURES

STATION	TO	STATION	RT	LENGTH (FT)
1052+13.00		1052+38.00	RT	25.00
1052+87.50		1053+12.50	LT	25.00

63100045 TRAFFIC BARRIER TERMINAL TYPE 2

STATION	TO	STATION	RT	EACH
1052+38.00		1052+52.27	RT	1.0
1052+73.27		1052+87.50	LT	1.0

78201000 TERMINAL MARKER - DIRECT APPLIED

STATION	RT	EACH
1049+00.50	RT	1.0
1056+25.00	LT	1.0

010-0165

63200310 GUARDRAIL REMOVAL

STATION	TO	STATION	RT	LENGTH (FT)
1126+80.68		1128+96.77	RT	216.09
1128+36.40		1130+55.04	LT	218.64

63100169 TRAFFIC BARRIER TERMINAL TYPE 1, SPECIAL (FLARED)

STATION	TO	STATION	RT	EACH
1125+61.54		1126+11.54	RT	1.0
1131+22.84		1131+72.84	LT	1.0

63000000 STEEL PLATE BEAM GUARDRAIL, TYPE A

STATION	TO	STATION	RT	LENGTH (FT)
1126+11.54		1128+24.04	RT	212.50
1129+10.34		1131+22.84	LT	212.50

63100089 TRAFFIC BARRIER TERMINAL TYPE 6B

STATION	TO	STATION	RT	EACH
1128+24.04		1128+80.69	RT	1.0
1128+53.69		1129+10.34	LT	1.0

78201000 TERMINAL MARKER - DIRECT APPLIED

STATION	RT	EACH
1125+61.54	RT	1.0
1131+72.84	LT	1.0

010-8308

63200310 GUARDRAIL REMOVAL

STATION	TO	STATION	RT	LENGTH (FT)
1156+17.00		1157+92.00	RT	175.00
1158+09.50		1159+84.50	LT	175.00

63100169 TRAFFIC BARRIER TERMINAL TYPE 1, SPECIAL (FLARED)

STATION	TO	STATION	RT	EACH
1155+04.50		1155+54.50	RT	1.0
1160+47.00		1160+97.00	LT	1.0

63000000 STEEL PLATE BEAM GUARDRAIL, TYPE A

STATION	TO	STATION	RT	LENGTH (FT)
1155+54.50		1157+29.50	RT	175.00
1158+72.00		1160+47.00	LT	175.00

63000005 STEEL PLATE BEAM GUARDRAIL, TYPE B

STATION	TO	STATION	RT	LENGTH (FT)
1157+29.50		1157+54.50	RT	25.00
1158+47.00		1158+72.00	LT	25.00

63000025 STEEL PLATE BEAM GUARDRAIL, ATTACHED TO STRUCTURES

STATION	TO	STATION	RT	LENGTH (FT)
1157+54.50		1157+79.50	RT	25.00
1158+22.00		1158+47.00	LT	25.00

63100045 TRAFFIC BARRIER TERMINAL TYPE 2

STATION	TO	STATION	RT	EACH
1157+79.50		1157+93.77	RT	1.0
1158+07.73		1158+22.00	LT	1.0

78201000 TERMINAL MARKER - DIRECT APPLIED

STATION	RT	EACH
1155+04.50	RT	1.0
1160+97.00	LT	1.0

010-8309

63200310 GUARDRAIL REMOVAL

STATION	TO	STATION	RT	LENGTH (FT)
1190+45.00		1192+20.50	RT	175.50
1191+78.50		1193+53.50	LT	175.00

63100169 TRAFFIC BARRIER TERMINAL TYPE 1, SPECIAL (FLARED)

STATION	TO	STATION	RT	EACH
1189+33.00		1189+83.00	RT	1.0
1194+16.00		1194+66.00	LT	1.0

63000000 STEEL PLATE BEAM GUARDRAIL, TYPE A

STATION	TO	STATION	RT	LENGTH (FT)
1189+83.00		1191+58.00	RT	175.00
1192+41.00		1194+16.00	LT	175.00

63000005 STEEL PLATE BEAM GUARDRAIL, TYPE B

STATION	TO	STATION	RT	LENGTH (FT)
1191+58.00		1191+83.00	RT	25.00
1192+16.00		1192+41.00	LT	25.00

63000025 STEEL PLATE BEAM GUARDRAIL, ATTACHED TO STRUCTURES

STATION	TO	STATION	RT	LENGTH (FT)
1191+83.00		1192+08.00	RT	25.00
1191+91.00		1192+16.00	LT	25.00

63100045 TRAFFIC BARRIER TERMINAL TYPE 2

STATION	TO	STATION	RT	EACH
1192+08.00		1192+22.27	RT	1.0
1191+76.73		1191+91.00	LT	1.0

78201000 TERMINAL MARKER - DIRECT APPLIED

STATION	RT	EACH
1189+33.00	RT	1.0
1194+56.00	LT	1.0

PLOT DATE = 3/30/2007  
 FILE NAME = c:\projects\010-0165\010-0165.dgn  
 PLOT SCALE = 42.3523 / IN.  
 USER NAME = pier-sonbr

# GUARDRAIL SCHEDULES

F.A.I. RTE.	SECTION	COUNTY	TOTAL SHEETS	SHEET NO.
57	.	..	153	30
STA.		TO STA.		
FED. ROAD DIST. NO.	ILLINOIS	FED. AID PROJECT		
• D5 SAFETY IMPROVEMENT 2007-2 •• CHAMPAIGN, COLES, & DOUGLAS				

010-0164

63200310 GUARDRAIL REMOVAL

STATION	TO	STATION	LENGTH (FT)
1233+36.69		1235+36.70	200.01
1235+35.83		1237+37.92	202.09

63100169 TRAFFIC BARRIER TERMINAL TYPE 1, SPECIAL (FLARED)

STATION	TO	STATION	EACH
1232+32.18		1232+82.18	1.0
1238+08.48		1238+58.48	1.0

63000000 STEEL PLATE BEAM GUARDRAIL, TYPE A

STATION	TO	STATION	LENGTH (FT)
1232+82.18		1234+94.68	212.50
1235+95.98		1238+08.48	212.50

63100089 TRAFFIC BARRIER TERMINAL TYPE 6B

STATION	TO	STATION	EACH
1234+94.68		1235+51.33	1.0
1235+39.33		1235+95.98	1.0

78201000 TERMINAL MARKER - DIRECT APPLIED

STATION	EACH
1232+32.18	1.0
1238+58.48	1.0

CHAMPAIGN COUNTY: URBAN

010-0012 & 010-0013

63200310 GUARDRAIL REMOVAL

STATION	TO	STATION	LENGTH (FT)
1273+03.08		1274+54.98	151.90
1273+03.08		1274+54.98	151.90
1276+41.02		1277+92.92	151.90
1276+41.02		1277+92.92	151.90

63100169 TRAFFIC BARRIER TERMINAL TYPE 1, SPECIAL (FLARED)

STATION	TO	STATION	EACH
1271+46.83		1271+96.83	1.0
1270+46.83		1270+96.83	1.0
1278+99.37		1279+49.37	1.0
1279+99.37		1280+49.37	1.0

63000000 STEEL PLATE BEAM GUARDRAIL, TYPE A

STATION	TO	STATION	LENGTH (FT)
1271+96.83		1274+09.33	212.50
1270+96.83		1274+09.33	312.50
1276+86.87		1278+99.37	212.50
1276+86.87		1279+99.37	312.50

010-0012 & 010-0013, Con't.

63100085 TRAFFIC BARRIER TERMINAL TYPE 6

STATION	TO	STATION	EACH
1274+09.33		1274+54.98	1.0
1274+09.33		1274+54.98	1.0
1276+41.02		1276+86.87	1.0
1276+41.02		1276+86.87	1.0

78201000 TERMINAL MARKER - DIRECT APPLIED

STATION	EACH
1271+46.83	1.0
1270+46.83	1.0
1279+49.37	1.0
1280+49.37	1.0

CHAMPAIGN COUNTY: RURAL

010-0191 & 010-0192

63200310 GUARDRAIL REMOVAL

STATION	TO	STATION	LENGTH (FT)
1311+28.13		1315+15.63	387.50
1312+90.86		1315+03.36	212.50
1316+72.87		1328+97.87	1225.00
1303+76.44		1314+76.44	1100.00
1316+43.33		1318+43.33	200.00
1316+31.06		1328+68.56	1237.50

63100169 TRAFFIC BARRIER TERMINAL TYPE 1, SPECIAL (FLARED)

STATION	TO	STATION	EACH
1311+19.98		1311+69.98	1.0
1310+95.48		1311+45.48	1.0
1328+26.71		1328+76.71	1.0
1320+01.48		1320+51.48	1.0

63000000 STEEL PLATE BEAM GUARDRAIL, TYPE A

STATION	TO	STATION	LENGTH (FT)
1311+69.98		1314+69.98	300.00
1311+45.48		1314+57.98	312.50
1317+18.52		1328+93.52	1175.00
1303+80.79		1314+30.79	1050.00
1316+88.98		1320+01.48	312.50
1316+76.71		1328+26.71	1150.00

010-0191 & 010-0192, Con't.

63100085 TRAFFIC BARRIER TERMINAL TYPE 6

STATION	TO	STATION	EACH
1314+69.98		1315+15.63	1.0
1314+57.98		1315+03.63	1.0
1316+72.87		1317+18.52	1.0
1314+30.79		1314+76.44	1.0
1316+43.33		1316+88.98	1.0
1316+31.06		1316+76.71	1.0

63100045 TRAFFIC BARRIER TERMINAL TYPE 2

STATION	TO	STATION	EACH
1328+93.52		1329+07.79	1.0
1303+66.52		1303+80.79	1.0

78201000 TERMINAL MARKER - DIRECT APPLIED

STATION	EACH
1311+19.98	1.0
1310+95.48	1.0
1328+76.71	1.0
1320+51.48	1.0

010-0163

63200310 GUARDRAIL REMOVAL

STATION	TO	STATION	LENGTH (FT)
1343+67.67		1347+30.17	362.50
1346+82.67		1350+32.67	350.00

63100169 TRAFFIC BARRIER TERMINAL TYPE 1, SPECIAL (FLARED)

STATION	TO	STATION	EACH
1344+35.24		1344+85.24	1.0
1349+10.10		1349+60.10	1.0

63000000 STEEL PLATE BEAM GUARDRAIL, TYPE A

STATION	TO	STATION	LENGTH (FT)
1344+85.24		1346+72.74	187.50
1347+22.60		1349+10.10	187.50

63100089 TRAFFIC BARRIER TERMINAL TYPE 6B

STATION	TO	STATION	EACH
1346+72.74		1347+29.39	1.0
1346+65.95		1347+22.60	1.0

78201000 TERMINAL MARKER - DIRECT APPLIED

STATION	EACH
1344+35.24	1.0
1349+60.10	1.0

PLOT DATE = 3/30/2007  
 FILE NAME = c:\p\projects\d514406\108\70628\sheet30.dgn  
 PLOT SCALE = 42.3523 / IN.  
 USER NAME = pier-sonbr

ILLINOIS DEPARTMENT OF TRANSPORTATION  
**GUARDRAIL SCHEDULES**  
 F.A.I. ROUTE 57 (I-57)  
 SECTION D5 SAFETY IMPROVEMENT 2007-2  
 CHAMPAIGN, COLES, & DOUGLAS COUNTIES  
 Page 17 of 19  
 SCALE: NOT TO SCALE  
 DATE: 03/23/07  
 DRAWN BY: B.B.P.  
 CHECKED BY: M.L.B.

# GUARDRAIL SCHEDULES

F.A.I. RTE.	SECTION	COUNTY	TOTAL SHEETS	SHEET NO.
57	•	••	153	31
STA.		TO STA.		
FED. ROAD DIST. NO.	ILLINOIS	FED. AID PROJECT		

- D5 SAFETY IMPROVEMENT 2007-2
- CHAMPAIGN, COLES, & DOUGLAS

010-0162

63200310 GUARDRAIL REMOVAL

STATION TO	STATION		LENGTH (FT)
1406+20.14	1409+70.14	RT	350.00
1409+25.14	1412+75.14	LT	350.00

63100169 TRAFFIC BARRIER TERMINAL TYPE 1, SPECIAL (FLARED)

STATION TO	STATION		EACH
1406+85.19	1407+35.19	RT	1.0
1411+60.09	1412+10.09	LT	1.0

63000000 STEEL PLATE BEAM GUARDRAIL, TYPE A

STATION TO	STATION		LENGTH (FT)
1407+35.19	1409+22.69	RT	187.50
1409+72.59	1411+60.09	LT	187.50

63100089 TRAFFIC BARRIER TERMINAL TYPE 6B

STATION TO	STATION		EACH
1409+22.69	1409+79.34	RT	1.0
1409+15.94	1409+72.59	LT	1.0

78201000 TERMINAL MARKER - DIRECT APPLIED

STATION		EACH
1406+85.19	RT	1.0
1412+10.09	LT	1.0

010-8036

63200310 GUARDRAIL REMOVAL

STATION TO	STATION		LENGTH (FT)
1462+61.00	1464+36.00	LT	175.00

63100169 TRAFFIC BARRIER TERMINAL TYPE 1, SPECIAL (FLARED)

STATION TO	STATION		EACH
1464+99.25	1465+49.25	LT	1.0

63000000 STEEL PLATE BEAM GUARDRAIL, TYPE A

STATION TO	STATION		LENGTH (FT)
1462+99.25	1464+99.25	LT	200.00

63000005 STEEL PLATE BEAM GUARDRAIL, TYPE B

STATION TO	STATION		LENGTH (FT)
1462+74.25	1462+99.25	LT	25.00

63000025 STEEL PLATE BEAM GUARDRAIL, ATTACHED TO STRUCTURES

STATION TO	STATION		LENGTH (FT)
1462+61.75	1462+74.25	LT	12.50

010-8036, Con't.

63100045 TRAFFIC BARRIER TERMINAL TYPE 2

STATION TO	STATION		EACH
1462+47.48	1462+61.75	LT	1.0

78201000 TERMINAL MARKER - DIRECT APPLIED

STATION		EACH
1465+49.25	LT	1.0

010-0161

63200310 GUARDRAIL REMOVAL

STATION TO	STATION		LENGTH (FT)
1469+12.27	1472+49.77	RT	337.50
1472+34.77	1475+84.77	LT	350.00

63100169 TRAFFIC BARRIER TERMINAL TYPE 1, SPECIAL (FLARED)

STATION TO	STATION		EACH
1469+57.34	1470+07.34	RT	1.0
1474+47.20	1474+97.20	LT	1.0

63000000 STEEL PLATE BEAM GUARDRAIL, TYPE A

STATION TO	STATION		LENGTH (FT)
1470+07.34	1471+94.84	RT	187.50
1472+59.70	1474+47.20	LT	187.50

63100089 TRAFFIC BARRIER TERMINAL TYPE 6B

STATION TO	STATION		EACH
1471+94.84	1472+51.49	RT	1.0
1472+03.05	1472+59.70	LT	1.0

78201000 TERMINAL MARKER - DIRECT APPLIED

STATION		EACH
1469+57.34	RT	1.0
1474+97.20	LT	1.0

010-0189

63200310 GUARDRAIL REMOVAL

STATION TO	STATION		LENGTH (FT)
1529+63.04	1533+13.04	RT	350.00
1535+43.69	1536+48.04	LT	350.00

63100169 TRAFFIC BARRIER TERMINAL TYPE 1, SPECIAL (FLARED)

STATION TO	STATION		EACH
1530+17.39	1530+67.39	RT	1.0
1535+43.19	1535+93.69	LT	1.0

63000000 STEEL PLATE BEAM GUARDRAIL, TYPE A

STATION TO	STATION		LENGTH (FT)
1530+67.39	1532+54.89	RT	187.50
1533+56.19	1535+43.69	LT	187.50

010-0189, Con't.

63100089 TRAFFIC BARRIER TERMINAL TYPE 6B

STATION TO	STATION		EACH
1532+54.89	1533+11.54	RT	1.0
1532+99.54	1533+56.19	LT	1.0

78201000 TERMINAL MARKER - DIRECT APPLIED

STATION		EACH
1530+17.39	RT	1.0
1535+93.19	LT	1.0

010-8311 & 010-8312

63200310 GUARDRAIL REMOVAL

STATION TO	STATION		LENGTH (FT)
1584+45.25	1587+45.25	RT	300.00
1585+70.25	1587+45.25	MED RT	175.00
1587+64.75	1591+02.25	RT	337.50
1587+64.75	1593+77.25	LT	612.50 (attaches 8312 to 0082)
1587+64.75	1589+39.75	MED LT	175.00

63100169 TRAFFIC BARRIER TERMINAL TYPE 1, SPECIAL (FLARED)

STATION TO	STATION		EACH
1584+43.08	1584+93.08	RT	1.0
1583+43.08	1583+93.08	MED RT	1.0
1590+99.82	1591+49.82	MED LT	1.0

63000000 STEEL PLATE BEAM GUARDRAIL, TYPE A

STATION TO	STATION		LENGTH (FT)
1584+93.08	1587+30.58	RT	237.50
1583+93.08	1587+30.58	MED RT	337.50
1587+62.32	1590+99.82	MED LT	337.50

63100070 TRAFFIC BARRIER TERMINAL TYPE 5

STATION TO	STATION		EACH
1587+30.58	1587+45.25	RT	1.0
1587+30.58	1587+45.25	MED RT	1.0
1587+47.65	1587+62.32	MED LT	1.0

PLOT DATE = 3/30/2007  
 FILE NAME = c:\p\projects\d5\4406\108\70628\all\sheet.dgn  
 PLOT SCALE = 42.3523 / IN.  
 USER NAME = pier-sonbr

ILLINOIS DEPARTMENT OF TRANSPORTATION  
**GUARDRAIL SCHEDULES**  
 F.A.I. ROUTE 57 (I-57)  
 SECTION D5 SAFETY IMPROVEMENT 2007-2  
 CHAMPAIGN, COLES, & DOUGLAS COUNTIES  
 Page 18 of 19

SCALE: NOT TO SCALE      DRAWN BY: B.B.P.  
 DATE: 03/23/07      CHECKED BY: M.L.B.

# GUARDRAIL SCHEDULES

F.A.I. RTE.	SECTION	COUNTY	TOTAL SHEETS	SHEET NO.
57	•	••	153	32

STA. TO STA.  
 FED. ROAD DIST. NO. ILLINOIS FED. AID PROJECT  
 • D5 SAFETY IMPROVEMENT 2007-2  
 •• CHAMPAIGN, COLES, & DOUGLAS

010-8311 & 010-8312, Con't.

78201000 TERMINAL MARKER - DIRECT APPLIED

STATION		EACH
1584+43.08	RT	1.0
1583+43.08	MED RT	1.0
1591+49.82	MED L T	1.0

010-0082

63100169 TRAFFIC BARRIER TERMINAL TYPE 1, SPECIAL (FLARED)

STATION TO	STATION		EACH
1593+07.88	1593+57.88	LT	1.0

63000000 STEEL PLATE BEAM GUARDRAIL, TYPE A

STATION TO	STATION		LENGTH (FT)
1587+82.12	1590+45.60	RT	263.48
1587+82.12	1589+75.08	LT	192.96
1590+95.38	1593+07.88	LT	212.50

63100089 TRAFFIC BARRIER TERMINAL TYPE 6B

STATION TO	STATION		EACH
1590+45.60	1591+02.25	RT	1.0
1589+75.08	1590+31.73	LT	1.0
1590+38.73	1590+95.38	LT	1.0

Z0026260 FURNISHING AND INSTALLING TUBULAR THRIE BEAM

STATION TO	STATION		LENGTH (FT)
1590+31.73	1590+38.73	LT	7.0

63100070 TRAFFIC BARRIER TERMINAL TYPE 5

STATION TO	STATION		EACH	
1587+67.45	1587+82.12	RT	1.0	(attaches 8312 to 0082)
1587+67.45	1587+82.12	LT	1.0	(attaches 8311 to 0082)

78201000 TERMINAL MARKER - DIRECT APPLIED

STATION		EACH
1593+57.88	LT	1.0

PLOT DATE = 3/30/2007  
 FILE NAME = c:\projects\d5\406\1\8\70628\sheet19.dgn  
 PLOT SCALE = 42.3523 / IN.  
 USER NAME = pier-sonbr

ILLINOIS DEPARTMENT OF TRANSPORTATION  
**GUARDRAIL SCHEDULES**  
 F.A.I. ROUTE 57 (I-57)  
 SECTION D5 SAFETY IMPROVEMENT 2007-2  
 CHAMPAIGN, COLES, & DOUGLAS COUNTIES  
*Page 19 of 19*  
 SCALE: NOT TO SCALE      DRAWN BY: B.B.P.  
 DATE: 03/23/07      CHECKED BY: M.L.B.



# SCHEDULE OF QUANTITIES

SHEET 1 of 13

F.A.I. RTE.	SECTION	COUNTY	TOTAL SHEETS	SHEET NO.
57	•	••	153	33
STA.		TO STA.		
FED. ROAD DIST. NO.	ILLINOIS	FED. AID PROJECT		

- D5 SAFETY IMPROVEMENT 2007-2
- CHAMPAIGN, COLES, & DOUGLAS

#5000829 RESTRICTED DEPTH MANHOLES, 7' - DIAMETER, TYPE 8 GRATE

DOUGLAS COUNTY: RURAL, Con't,

STATION	DESCRIPTION	EACH	57+39.33	58+00.00	WIDENING FOR GUARDRAIL	0.006
			1489+53.88	1490+26.38	WIDENING FOR GUARDRAIL	0.020
<u>CHAMPAIGN COUNTY: RURAL</u>			1495+26.68	1495+99.18	WIDENING FOR GUARDRAIL	0.020
			116+88.25	117+60.75	WIDENING FOR GUARDRAIL	0.020
258+20.12	010-0181	1.0	121+63.25	122+35.75	WIDENING FOR GUARDRAIL	0.020
259+40.22	010-0181	1.0	129+92.75	130+65.25	WIDENING FOR GUARDRAIL	0.020
1018+21.00	010-0156	1.0	140+42.75	141+15.25	WIDENING FOR GUARDRAIL	0.020
			148+77.35	149+49.85	WIDENING FOR GUARDRAIL	0.020
<u>CHAMPAIGN COUNTY: URBAN</u>			154+50.15	155+22.65	WIDENING FOR GUARDRAIL	0.020
			249+83.75	250+56.25	WIDENING FOR GUARDRAIL	0.020
350+97.07	010-0176	1.0	255+40.00	256+12.50	WIDENING FOR GUARDRAIL	0.020
		TOTAL = 4.0	308+24.90	308+97.40	WIDENING FOR GUARDRAIL	0.020
			314+02.20	314+74.70	WIDENING FOR GUARDRAIL	0.020
			320+65.35	321+37.85	WIDENING FOR GUARDRAIL	0.020
			320+02.85	320+75.35	WIDENING FOR GUARDRAIL	0.020
			327+14.15	327+86.65	WIDENING FOR GUARDRAIL	0.020
			327+76.65	328+49.15	WIDENING FOR GUARDRAIL	0.020
			377+64.85	378+37.35	WIDENING FOR GUARDRAIL	0.020
			383+97.40	384+69.90	WIDENING FOR GUARDRAIL	0.020
			419+24.33	419+96.83	WIDENING FOR GUARDRAIL	0.020
			418+51.83	419+24.33	WIDENING FOR GUARDRAIL	0.020
			425+20.67	425+93.17	WIDENING FOR GUARDRAIL	0.020
			425+93.17	426+65.67	WIDENING FOR GUARDRAIL	0.020
			434+99.65	435+72.15	WIDENING FOR GUARDRAIL	0.020
			440+51.35	441+23.85	WIDENING FOR GUARDRAIL	0.020
			459+91.33	460+63.83	WIDENING FOR GUARDRAIL	0.020
			459+54.88	460+27.08	WIDENING FOR GUARDRAIL	0.020
			467+35.67	468+08.17	WIDENING FOR GUARDRAIL	0.020
			467+74.67	468+47.17	WIDENING FOR GUARDRAIL	0.020
			525+28.45	526+00.95	WIDENING FOR GUARDRAIL	0.020
			524+65.95	525+38.45	WIDENING FOR GUARDRAIL	0.020
			532+86.15	533+58.65	WIDENING FOR GUARDRAIL	0.020
			533+48.65	534+21.15	WIDENING FOR GUARDRAIL	0.020
			547+51.47	548+23.97	WIDENING FOR GUARDRAIL	0.020
			550+26.47	550+98.97	WIDENING FOR GUARDRAIL	0.020
			559+84.27	560+56.77	WIDENING FOR GUARDRAIL	0.020
			556+63.27	557+35.77	WIDENING FOR GUARDRAIL	0.020
			567+73.24	568+45.74	WIDENING FOR GUARDRAIL	0.020
			566+57.24	567+29.74	WIDENING FOR GUARDRAIL	0.020
			579+11.68	579+84.18	WIDENING FOR GUARDRAIL	0.020
			586+10.18	586+82.68	WIDENING FOR GUARDRAIL	0.020
			684+60.15	685+32.65	WIDENING FOR GUARDRAIL	0.020
			690+84.45	691+56.95	WIDENING FOR GUARDRAIL	0.020
			790+27.05	790+99.55	WIDENING FOR GUARDRAIL	0.020
			795+81.15	796+53.65	WIDENING FOR GUARDRAIL	0.020

25000210 SEEDING CLASS 2A

STATION	TO	STATION	DESCRIPTION	ACRE	57+39.33	58+00.00	WIDENING FOR GUARDRAIL	0.006
					1489+53.88	1490+26.38	WIDENING FOR GUARDRAIL	0.020
<u>COLES COUNTY: RURAL</u>					1495+26.68	1495+99.18	WIDENING FOR GUARDRAIL	0.020
1384+50.00		1386+91.00	S. N. 015-0063	0.270	116+88.25	117+60.75	WIDENING FOR GUARDRAIL	0.020
					121+63.25	122+35.75	WIDENING FOR GUARDRAIL	0.020
<u>DOUGLAS COUNTY: RURAL</u>					129+92.75	130+65.25	WIDENING FOR GUARDRAIL	0.020
1386+91.00		1389+00.00	S. N. 015-0063	0.230	140+42.75	141+15.25	WIDENING FOR GUARDRAIL	0.020
1491+03.62		1494+50.00	S. N. 021-0024	0.380	148+77.35	149+49.85	WIDENING FOR GUARDRAIL	0.020
149+50.00		154+00.00	S. N. 021-0041	0.500	154+50.15	155+22.65	WIDENING FOR GUARDRAIL	0.020
581+00.00		584+50.00	S. N. 021-0044	0.390	249+83.75	250+56.25	WIDENING FOR GUARDRAIL	0.020
686+00.00		689+00.00	S. N. 021-0043	0.330	255+40.00	256+12.50	WIDENING FOR GUARDRAIL	0.020
791+25.00		795+00.00	S. N. 021-0034	0.410	308+24.90	308+97.40	WIDENING FOR GUARDRAIL	0.020
<u>CHAMPAIGN COUNTY: RURAL</u>					314+02.20	314+74.70	WIDENING FOR GUARDRAIL	0.020
168+25.00		172+50.00	S. N. 010-0145	0.470	320+65.35	321+37.85	WIDENING FOR GUARDRAIL	0.020
256+50.00		261+00.00	S. N. 010-0181	0.500	320+02.85	320+75.35	WIDENING FOR GUARDRAIL	0.020
1014+71.00		1018+36.00	S. N. 010-0156	0.400	327+14.15	327+86.65	WIDENING FOR GUARDRAIL	0.020
1126+55.00		1130+70.00	S. N. 010-0165	0.460	327+76.65	328+49.15	WIDENING FOR GUARDRAIL	0.020
1233+88.00		1237+53.00	S. N. 010-0164	0.400	377+64.85	378+37.35	WIDENING FOR GUARDRAIL	0.020
<u>CHAMPAIGN COUNTY: URBAN</u>					383+97.40	384+69.90	WIDENING FOR GUARDRAIL	0.020
348+25.00		352+50.00	S. N. 010-0176	0.470	419+24.33	419+96.83	WIDENING FOR GUARDRAIL	0.020
					418+51.83	419+24.33	WIDENING FOR GUARDRAIL	0.020
<u>COLES COUNTY: RURAL</u>					425+20.67	425+93.17	WIDENING FOR GUARDRAIL	0.020
1382+43.35		1383+15.85	WIDENING FOR GUARDRAIL	0.020	425+93.17	426+65.67	WIDENING FOR GUARDRAIL	0.020
<u>DOUGLAS COUNTY: RURAL</u>					434+99.65	435+72.15	WIDENING FOR GUARDRAIL	0.020
1389+16.15		1389+88.65	WIDENING FOR GUARDRAIL	0.020	440+51.35	441+23.85	WIDENING FOR GUARDRAIL	0.020
1393+61.2		1393+98.70	WIDENING FOR GUARDRAIL	0.020	459+91.33	460+63.83	WIDENING FOR GUARDRAIL	0.020
1399+77.33		1400+49.80	WIDENING FOR GUARDRAIL	0.020	459+54.88	460+27.08	WIDENING FOR GUARDRAIL	0.020
124+37.56		124+98.23	WIDENING FOR GUARDRAIL	0.006	467+35.67	468+08.17	WIDENING FOR GUARDRAIL	0.020
57+91.10		58+51.77	WIDENING FOR GUARDRAIL	0.006	467+74.67	468+47.17	WIDENING FOR GUARDRAIL	0.020
55+73.23		56+33.90	WIDENING FOR GUARDRAIL	0.006	525+28.45	526+00.95	WIDENING FOR GUARDRAIL	0.020
390+64.33		391+25.00	WIDENING FOR GUARDRAIL	0.006	524+65.95	525+38.45	WIDENING FOR GUARDRAIL	0.020
					532+86.15	533+58.65	WIDENING FOR GUARDRAIL	0.020
					533+48.65	534+21.15	WIDENING FOR GUARDRAIL	0.020
					547+51.47	548+23.97	WIDENING FOR GUARDRAIL	0.020
					550+26.47	550+98.97	WIDENING FOR GUARDRAIL	0.020
					559+84.27	560+56.77	WIDENING FOR GUARDRAIL	0.020
					556+63.27	557+35.77	WIDENING FOR GUARDRAIL	0.020
					567+73.24	568+45.74	WIDENING FOR GUARDRAIL	0.020
					566+57.24	567+29.74	WIDENING FOR GUARDRAIL	0.020
					579+11.68	579+84.18	WIDENING FOR GUARDRAIL	0.020
					586+10.18	586+82.68	WIDENING FOR GUARDRAIL	0.020
					684+60.15	685+32.65	WIDENING FOR GUARDRAIL	0.020
					690+84.45	691+56.95	WIDENING FOR GUARDRAIL	0.020
					790+27.05	790+99.55	WIDENING FOR GUARDRAIL	0.020
					795+81.15	796+53.65	WIDENING FOR GUARDRAIL	0.020
					<u>CHAMPAIGN COUNTY - RURAL</u>			
					933+58.64	934+31.14	WIDENING FOR GUARDRAIL	0.020
					934+61.82	935+34.32	WIDENING FOR GUARDRAIL	0.020
					945+21.17	945+93.67	WIDENING FOR GUARDRAIL	0.020
					24+83.33	25+44.00	WIDENING FOR GUARDRAIL	0.020
					114+42.76	115+15.26	WIDENING FOR GUARDRAIL	0.020
					113+80.26	114+52.76	WIDENING FOR GUARDRAIL	0.020
					121+84.75	122+57.25	WIDENING FOR GUARDRAIL	0.020
					122+47.25	123+19.75	WIDENING FOR GUARDRAIL	0.020
					166+35.93	167+08.43	WIDENING FOR GUARDRAIL	0.024
					175+99.05	176+71.55	WIDENING FOR GUARDRAIL	0.024
					172+17.23	172+89.73	WIDENING FOR GUARDRAIL	0.024

PLOT DATE = 3/30/2007  
 FILE NAME = c:\p\projects\d514406\1\8\70628\sheet1.dgn  
 PLOT SCALE = 42.3523 / IN.  
 USER NAME = pier-sonbr

ILLINOIS DEPARTMENT OF TRANSPORTATION  
**SCHEDULE OF QUANTITIES**  
 F.A.I. ROUTE 57 (I-57)  
 SECTION D5 SAFETY IMPROVEMENT 2007-2  
 CHAMPAIGN, COLES, & DOUGLAS COUNTIES  
*Sheet 1 of 13*  
 SCALE: NOT TO SCALE DRAWN BY: B.B.P.  
 DATE: 03/24/07 CHECKED BY: M.L.B.

# SCHEDULE OF QUANTITIES

SHEET 2 of 13

F.A.I. RTE.	SECTION	COUNTY	TOTAL SHEETS	SHEET NO.
57	.	..	153	34
STA.		TO STA.		
FED. ROAD DIST. NO.	ILLINOIS	FED. AID PROJECT		
• D5 SAFETY IMPROVEMENT 2007-2 .. CHAMPAIGN, COLES, & DOUGLAS				

CHAMPAIGN COUNTY: RURAL, Con't.

170+92.05	171+64.55	WIDENING FOR GUARDRAIL	0.024
176+94.05	177+66.55	WIDENING FOR GUARDRAIL	0.024
255+31.65	256+04.15	WIDENING FOR GUARDRAIL	0.024
261+57.45	262+29.95	WIDENING FOR GUARDRAIL	0.024
386+51.40	387+23.90	WIDENING FOR GUARDRAIL	0.024
392+41.36	393+13.86	WIDENING FOR GUARDRAIL	0.024
409+58.22	410+30.72	WIDENING FOR GUARDRAIL	0.024
402+05.76	402+78.26	WIDENING FOR GUARDRAIL	0.024

CHAMPAIGN COUNTY - URBAN

358+72.87	359+45.37	WIDENING FOR GUARDRAIL	0.024
358+91.32	359+63.82	WIDENING FOR GUARDRAIL	0.024
365+15.48	365+87.95	WIDENING FOR GUARDRAIL	0.024
365+67.68	36+40.18	WIDENING FOR GUARDRAIL	0.024
396+39.18	397+11.68	WIDENING FOR GUARDRAIL	0.024
411+59.40	412+31.90	WIDENING FOR GUARDRAIL	0.024
493+55.73	494+28.23	WIDENING FOR GUARDRAIL	0.024
525+90.40	526+62.90	WIDENING FOR GUARDRAIL	0.024
543+63.23	544+35.73	WIDENING FOR GUARDRAIL	0.024
562+48.95	563+21.45	WIDENING FOR GUARDRAIL	0.024
569+06.21	569+78.21	WIDENING FOR GUARDRAIL	0.024
578+96.85	579+69.35	WIDENING FOR GUARDRAIL	0.020
580+27.98	581+00.48	WIDENING FOR GUARDRAIL	0.024
585+30.65	586+03.15	WIDENING FOR GUARDRAIL	0.020
595+26.84	595+99.34	WIDENING FOR GUARDRAIL	0.020
599+95.14	600+67.64	WIDENING FOR GUARDRAIL	0.024
612+22.17	612+94.67	WIDENING FOR GUARDRAIL	0.020
622+32.74	623+05.24	WIDENING FOR GUARDRAIL	0.020
630+28.27	631+00.77	WIDENING FOR GUARDRAIL	0.020
667+85.46	668+57.96	WIDENING FOR GUARDRAIL	0.020

CHAMPAIGN COUNTY - RURAL

705+14.01	705+86.51	WIDENING FOR GUARDRAIL	0.020
711+43.15	712+15.65	WIDENING FOR GUARDRAIL	0.020
762+04.16	762+76.66	WIDENING FOR GUARDRAIL	0.020
771+76.24	772+48.74	WIDENING FOR GUARDRAIL	0.020
765+63.23	766+35.73	WIDENING FOR GUARDRAIL	0.020
872+35.72	873+08.22	WIDENING FOR GUARDRAIL	0.020
880+45.90	881+18.40	WIDENING FOR GUARDRAIL	0.020
716+80.00	917+52.50	WIDENING FOR GUARDRAIL	0.024
922+52.50	923+25.00	WIDENING FOR GUARDRAIL	0.024
949+07.24	949+79.74	WIDENING FOR GUARDRAIL	0.024
955+95.26	956+67.76	WIDENING FOR GUARDRAIL	0.024
1013+30.57	1014+03.07	WIDENING FOR GUARDRAIL	0.024
1019+54.37	1020+26.87	WIDENING FOR GUARDRAIL	0.024
1018+46.50	1019+19.00	WIDENING FOR GUARDRAIL	0.024
1022+92.00	1023+64.50	WIDENING FOR GUARDRAIL	0.024
1049+38.00	1048+65.50	WIDENING FOR GUARDRAIL	0.024
1055+87.50	1056+60.00	WIDENING FOR GUARDRAIL	0.024
1125+26.54	1125+99.04	WIDENING FOR GUARDRAIL	0.024
1130+85.34	1131+57.84	WIDENING FOR GUARDRAIL	0.024
1154+69.50	1155+42.00	WIDENING FOR GUARDRAIL	0.024
1160+59.50	1161+32.00	WIDENING FOR GUARDRAIL	0.024
1188+98.00	1189+70.50	WIDENING FOR GUARDRAIL	0.024
1194+28.50	1195+01.00	WIDENING FOR GUARDRAIL	0.024
1231+97.18	1232+69.68	WIDENING FOR GUARDRAIL	0.024
1238+20.98	1238+93.48	WIDENING FOR GUARDRAIL	0.024

CHAMPAIGN COUNTY - URBAN

1271+11.83	1271+84.33	WIDENING FOR GUARDRAIL	0.024
1270+11.83	1270+84.33	WIDENING FOR GUARDRAIL	0.024
1279+11.87	1279+84.37	WIDENING FOR GUARDRAIL	0.024
1280+11.87	1280+84.37	WIDENING FOR GUARDRAIL	0.024

CHAMPAIGN COUNTY - RURAL

1310+84.98	1311+57.48	WIDENING FOR GUARDRAIL	0.020
1310+60.48	1311+32.98	WIDENING FOR GUARDRAIL	0.020
1328+39.21	1329+11.71	WIDENING FOR GUARDRAIL	0.020
1320+13.98	1320+86.48	WIDENING FOR GUARDRAIL	0.020
1344+00.24	1344+72.74	WIDENING FOR GUARDRAIL	0.020
1349+22.60	1349+95.10	WIDENING FOR GUARDRAIL	0.020
1406+50.19	1407+22.69	WIDENING FOR GUARDRAIL	0.020
1411+72.59	1412+45.09	WIDENING FOR GUARDRAIL	0.020
1465+11.75	1465+84.25	WIDENING FOR GUARDRAIL	0.020
1469+22.34	1469+94.84	WIDENING FOR GUARDRAIL	0.020
1474+59.70	1475+32.20	WIDENING FOR GUARDRAIL	0.020
1529+82.39	1530+54.89	WIDENING FOR GUARDRAIL	0.020
1535+56.19	1536+28.69	WIDENING FOR GUARDRAIL	0.020
1584+08.08	1584+80.58	WIDENING FOR GUARDRAIL	0.020
1583+08.08	1583+80.58	WIDENING FOR GUARDRAIL	0.020
1591+12.32	1591+84.82	WIDENING FOR GUARDRAIL	0.020
1593+20.38	1593+92.88	WIDENING FOR GUARDRAIL	0.020

TOTAL = 8.084  
FINAL TOTAL = 8.1

25000400 NITROGEN FERTILIZER NUTRIENT

STATION	TO	STATION	DESCRIPTION	POUND
---------	----	---------	-------------	-------

COLES COUNTY: RURAL

1384+50.00	1386+91.00	S. N. 015-0063	24.3
------------	------------	----------------	------

DOUGLAS COUNTY: RURAL

1386+91.00	1389+00.00	S. N. 015-0063	20.7
1491+03.62	1494+50.00	S. N. 021-0024	34.2
149+50.00	154+00.00	S. N. 021-0041	45.0
581+00.00	584+50.00	S. N. 021-0044	35.1
686+00.00	689+00.00	S. N. 021-0043	29.7
791+25.00	795+00.00	S. N. 021-0034	36.9

CHAMPAIGN COUNTY: RURAL

168+25.00	172+50.00	S. N. 010-0145	42.3
256+50.00	261+00.00	S. N. 010-0181	45.0
1014+71.00	1018+36.00	S. N. 010-0156	36.0
1126+55.00	1130+70.00	S. N. 010-0165	41.4
1233+88.00	1237+53.00	S. N. 010-0164	36.0

CHAMPAIGN COUNTY: URBAN

348+25.00	352+00.00	S. N. 010-0176	42.3
-----------	-----------	----------------	------

PLOT DATE = 3/30/2007  
FILE NAME = c:\p\projects\d514406\1\8\70628\sheet2.dgn  
PLOT SCALE = 42.3523 / IN.  
USER NAME = pier-sonbr

ILLINOIS DEPARTMENT OF TRANSPORTATION  
**SCHEDULE OF QUANTITIES**  
 F.A.I. ROUTE 57 (I-57)  
 SECTION D5 SAFETY IMPROVEMENT 2007-2  
 CHAMPAIGN, COLES, & DOUGLAS COUNTIES  
*Sheet 2 of 13*  
 SCALE: NOT TO SCALE DRAWN BY: B.B.P.  
 DATE: 03/24/07 CHECKED BY: M.L.B.

# SCHEDULE OF QUANTITIES

SHEET 3 of 13

F.A.I. RTE.	SECTION	COUNTY	TOTAL SHEETS	SHEET NO.
57	•	••	153	35
STA.		TO STA.		
FED. ROAD DIST. NO.	ILLINOIS	FED. AID PROJECT		
• D5 SAFETY IMPROVEMENT 2007-2				
•• CHAMPAIGN, COLES, & DOUGLAS				

COLES COUNTY: RURAL

1382+43.35                      1383+15.85                      WIDENING FOR GUARDRAIL                      1.8

DOUGLAS COUNTY: RURAL

1389+16.15                      1389+88.65                      WIDENING FOR GUARDRAIL                      1.8  
 1393+61.2                      1393+98.70                      WIDENING FOR GUARDRAIL                      1.8  
 1399+77.33                      1400+49.80                      WIDENING FOR GUARDRAIL                      1.8  
 124+37.56                      124+98.23                      WIDENING FOR GUARDRAIL                      0.5  
 57+91.10                      58+51.77                      WIDENING FOR GUARDRAIL                      0.5  
 55+73.23                      56+33.90                      WIDENING FOR GUARDRAIL                      0.5  
 390+64.33                      391+25.00                      WIDENING FOR GUARDRAIL                      0.5  
 57+39.33                      58+00.00                      WIDENING FOR GUARDRAIL                      0.5  
 1489+53.88                      1490+26.38                      WIDENING FOR GUARDRAIL                      1.8  
 1495+26.68                      1495+99.18                      WIDENING FOR GUARDRAIL                      1.8  
 116+88.25                      117+60.75                      WIDENING FOR GUARDRAIL                      1.8  
 121+63.25                      122+35.75                      WIDENING FOR GUARDRAIL                      1.8  
 129+92.75                      130+65.25                      WIDENING FOR GUARDRAIL                      1.8  
 140+42.75                      141+15.25                      WIDENING FOR GUARDRAIL                      1.8  
 148+77.35                      149+49.85                      WIDENING FOR GUARDRAIL                      1.8  
 154+50.15                      155+22.65                      WIDENING FOR GUARDRAIL                      1.8  
 249+83.75                      250+56.25                      WIDENING FOR GUARDRAIL                      1.8  
 255+40.00                      256+12.50                      WIDENING FOR GUARDRAIL                      1.8  
 308+24.90                      308+97.40                      WIDENING FOR GUARDRAIL                      1.8  
 314+02.20                      314+74.70                      WIDENING FOR GUARDRAIL                      1.8  
 320+65.35                      321+37.85                      WIDENING FOR GUARDRAIL                      1.8  
 320+02.85                      320+75.35                      WIDENING FOR GUARDRAIL                      1.8  
 327+14.15                      327+86.65                      WIDENING FOR GUARDRAIL                      1.8  
 327+76.65                      328+49.15                      WIDENING FOR GUARDRAIL                      1.8  
 377+64.85                      378+37.35                      WIDENING FOR GUARDRAIL                      1.8  
 383+97.40                      384+69.90                      WIDENING FOR GUARDRAIL                      1.8  
 419+24.33                      419+96.83                      WIDENING FOR GUARDRAIL                      1.8  
 418+51.83                      419+24.33                      WIDENING FOR GUARDRAIL                      1.8  
 425+20.67                      425+93.17                      WIDENING FOR GUARDRAIL                      1.8  
 425+93.17                      426+65.67                      WIDENING FOR GUARDRAIL                      1.8  
 434+99.65                      435+72.15                      WIDENING FOR GUARDRAIL                      1.8  
 440+51.35                      441+23.85                      WIDENING FOR GUARDRAIL                      1.8  
 459+91.33                      460+63.83                      WIDENING FOR GUARDRAIL                      1.8  
 459+54.88                      460+27.08                      WIDENING FOR GUARDRAIL                      1.8  
 467+35.67                      468+08.17                      WIDENING FOR GUARDRAIL                      1.8  
 467+74.67                      468+47.17                      WIDENING FOR GUARDRAIL                      1.8  
 525+28.45                      526+00.95                      WIDENING FOR GUARDRAIL                      1.8  
 524+65.95                      525+38.45                      WIDENING FOR GUARDRAIL                      1.8  
 532+86.15                      533+58.65                      WIDENING FOR GUARDRAIL                      1.8  
 533+48.65                      534+21.15                      WIDENING FOR GUARDRAIL                      1.8  
 547+51.47                      548+23.97                      WIDENING FOR GUARDRAIL                      1.8  
 550+26.47                      550+98.97                      WIDENING FOR GUARDRAIL                      1.8  
 559+84.27                      560+56.77                      WIDENING FOR GUARDRAIL                      1.8  
 556+63.27                      557+35.77                      WIDENING FOR GUARDRAIL                      1.8  
 567+73.24                      568+45.74                      WIDENING FOR GUARDRAIL                      1.8  
 566+57.24                      567+29.74                      WIDENING FOR GUARDRAIL                      1.8  
 579+11.68                      579+84.18                      WIDENING FOR GUARDRAIL                      1.8  
 586+10.18                      586+82.68                      WIDENING FOR GUARDRAIL                      1.8  
 684+60.15                      685+32.65                      WIDENING FOR GUARDRAIL                      1.8  
 690+84.45                      691+56.95                      WIDENING FOR GUARDRAIL                      1.8  
 790+27.05                      790+99.55                      WIDENING FOR GUARDRAIL                      1.8  
 795+81.15                      796+53.65                      WIDENING FOR GUARDRAIL                      1.8

CHAMPAIGN COUNTY - RURAL

933+58.64                      934+31.14                      WIDENING FOR GUARDRAIL                      1.8  
 934+61.82                      935+34.32                      WIDENING FOR GUARDRAIL                      1.8  
 945+21.17                      945+93.67                      WIDENING FOR GUARDRAIL                      1.8  
 24+83.33                      25+44.00                      WIDENING FOR GUARDRAIL                      1.8  
 114+42.76                      115+15.26                      WIDENING FOR GUARDRAIL                      1.8  
 113+80.26                      114+52.76                      WIDENING FOR GUARDRAIL                      1.8  
 121+84.75                      122+57.25                      WIDENING FOR GUARDRAIL                      1.8  
 122+47.25                      123+19.75                      WIDENING FOR GUARDRAIL                      1.8  
 166+35.93                      167+08.43                      WIDENING FOR GUARDRAIL                      2.2  
 175+99.05                      176+71.55                      WIDENING FOR GUARDRAIL                      2.2  
 172+17.23                      172+89.73                      WIDENING FOR GUARDRAIL                      2.2  
 170+92.05                      171+64.55                      WIDENING FOR GUARDRAIL                      2.2  
 176+94.05                      177+66.55                      WIDENING FOR GUARDRAIL                      2.2  
 255+31.65                      256+04.15                      WIDENING FOR GUARDRAIL                      2.2  
 261+57.45                      262+29.95                      WIDENING FOR GUARDRAIL                      2.2  
 386+51.40                      387+23.90                      WIDENING FOR GUARDRAIL                      2.2  
 392+41.36                      393+13.86                      WIDENING FOR GUARDRAIL                      2.2  
 409+58.22                      410+30.72                      WIDENING FOR GUARDRAIL                      2.2  
 402+05.76                      402+78.26                      WIDENING FOR GUARDRAIL                      2.2

CHAMPAIGN COUNTY - URBAN

358+72.87                      359+45.37                      WIDENING FOR GUARDRAIL                      2.2  
 358+91.32                      359+63.82                      WIDENING FOR GUARDRAIL                      2.2  
 365+15.48                      365+87.95                      WIDENING FOR GUARDRAIL                      2.2  
 365+67.68                      36+40.18                      WIDENING FOR GUARDRAIL                      2.2  
 396+39.18                      397+11.68                      WIDENING FOR GUARDRAIL                      2.2  
 411+59.40                      412+31.90                      WIDENING FOR GUARDRAIL                      2.2  
 493+55.73                      494+28.23                      WIDENING FOR GUARDRAIL                      2.2  
 525+90.40                      526+62.90                      WIDENING FOR GUARDRAIL                      2.2  
 543+63.23                      544+35.73                      WIDENING FOR GUARDRAIL                      2.2  
 562+48.95                      563+21.45                      WIDENING FOR GUARDRAIL                      2.2  
 569+06.21                      569+78.21                      WIDENING FOR GUARDRAIL                      2.2  
 578+96.85                      579+69.35                      WIDENING FOR GUARDRAIL                      1.8  
 580+27.98                      581+00.48                      WIDENING FOR GUARDRAIL                      2.2  
 585+30.65                      586+03.15                      WIDENING FOR GUARDRAIL                      1.8  
 595+26.84                      595+99.34                      WIDENING FOR GUARDRAIL                      1.8  
 599+95.14                      600+67.64                      WIDENING FOR GUARDRAIL                      2.2  
 612+22.17                      612+94.67                      WIDENING FOR GUARDRAIL                      1.8  
 622+32.74                      623+05.24                      WIDENING FOR GUARDRAIL                      1.8  
 630+28.27                      631+00.77                      WIDENING FOR GUARDRAIL                      1.8  
 667+85.46                      668+57.96                      WIDENING FOR GUARDRAIL                      1.8

CHAMPAIGN COUNTY - RURAL

705+14.01                      705+86.51                      WIDENING FOR GUARDRAIL                      1.8  
 711+43.15                      712+15.65                      WIDENING FOR GUARDRAIL                      1.8  
 762+04.16                      762+76.66                      WIDENING FOR GUARDRAIL                      1.8  
 771+76.24                      772+48.74                      WIDENING FOR GUARDRAIL                      1.8  
 765+63.23                      766+35.73                      WIDENING FOR GUARDRAIL                      1.8  
 872+35.72                      873+08.22                      WIDENING FOR GUARDRAIL                      1.8  
 880+45.90                      881+18.40                      WIDENING FOR GUARDRAIL                      1.8  
 716+80.00                      917+52.50                      WIDENING FOR GUARDRAIL                      2.2  
 922+52.50                      923+25.00                      WIDENING FOR GUARDRAIL                      2.2  
 949+07.24                      949+79.74                      WIDENING FOR GUARDRAIL                      2.2  
 955+95.26                      956+67.76                      WIDENING FOR GUARDRAIL                      2.2  
 1013+30.57                      1014+03.07                      WIDENING FOR GUARDRAIL                      2.2

PLOT DATE = 3/30/2007  
 FILE NAME = c:\projects\ds51406\108\70628\sheet3.dgn  
 PLOT SCALE = 42.3523 / IN.  
 USER NAME = pier-sonbr

ILLINOIS DEPARTMENT OF TRANSPORTATION  
**SCHEDULE OF QUANTITIES**  
 F.A.I. ROUTE 57 (I-57)  
 SECTION D5 SAFETY IMPROVEMENT 2007-2  
 CHAMPAIGN, COLES, & DOUGLAS COUNTIES  
*Sheet 3 of 13*  
 SCALE: NOT TO SCALE                      DRAWN BY: B.B.P.  
 DATE: 03/24/07                                      CHECKED BY: M.L.B.

# SCHEDULE OF QUANTITIES

SHEET 4 of 13

F.A.I. RTE.	SECTION	COUNTY	TOTAL SHEETS	SHEET NO.
57	•	••	153	36
STA.		TO STA.		
FED. ROAD DIST. NO.	ILLINOIS	FED. AID PROJECT		
• D5 SAFETY IMPROVEMENT 2007-2 •• CHAMPAIGN, COLES, & DOUGLAS				

DOUGLAS COUNTY: RURAL, Con't.

1019+54.37	1020+26.87	WIDENING FOR GUARDRAIL	2.2
1018+46.50	1019+19.00	WIDENING FOR GUARDRAIL	2.2
1022+92.00	1023+64.50	WIDENING FOR GUARDRAIL	2.2
1049+38.00	1048+65.50	WIDENING FOR GUARDRAIL	2.2
1055+87.50	1056+60.00	WIDENING FOR GUARDRAIL	2.2
1125+26.54	1125+99.04	WIDENING FOR GUARDRAIL	2.2
1130+85.34	1131+57.84	WIDENING FOR GUARDRAIL	2.2
1154+69.50	1155+42.00	WIDENING FOR GUARDRAIL	2.2
1160+59.50	1161+32.00	WIDENING FOR GUARDRAIL	2.2
1188+98.00	1189+70.50	WIDENING FOR GUARDRAIL	2.2
1194+28.50	1195+01.00	WIDENING FOR GUARDRAIL	2.2
1231+97.18	1232+69.68	WIDENING FOR GUARDRAIL	2.2
1238+20.98	1238+93.48	WIDENING FOR GUARDRAIL	2.2

CHAMPAIGN COUNTY - URBAN

1271+11.83	1271+84.33	WIDENING FOR GUARDRAIL	2.2
1270+11.83	1270+84.33	WIDENING FOR GUARDRAIL	2.2
1279+11.87	1279+84.37	WIDENING FOR GUARDRAIL	2.2
1280+11.87	1280+84.37	WIDENING FOR GUARDRAIL	2.2

CHAMPAIGN COUNTY - RURAL

1310+84.98	1311+57.48	WIDENING FOR GUARDRAIL	1.8
1310+60.48	1311+32.98	WIDENING FOR GUARDRAIL	1.8
1328+39.21	1329+11.71	WIDENING FOR GUARDRAIL	1.8
1320+13.98	1320+86.48	WIDENING FOR GUARDRAIL	1.8
1344+00.24	1344+72.74	WIDENING FOR GUARDRAIL	1.8
1349+22.60	1349+95.10	WIDENING FOR GUARDRAIL	1.8
1406+50.19	1407+22.69	WIDENING FOR GUARDRAIL	1.8
1411+72.59	1412+45.09	WIDENING FOR GUARDRAIL	1.8
1465+11.75	1465+84.25	WIDENING FOR GUARDRAIL	1.8
1469+22.34	1469+94.84	WIDENING FOR GUARDRAIL	1.8
1474+59.70	1475+32.20	WIDENING FOR GUARDRAIL	1.8
1529+82.39	1530+54.89	WIDENING FOR GUARDRAIL	1.8
1535+56.19	1536+28.69	WIDENING FOR GUARDRAIL	1.8
1584+08.08	1584+80.58	WIDENING FOR GUARDRAIL	1.8
1583+08.08	1583+80.58	WIDENING FOR GUARDRAIL	1.8
1591+12.32	1591+84.82	WIDENING FOR GUARDRAIL	1.8
1593+20.38	1593+92.88	WIDENING FOR GUARDRAIL	1.8

TOTAL = 727.5

25000500 PHOSPHORUS FERTILIZER NURTRIENT

STATION	IQ	STATION	DESCRIPTION	POUND
<u>COLES COUNTY: RURAL</u>				
1384+50.00		1386+91.00	S. N. 015-0063	24.3
<u>DOUGLAS COUNTY: RURAL</u>				
1386+91.00		1389+00.00	S. N. 015-0063	20.7
1491+03.62		1494+50.00	S. N. 021-0024	34.2
149+50.00		154+00.00	S. N. 021-0041	45.0
581+00.00		584+50.00	S. N. 021-0044	35.1
686+00.00		689+00.00	S. N. 021-0043	29.7
791+25.00		795+00.00	S. N. 021-0034	36.9

CHAMPAIGN COUNTY: RURAL

168+25.00	172+50.00	S. N. 010-0145	42.3
256+50.00	261+00.00	S. N. 010-0181	45.0
1014+71.00	1018+36.00	S. N. 010-0156	36.0
1126+55.00	1130+70.00	S. N. 010-0165	41.4
1233+88.00	1237+53.00	S. N. 010-0164	36.0

CHAMPAIGN COUNTY: URBAN

348+25.00	352+50.00	S. N. 010-0176	42.3
-----------	-----------	----------------	------

COLES COUNTY: RURAL

1382+43.35	1383+15.85	WIDENING FOR GUARDRAIL	1.8
------------	------------	------------------------	-----

DOUGLAS COUNTY: RURAL

1389+16.15	1389+88.65	WIDENING FOR GUARDRAIL	1.8
1393+61.2	1393+98.70	WIDENING FOR GUARDRAIL	1.8
1399+77.33	1400+49.80	WIDENING FOR GUARDRAIL	1.8
124+37.56	124+98.23	WIDENING FOR GUARDRAIL	0.5
57+91.10	58+51.77	WIDENING FOR GUARDRAIL	0.5
55+73.23	56+33.90	WIDENING FOR GUARDRAIL	0.5
390+64.33	391+25.00	WIDENING FOR GUARDRAIL	0.5
57+39.33	58+00.00	WIDENING FOR GUARDRAIL	0.5
1489+53.88	1490+26.38	WIDENING FOR GUARDRAIL	1.8
1495+26.68	1495+99.18	WIDENING FOR GUARDRAIL	1.8
116+88.25	117+60.75	WIDENING FOR GUARDRAIL	1.8
121+63.25	122+35.75	WIDENING FOR GUARDRAIL	1.8
129+92.75	130+65.25	WIDENING FOR GUARDRAIL	1.8
140+42.75	141+15.25	WIDENING FOR GUARDRAIL	1.8
148+77.35	149+49.85	WIDENING FOR GUARDRAIL	1.8
154+50.15	155+22.65	WIDENING FOR GUARDRAIL	1.8
249+83.75	250+56.25	WIDENING FOR GUARDRAIL	1.8
255+40.00	256+12.50	WIDENING FOR GUARDRAIL	1.8
308+24.90	308+97.40	WIDENING FOR GUARDRAIL	1.8
314+02.20	314+74.70	WIDENING FOR GUARDRAIL	1.8
320+65.35	321+37.85	WIDENING FOR GUARDRAIL	1.8
320+02.85	320+75.35	WIDENING FOR GUARDRAIL	1.8
327+14.15	327+86.65	WIDENING FOR GUARDRAIL	1.8
327+76.65	328+49.15	WIDENING FOR GUARDRAIL	1.8
377+64.85	378+37.35	WIDENING FOR GUARDRAIL	1.8
383+97.40	384+69.90	WIDENING FOR GUARDRAIL	1.8
419+24.33	419+96.83	WIDENING FOR GUARDRAIL	1.8
418+51.83	419+24.33	WIDENING FOR GUARDRAIL	1.8
425+20.67	425+93.17	WIDENING FOR GUARDRAIL	1.8
425+93.17	426+65.67	WIDENING FOR GUARDRAIL	1.8
434+99.65	435+72.15	WIDENING FOR GUARDRAIL	1.8
440+51.35	441+23.85	WIDENING FOR GUARDRAIL	1.8
459+91.33	460+63.83	WIDENING FOR GUARDRAIL	1.8
459+54.88	460+27.08	WIDENING FOR GUARDRAIL	1.8
467+35.67	468+08.17	WIDENING FOR GUARDRAIL	1.8
467+74.67	468+47.17	WIDENING FOR GUARDRAIL	1.8
525+28.45	526+00.95	WIDENING FOR GUARDRAIL	1.8
524+65.95	525+38.45	WIDENING FOR GUARDRAIL	1.8
532+86.15	533+58.65	WIDENING FOR GUARDRAIL	1.8
533+48.65	534+21.15	WIDENING FOR GUARDRAIL	1.8

PLOT DATE = 3/30/2007  
 FILE NAME = c:\p\projects\d514406 (v8)\70628\sheet4.dgn  
 PLOT SCALE = 42.3523 / IN.  
 USER NAME = pier-sonbr

ILLINOIS DEPARTMENT OF TRANSPORTATION  
**SCHEDULE OF QUANTITIES**  
 F.A.I. ROUTE 57 (I-57)  
 SECTION D5 SAFETY IMPROVEMENT 2007-2  
 CHAMPAIGN, COLES, & DOUGLAS COUNTIES  
*Sheet 4 of 13*  
 SCALE: NOT TO SCALE DRAWN BY: B.B.P.  
 DATE: 03/24/07 CHECKED BY: M.L.B.

F.A.I. RTE.	SECTION	COUNTY	TOTAL SHEETS	SHEET NO.
57	•	••	153	37
STA.		TO STA.		
FED. ROAD DIST. NO.	ILLINOIS	FED. AID PROJECT		

# SCHEDULE OF QUANTITIES

SHEET 5 of 13

- D5 SAFETY IMPROVEMENT 2007-2
- CHAMPAIGN, COLES, & DOUGLAS

DOUGLAS COUNTY: RURAL, Con't.

547+51.47	548+23.97	WIDENING FOR GUARDRAIL	1.8
550+26.47	550+98.97	WIDENING FOR GUARDRAIL	1.8
559+84.27	560+56.77	WIDENING FOR GUARDRAIL	1.8
556+63.27	557+35.77	WIDENING FOR GUARDRAIL	1.8
567+73.24	568+45.74	WIDENING FOR GUARDRAIL	1.8
566+57.24	567+29.74	WIDENING FOR GUARDRAIL	1.8
579+11.68	579+84.18	WIDENING FOR GUARDRAIL	1.8
586+10.18	586+82.68	WIDENING FOR GUARDRAIL	1.8
684+60.15	685+32.65	WIDENING FOR GUARDRAIL	1.8
690+84.45	691+56.95	WIDENING FOR GUARDRAIL	1.8
790+27.05	790+99.55	WIDENING FOR GUARDRAIL	1.8
795+81.15	796+53.65	WIDENING FOR GUARDRAIL	1.8

CHAMPAIGN COUNTY - RURAL

933+58.64	934+31.14	WIDENING FOR GUARDRAIL	1.8
934+61.82	935+34.32	WIDENING FOR GUARDRAIL	1.8
945+21.17	945+93.67	WIDENING FOR GUARDRAIL	1.8
24+83.33	25+44.00	WIDENING FOR GUARDRAIL	1.8
114+42.76	115+15.26	WIDENING FOR GUARDRAIL	1.8
113+80.26	114+52.76	WIDENING FOR GUARDRAIL	1.8
121+84.75	122+57.25	WIDENING FOR GUARDRAIL	1.8
122+47.25	123+19.75	WIDENING FOR GUARDRAIL	1.8
166+35.93	167+08.43	WIDENING FOR GUARDRAIL	2.2
175+99.05	176+71.55	WIDENING FOR GUARDRAIL	2.2
172+17.23	172+89.73	WIDENING FOR GUARDRAIL	2.2
170+92.05	171+64.55	WIDENING FOR GUARDRAIL	2.2
176+94.05	177+66.55	WIDENING FOR GUARDRAIL	2.2
255+31.65	256+04.15	WIDENING FOR GUARDRAIL	2.2
261+57.45	262+29.95	WIDENING FOR GUARDRAIL	2.2
386+51.40	387+23.90	WIDENING FOR GUARDRAIL	2.2
392+41.36	393+13.86	WIDENING FOR GUARDRAIL	2.2
409+58.22	410+30.72	WIDENING FOR GUARDRAIL	2.2
402+05.76	402+78.26	WIDENING FOR GUARDRAIL	2.2

CHAMPAIGN COUNTY - URBAN

358+72.87	359+45.37	WIDENING FOR GUARDRAIL	2.2
358+91.32	359+63.82	WIDENING FOR GUARDRAIL	2.2
365+15.48	365+87.95	WIDENING FOR GUARDRAIL	2.2
365+67.68	36+40.18	WIDENING FOR GUARDRAIL	2.2
396+39.18	397+11.68	WIDENING FOR GUARDRAIL	2.2
411+59.40	412+31.90	WIDENING FOR GUARDRAIL	2.2
493+55.73	494+28.23	WIDENING FOR GUARDRAIL	2.2
525+90.40	526+62.90	WIDENING FOR GUARDRAIL	2.2
543+63.23	544+35.73	WIDENING FOR GUARDRAIL	2.2
562+48.95	563+21.45	WIDENING FOR GUARDRAIL	2.2
569+06.21	569+78.21	WIDENING FOR GUARDRAIL	2.2
578+96.85	579+69.35	WIDENING FOR GUARDRAIL	1.8
580+27.98	581+00.48	WIDENING FOR GUARDRAIL	2.2
585+30.65	586+03.15	WIDENING FOR GUARDRAIL	1.8
595+26.84	595+99.34	WIDENING FOR GUARDRAIL	1.8
599+95.14	600+67.64	WIDENING FOR GUARDRAIL	2.2
612+22.17	612+94.67	WIDENING FOR GUARDRAIL	1.8
622+32.74	623+05.24	WIDENING FOR GUARDRAIL	1.8
630+28.27	631+00.77	WIDENING FOR GUARDRAIL	1.8
667+85.46	668+57.96	WIDENING FOR GUARDRAIL	1.8

CHAMPAIGN COUNTY - RURAL

705+14.01	705+86.51	WIDENING FOR GUARDRAIL	1.8
711+43.15	712+15.65	WIDENING FOR GUARDRAIL	1.8
762+04.16	762+76.66	WIDENING FOR GUARDRAIL	1.8
771+76.24	772+48.74	WIDENING FOR GUARDRAIL	1.8
765+63.23	766+35.73	WIDENING FOR GUARDRAIL	1.8
872+35.72	873+08.22	WIDENING FOR GUARDRAIL	1.8
880+45.90	881+18.40	WIDENING FOR GUARDRAIL	1.8
716+80.00	917+52.50	WIDENING FOR GUARDRAIL	2.2
922+52.50	923+25.00	WIDENING FOR GUARDRAIL	2.2
949+07.24	949+79.74	WIDENING FOR GUARDRAIL	2.2
955+95.26	956+67.76	WIDENING FOR GUARDRAIL	2.2
1013+30.57	1014+03.07	WIDENING FOR GUARDRAIL	2.2
1019+54.37	1020+26.87	WIDENING FOR GUARDRAIL	2.2
1018+46.50	1019+19.00	WIDENING FOR GUARDRAIL	2.2
1022+92.00	1023+64.50	WIDENING FOR GUARDRAIL	2.2
1049+38.00	1048+65.50	WIDENING FOR GUARDRAIL	2.2
1055+87.50	1056+60.00	WIDENING FOR GUARDRAIL	2.2
1125+26.54	1125+99.04	WIDENING FOR GUARDRAIL	2.2
1130+85.34	1131+57.84	WIDENING FOR GUARDRAIL	2.2
1154+69.50	1155+42.00	WIDENING FOR GUARDRAIL	2.2
1160+59.50	1161+32.00	WIDENING FOR GUARDRAIL	2.2
1188+98.00	1189+70.50	WIDENING FOR GUARDRAIL	2.2
1194+28.50	1195+01.00	WIDENING FOR GUARDRAIL	2.2
1231+97.18	1232+69.68	WIDENING FOR GUARDRAIL	2.2
1238+20.98	1238+93.48	WIDENING FOR GUARDRAIL	2.2

CHAMPAIGN COUNTY - URBAN

1271+11.83	1271+84.33	WIDENING FOR GUARDRAIL	2.2
1270+11.83	1270+84.33	WIDENING FOR GUARDRAIL	2.2
1279+11.87	1279+84.37	WIDENING FOR GUARDRAIL	2.2
1280+11.87	1280+84.37	WIDENING FOR GUARDRAIL	2.2

CHAMPAIGN COUNTY - RURAL

1310+84.98	1311+57.48	WIDENING FOR GUARDRAIL	1.8
1310+60.48	1311+32.98	WIDENING FOR GUARDRAIL	1.8
1328+39.21	1329+11.71	WIDENING FOR GUARDRAIL	1.8
1320+13.98	1320+86.48	WIDENING FOR GUARDRAIL	1.8
1344+00.24	1344+72.74	WIDENING FOR GUARDRAIL	1.8
1349+22.60	1349+95.10	WIDENING FOR GUARDRAIL	1.8
1406+50.19	1407+22.69	WIDENING FOR GUARDRAIL	1.8
1411+72.59	1412+45.09	WIDENING FOR GUARDRAIL	1.8
1465+11.75	1465+84.25	WIDENING FOR GUARDRAIL	1.8
1469+22.34	1469+94.84	WIDENING FOR GUARDRAIL	1.8
1474+59.70	1475+32.20	WIDENING FOR GUARDRAIL	1.8
1529+82.39	1530+54.89	WIDENING FOR GUARDRAIL	1.8
1535+56.19	1536+28.69	WIDENING FOR GUARDRAIL	1.8
1584+08.08	1584+80.58	WIDENING FOR GUARDRAIL	1.8
1583+08.08	1583+80.58	WIDENING FOR GUARDRAIL	1.8
1591+12.32	1591+84.82	WIDENING FOR GUARDRAIL	1.8
1593+20.38	1593+92.88	WIDENING FOR GUARDRAIL	1.8

TOTAL = 727.5

PLOT DATE = 3/30/2007  
 FILE NAME = c:\p\projects\d51406\148\70628\sheet5.dgn  
 PLOT SCALE = 42.3523 / IN.  
 USER NAME = pfer-sonbr

ILLINOIS DEPARTMENT OF TRANSPORTATION  
**SCHEDULE OF QUANTITIES**  
 F.A.I. ROUTE 57 (I-57)  
 SECTION D5 SAFETY IMPROVEMENT 2007-2  
 CHAMPAIGN, COLES, & DOUGLAS COUNTIES  
*Sheet 5 of 13*  
 SCALE: NOT TO SCALE DRAWN BY: B.B.P.  
 DATE: 03/24/07 CHECKED BY: M.L.B.

# SCHEDULE OF QUANTITIES

SHEET 6 of 13

F.A.I. RTE.	SECTION	COUNTY	TOTAL SHEETS	SHEET NO.
57	•	••	153	38
STA.		TO STA.		
FED. ROAD DIST. NO.	ILLINOIS	FED. AID PROJECT		
• D5 SAFETY IMPROVEMENT 2007-2 •• CHAMPAIGN, COLES, & DOUGLAS				

25000600 POTASSIUM FERTILIZER NUTRIENT

DOUGLAS COUNTY: RURAL, Con't.

STATION	TO	STATION	DESCRIPTION	POUND				
					327+76.65	328+49.15	WIDENING FOR GUARDRAIL	1.8
					377+64.85	378+37.35	WIDENING FOR GUARDRAIL	1.8
<u>COLES COUNTY: RURAL</u>					383+97.40	384+69.90	WIDENING FOR GUARDRAIL	1.8
					419+24.33	419+96.83	WIDENING FOR GUARDRAIL	1.8
1384+50.00		1386+91.00	S. N. 015-0063	24.3	418+51.83	419+24.33	WIDENING FOR GUARDRAIL	1.8
					425+20.67	425+93.17	WIDENING FOR GUARDRAIL	1.8
<u>DOUGLAS COUNTY: RURAL</u>					425+93.17	426+65.67	WIDENING FOR GUARDRAIL	1.8
					434+99.65	435+72.15	WIDENING FOR GUARDRAIL	1.8
1386+91.00		1389+00.00	S. N. 015-0063	20.7	440+51.35	441+23.85	WIDENING FOR GUARDRAIL	1.8
1491+03.62		1494+50.00	S. N. 021-0024	34.2	459+91.33	460+63.83	WIDENING FOR GUARDRAIL	1.8
149+50.00		154+00.00	S. N. 021-0041	45.0	459+54.88	460+27.08	WIDENING FOR GUARDRAIL	1.8
581+00.00		584+50.00	S. N. 021-0044	35.1	467+35.67	468+08.17	WIDENING FOR GUARDRAIL	1.8
686+00.00		689+00.00	S. N. 021-0043	29.7	467+74.67	468+47.17	WIDENING FOR GUARDRAIL	1.8
791+25.00		795+00.00	S. N. 021-0034	36.9	525+28.45	526+00.95	WIDENING FOR GUARDRAIL	1.8
					524+65.95	525+38.45	WIDENING FOR GUARDRAIL	1.8
<u>CHAMPAIGN COUNTY: RURAL</u>					532+86.15	533+58.65	WIDENING FOR GUARDRAIL	1.8
					533+48.65	534+21.15	WIDENING FOR GUARDRAIL	1.8
168+25.00		172+50.00	S. N. 010-0145	42.3	547+51.47	548+23.97	WIDENING FOR GUARDRAIL	1.8
256+50.00		259+75.00	S. N. 010-0181	45.0	550+26.47	550+98.97	WIDENING FOR GUARDRAIL	1.8
1014+71.00		1018+36.00	S. N. 010-0156	36.0	559+84.27	560+56.77	WIDENING FOR GUARDRAIL	1.8
1126+55.00		1130+70.00	S. N. 010-0165	41.4	556+63.27	557+35.77	WIDENING FOR GUARDRAIL	1.8
1233+88.00		1237+53.00	S. N. 010-0164	36.0	567+73.24	568+45.74	WIDENING FOR GUARDRAIL	1.8
					566+57.24	567+29.74	WIDENING FOR GUARDRAIL	1.8
<u>CHAMPAIGN COUNTY: URBAN</u>					579+11.68	579+84.18	WIDENING FOR GUARDRAIL	1.8
					586+10.18	586+82.68	WIDENING FOR GUARDRAIL	1.8
348+25.00		352+50.00	S. N. 010-0176	42.3	684+60.15	685+32.65	WIDENING FOR GUARDRAIL	1.8
					690+84.45	691+56.95	WIDENING FOR GUARDRAIL	1.8
					790+27.05	790+99.55	WIDENING FOR GUARDRAIL	1.8
					795+81.15	796+53.65	WIDENING FOR GUARDRAIL	1.8
1382+43.35		1383+15.85	WIDENING FOR GUARDRAIL	1.8	<u>CHAMPAIGN COUNTY - RURAL</u>			
					933+58.64	934+31.14	WIDENING FOR GUARDRAIL	1.8
<u>DOUGLAS COUNTY: RURAL</u>					934+61.82	935+34.32	WIDENING FOR GUARDRAIL	1.8
1389+16.15		1389+88.65	WIDENING FOR GUARDRAIL	1.8	945+21.17	945+93.67	WIDENING FOR GUARDRAIL	1.8
1393+61.2		1393+98.70	WIDENING FOR GUARDRAIL	1.8	24+83.33	25+44.00	WIDENING FOR GUARDRAIL	1.8
1399+77.33		1400+49.80	WIDENING FOR GUARDRAIL	1.8	114+42.76	115+15.26	WIDENING FOR GUARDRAIL	1.8
124+37.56		124+98.23	WIDENING FOR GUARDRAIL	0.5	113+80.26	114+52.76	WIDENING FOR GUARDRAIL	1.8
57+91.10		58+51.77	WIDENING FOR GUARDRAIL	0.5	121+84.75	122+57.25	WIDENING FOR GUARDRAIL	1.8
55+73.23		56+33.90	WIDENING FOR GUARDRAIL	0.5	122+47.25	123+19.75	WIDENING FOR GUARDRAIL	1.8
390+64.33		391+25.00	WIDENING FOR GUARDRAIL	0.5	166+35.93	167+08.43	WIDENING FOR GUARDRAIL	2.2
57+39.33		58+00.00	WIDENING FOR GUARDRAIL	0.5	175+99.05	176+71.55	WIDENING FOR GUARDRAIL	2.2
1489+53.88		1490+26.38	WIDENING FOR GUARDRAIL	1.8	172+17.23	172+89.73	WIDENING FOR GUARDRAIL	2.2
1495+26.68		1495+99.18	WIDENING FOR GUARDRAIL	1.8	170+92.05	171+64.55	WIDENING FOR GUARDRAIL	2.2
116+88.25		117+60.75	WIDENING FOR GUARDRAIL	1.8	176+94.05	177+66.55	WIDENING FOR GUARDRAIL	2.2
121+63.25		122+35.75	WIDENING FOR GUARDRAIL	1.8	255+31.65	256+04.15	WIDENING FOR GUARDRAIL	2.2
129+92.75		130+65.25	WIDENING FOR GUARDRAIL	1.8	261+57.45	262+29.95	WIDENING FOR GUARDRAIL	2.2
140+42.75		141+15.25	WIDENING FOR GUARDRAIL	1.8	386+51.40	387+23.90	WIDENING FOR GUARDRAIL	2.2
148+77.35		149+49.85	WIDENING FOR GUARDRAIL	1.8	392+41.36	393+13.86	WIDENING FOR GUARDRAIL	2.2
154+50.15		155+22.65	WIDENING FOR GUARDRAIL	1.8	409+58.22	410+30.72	WIDENING FOR GUARDRAIL	2.2
249+83.75		250+56.25	WIDENING FOR GUARDRAIL	1.8	402+05.76	402+78.26	WIDENING FOR GUARDRAIL	2.2
255+40.00		256+12.50	WIDENING FOR GUARDRAIL	1.8	<u>CHAMPAIGN COUNTY - URBAN</u>			
308+24.90		308+97.40	WIDENING FOR GUARDRAIL	1.8				
314+02.20		314+74.70	WIDENING FOR GUARDRAIL	1.8				
320+65.35		321+37.85	WIDENING FOR GUARDRAIL	1.8	358+72.87	359+45.37	WIDENING FOR GUARDRAIL	2.2
320+02.85		320+75.35	WIDENING FOR GUARDRAIL	1.8	358+91.32	359+63.82	WIDENING FOR GUARDRAIL	2.2
327+14.15		327+86.65	WIDENING FOR GUARDRAIL	1.8	365+15.48	365+87.95	WIDENING FOR GUARDRAIL	2.2
					365+67.68	36+40.18	WIDENING FOR GUARDRAIL	2.2
					396+39.18	397+11.68	WIDENING FOR GUARDRAIL	2.2

PLOT DATE = 3/30/2007  
 FILE NAME = c:\projects\d514406\18\70628\sheet6.dgn  
 PLOT SCALE = 42.3523 / IN.  
 USER NAME = pier-sonbr

ILLINOIS DEPARTMENT OF TRANSPORTATION  
**SCHEDULE OF QUANTITIES**  
 F.A.I. ROUTE 57 (I-57)  
 SECTION D5 SAFETY IMPROVEMENT 2007-2  
 CHAMPAIGN, COLES, & DOUGLAS COUNTIES  
*Sheet 6 of 13*  
 SCALE: NOT TO SCALE DRAWN BY: B.B.P.  
 DATE: 03/24/07 CHECKED BY: M.L.B.

# SCHEDULE OF QUANTITIES

SHEET 7 of 13

F.A.I. RTE.	SECTION	COUNTY	TOTAL SHEETS	SHEET NO.
57	•	••	153	39
STA.		TO STA.		
FED. ROAD DIST. NO.	ILLINOIS	FED. AID PROJECT		
• D5 SAFETY IMPROVEMENT 2007-2				
•• CHAMPAIGN, COLES, & DOUGLAS				

CHAMPAIGN COUNTY - URBAN, Con't.

411+59.40	412+31.90	WIDENING FOR GUARDRAIL	2.2
493+55.73	494+28.23	WIDENING FOR GUARDRAIL	2.2
525+90.40	526+62.90	WIDENING FOR GUARDRAIL	2.2
543+63.23	544+35.73	WIDENING FOR GUARDRAIL	2.2
562+48.95	563+21.45	WIDENING FOR GUARDRAIL	2.2
569+06.21	569+78.21	WIDENING FOR GUARDRAIL	2.2
578+96.85	579+69.35	WIDENING FOR GUARDRAIL	1.8
580+27.98	581+00.48	WIDENING FOR GUARDRAIL	2.2
585+30.65	586+03.15	WIDENING FOR GUARDRAIL	1.8
595+26.84	595+99.34	WIDENING FOR GUARDRAIL	1.8
599+95.14	600+67.64	WIDENING FOR GUARDRAIL	2.2
612+22.17	612+94.67	WIDENING FOR GUARDRAIL	1.8
622+32.74	623+05.24	WIDENING FOR GUARDRAIL	1.8
630+28.27	631+00.77	WIDENING FOR GUARDRAIL	1.8
667+85.46	668+57.96	WIDENING FOR GUARDRAIL	1.8

CHAMPAIGN COUNTY - RURAL

705+14.01	705+86.51	WIDENING FOR GUARDRAIL	1.8
711+43.15	712+15.65	WIDENING FOR GUARDRAIL	1.8
762+04.16	762+76.66	WIDENING FOR GUARDRAIL	1.8
771+76.24	772+48.74	WIDENING FOR GUARDRAIL	1.8
765+63.23	766+35.73	WIDENING FOR GUARDRAIL	1.8
872+35.72	873+08.22	WIDENING FOR GUARDRAIL	1.8
880+45.90	881+18.40	WIDENING FOR GUARDRAIL	1.8
716+80.00	917+52.50	WIDENING FOR GUARDRAIL	2.2
922+52.50	923+25.00	WIDENING FOR GUARDRAIL	2.2
949+07.24	949+79.74	WIDENING FOR GUARDRAIL	2.2
955+95.26	956+67.76	WIDENING FOR GUARDRAIL	2.2
1013+30.57	1014+03.07	WIDENING FOR GUARDRAIL	2.2
1019+54.37	1020+26.87	WIDENING FOR GUARDRAIL	2.2
1018+46.50	1019+19.00	WIDENING FOR GUARDRAIL	2.2
1022+92.00	1023+64.50	WIDENING FOR GUARDRAIL	2.2
1049+38.00	1048+65.50	WIDENING FOR GUARDRAIL	2.2
1055+87.50	1056+60.00	WIDENING FOR GUARDRAIL	2.2
1125+26.54	1125+99.04	WIDENING FOR GUARDRAIL	2.2
1130+85.34	1131+57.84	WIDENING FOR GUARDRAIL	2.2
1154+69.50	1155+42.00	WIDENING FOR GUARDRAIL	2.2
1160+59.50	1161+32.00	WIDENING FOR GUARDRAIL	2.2
1188+98.00	1189+70.50	WIDENING FOR GUARDRAIL	2.2
1194+28.50	1195+01.00	WIDENING FOR GUARDRAIL	2.2
1231+97.18	1232+69.68	WIDENING FOR GUARDRAIL	2.2
1238+20.98	1238+93.48	WIDENING FOR GUARDRAIL	2.2

CHAMPAIGN COUNTY - URBAN

1271+11.83	1271+84.33	WIDENING FOR GUARDRAIL	2.2
1270+11.83	1270+84.33	WIDENING FOR GUARDRAIL	2.2
1279+11.87	1279+84.37	WIDENING FOR GUARDRAIL	2.2
1280+11.87	1280+84.37	WIDENING FOR GUARDRAIL	2.2

CHAMPAIGN COUNTY - RURAL

1310+84.98	1311+57.48	WIDENING FOR GUARDRAIL	1.8
1310+60.48	1311+32.98	WIDENING FOR GUARDRAIL	1.8
1328+39.21	1329+11.71	WIDENING FOR GUARDRAIL	1.8
1320+13.98	1320+86.48	WIDENING FOR GUARDRAIL	1.8
1344+00.24	1344+72.74	WIDENING FOR GUARDRAIL	1.8
1349+22.60	1349+95.10	WIDENING FOR GUARDRAIL	1.8

CHAMPAIGN COUNTY - RURAL, Con't.

1406+50.19	1407+22.69	WIDENING FOR GUARDRAIL	1.8
1411+72.59	1412+45.09	WIDENING FOR GUARDRAIL	1.8
1465+11.75	1465+84.25	WIDENING FOR GUARDRAIL	1.8
1469+22.34	1469+94.84	WIDENING FOR GUARDRAIL	1.8
1474+59.70	1475+32.20	WIDENING FOR GUARDRAIL	1.8
1529+82.39	1530+54.89	WIDENING FOR GUARDRAIL	1.8
1535+56.19	1536+28.69	WIDENING FOR GUARDRAIL	1.8
1584+08.08	1584+80.58	WIDENING FOR GUARDRAIL	1.8
1583+08.08	1583+80.58	WIDENING FOR GUARDRAIL	1.8
1591+12.32	1591+84.82	WIDENING FOR GUARDRAIL	1.8
1593+20.38	1593+92.88	WIDENING FOR GUARDRAIL	1.8
			TOTAL = 727.5

25100115 MULCH METHOD 2

STATION	TO	STATION	DESCRIPTION	ACRE
<u>COLES COUNTY: RURAL</u>				
1384+50.00		1386+91.00	S. N. 015-0063	0.270
<u>DOUGLAS COUNTY: RURAL</u>				
1386+91.00		1389+00.00	S. N. 015-0063	0.230
1491+03.62		1494+50.00	S. N. 021-0024	0.380
149+50.00		154+00.00	S. N. 021-0041	0.500
581+00.00		584+50.00	S. N. 021-0044	0.390
686+00.00		689+00.00	S. N. 021-0043	0.330
791+25.00		795+00.00	S. N. 021-0034	0.410
<u>CHAMPAIGN COUNTY: RURAL</u>				
168+25.00		172+50.00	S. N. 010-0145	0.470
256+50.00		261+00.00	S. N. 010-0181	0.500
1014+71.00		1018+36.00	S. N. 010-0156	0.400
1126+55.00		1130+70.00	S. N. 010-0165	0.460
1233+88.00		1237+53.00	S. N. 010-0164	0.400
<u>CHAMPAIGN COUNTY: URBAN</u>				
348+25.00		352+50.00	S. N. 010-0176	0.470
<u>COLES COUNTY: RURAL</u>				
1382+43.35		1383+15.85	WIDENING FOR GUARDRAIL	0.020
<u>DOUGLAS COUNTY: RURAL</u>				
1389+16.15		1389+88.65	WIDENING FOR GUARDRAIL	0.020
1393+61.2		1393+98.70	WIDENING FOR GUARDRAIL	0.020
1399+77.33		1400+49.80	WIDENING FOR GUARDRAIL	0.020
124+37.56		124+98.23	WIDENING FOR GUARDRAIL	0.006
57+91.10		58+51.77	WIDENING FOR GUARDRAIL	0.006
55+73.23		56+33.90	WIDENING FOR GUARDRAIL	0.006
390+64.33		391+25.00	WIDENING FOR GUARDRAIL	0.006
57+39.33		58+00.00	WIDENING FOR GUARDRAIL	0.006
1489+53.88		1490+26.38	WIDENING FOR GUARDRAIL	0.020

PLOT DATE = 3/30/2007  
 FILE NAME = c:\projects\rd514406\108\70628\sheet7.dgn  
 PLOT SCALE = 42.3523 / IN.  
 USER NAME = pier-sonbr

ILLINOIS DEPARTMENT OF TRANSPORTATION  
**SCHEDULE OF QUANTITIES**  
 F.A.I. ROUTE 57 (I-57)  
 SECTION D5 SAFETY IMPROVEMENT 2007-2  
 CHAMPAIGN, COLES, & DOUGLAS COUNTIES  
*Sheet 7 of 13*  
 SCALE: NOT TO SCALE DRAWN BY: B.B.P.  
 DATE: 03/24/07 CHECKED BY: M.L.B.

# SCHEDULE OF QUANTITIES

SHEET 8 of 13

F.A.I. RTE.	SECTION	COUNTY	TOTAL SHEETS	SHEET NO.
57	•	••	153	40
STA.		TO STA.		
FED. ROAD DIST. NO.	ILLINOIS	FED. AID PROJECT		
• D5 SAFETY IMPROVEMENT 2007-2				
•• CHAMPAIGN, COLES, & DOUGLAS				

DOUGLAS COUNTY: RURAL, Con't,

1495+26.68	1495+99.18	WIDENING FOR GUARDRAIL	0.020
116+88.25	117+60.75	WIDENING FOR GUARDRAIL	0.020
121+63.25	122+35.75	WIDENING FOR GUARDRAIL	0.020
129+92.75	130+65.25	WIDENING FOR GUARDRAIL	0.020
140+42.75	141+15.25	WIDENING FOR GUARDRAIL	0.020
148+77.35	149+49.85	WIDENING FOR GUARDRAIL	0.020
154+50.15	155+22.65	WIDENING FOR GUARDRAIL	0.020
249+83.75	250+56.25	WIDENING FOR GUARDRAIL	0.020
255+40.00	256+12.50	WIDENING FOR GUARDRAIL	0.020
308+24.90	308+97.40	WIDENING FOR GUARDRAIL	0.020
314+02.20	314+74.70	WIDENING FOR GUARDRAIL	0.020
320+65.35	321+37.85	WIDENING FOR GUARDRAIL	0.020
320+02.85	320+75.35	WIDENING FOR GUARDRAIL	0.020
327+14.15	327+86.65	WIDENING FOR GUARDRAIL	0.020
327+76.65	328+49.15	WIDENING FOR GUARDRAIL	0.020
377+64.85	378+37.35	WIDENING FOR GUARDRAIL	0.020
383+97.40	384+69.90	WIDENING FOR GUARDRAIL	0.020
419+24.33	419+96.83	WIDENING FOR GUARDRAIL	0.020
418+51.83	419+24.33	WIDENING FOR GUARDRAIL	0.020
425+20.67	425+93.17	WIDENING FOR GUARDRAIL	0.020
425+93.17	426+65.67	WIDENING FOR GUARDRAIL	0.020
434+99.65	435+72.15	WIDENING FOR GUARDRAIL	0.020
440+51.35	441+23.85	WIDENING FOR GUARDRAIL	0.020
459+91.33	460+63.83	WIDENING FOR GUARDRAIL	0.020
459+54.88	460+27.08	WIDENING FOR GUARDRAIL	0.020
467+35.67	468+08.17	WIDENING FOR GUARDRAIL	0.020
467+74.67	468+47.17	WIDENING FOR GUARDRAIL	0.020
525+28.45	526+00.95	WIDENING FOR GUARDRAIL	0.020
524+65.95	525+38.45	WIDENING FOR GUARDRAIL	0.020
532+86.15	533+58.65	WIDENING FOR GUARDRAIL	0.020
533+48.65	534+21.15	WIDENING FOR GUARDRAIL	0.020
547+51.47	548+23.97	WIDENING FOR GUARDRAIL	0.020
550+26.47	550+98.97	WIDENING FOR GUARDRAIL	0.020
559+84.27	560+56.77	WIDENING FOR GUARDRAIL	0.020
556+63.27	557+35.77	WIDENING FOR GUARDRAIL	0.020
567+73.24	568+45.74	WIDENING FOR GUARDRAIL	0.020
566+57.24	567+29.74	WIDENING FOR GUARDRAIL	0.020
579+11.68	579+84.18	WIDENING FOR GUARDRAIL	0.020
586+10.18	586+82.68	WIDENING FOR GUARDRAIL	0.020
684+60.15	685+32.65	WIDENING FOR GUARDRAIL	0.020
690+84.45	691+56.95	WIDENING FOR GUARDRAIL	0.020
790+27.05	790+99.55	WIDENING FOR GUARDRAIL	0.020
795+81.15	796+53.65	WIDENING FOR GUARDRAIL	0.020

CHAMPAIGN COUNTY - RURAL

933+58.64	934+31.14	WIDENING FOR GUARDRAIL	0.020
934+61.82	935+34.32	WIDENING FOR GUARDRAIL	0.020
945+21.17	945+93.67	WIDENING FOR GUARDRAIL	0.020
24+83.33	25+44.00	WIDENING FOR GUARDRAIL	0.020
114+42.76	115+15.26	WIDENING FOR GUARDRAIL	0.020
113+80.26	114+52.76	WIDENING FOR GUARDRAIL	0.020
121+84.75	122+57.25	WIDENING FOR GUARDRAIL	0.020
122+47.25	123+19.75	WIDENING FOR GUARDRAIL	0.020
166+35.93	167+08.43	WIDENING FOR GUARDRAIL	0.024
175+99.05	176+71.55	WIDENING FOR GUARDRAIL	0.024
172+17.23	172+89.73	WIDENING FOR GUARDRAIL	0.024
170+92.05	171+64.55	WIDENING FOR GUARDRAIL	0.024
176+94.05	177+66.55	WIDENING FOR GUARDRAIL	0.024

CHAMPAIGN COUNTY - RURAL, Con't,

255+31.65	256+04.15	WIDENING FOR GUARDRAIL	0.024
261+57.45	262+29.95	WIDENING FOR GUARDRAIL	0.024
386+51.40	387+23.90	WIDENING FOR GUARDRAIL	0.024
392+41.36	393+13.86	WIDENING FOR GUARDRAIL	0.024
409+58.22	410+30.72	WIDENING FOR GUARDRAIL	0.024
402+05.76	402+78.26	WIDENING FOR GUARDRAIL	0.024

CHAMPAIGN COUNTY - URBAN

358+72.87	359+45.37	WIDENING FOR GUARDRAIL	0.024
358+91.32	359+63.82	WIDENING FOR GUARDRAIL	0.024
365+15.48	365+87.95	WIDENING FOR GUARDRAIL	0.024
365+67.68	36+40.18	WIDENING FOR GUARDRAIL	0.024
396+39.18	397+11.68	WIDENING FOR GUARDRAIL	0.024
411+59.40	412+31.90	WIDENING FOR GUARDRAIL	0.024
493+55.73	494+28.23	WIDENING FOR GUARDRAIL	0.024
525+90.40	526+62.90	WIDENING FOR GUARDRAIL	0.024
543+63.23	544+35.73	WIDENING FOR GUARDRAIL	0.024
562+48.95	563+21.45	WIDENING FOR GUARDRAIL	0.024
569+06.21	569+78.21	WIDENING FOR GUARDRAIL	0.024
578+96.85	579+69.35	WIDENING FOR GUARDRAIL	0.020
580+27.98	581+00.48	WIDENING FOR GUARDRAIL	0.024
585+30.65	586+03.15	WIDENING FOR GUARDRAIL	0.020
595+26.84	595+99.34	WIDENING FOR GUARDRAIL	0.020
599+95.14	600+67.64	WIDENING FOR GUARDRAIL	0.024
612+22.17	612+94.67	WIDENING FOR GUARDRAIL	0.020
622+32.74	623+05.24	WIDENING FOR GUARDRAIL	0.020
630+28.27	631+00.77	WIDENING FOR GUARDRAIL	0.020
667+85.46	668+57.96	WIDENING FOR GUARDRAIL	0.020

CHAMPAIGN COUNTY - RURAL

705+14.01	705+86.51	WIDENING FOR GUARDRAIL	0.020
711+43.15	712+15.65	WIDENING FOR GUARDRAIL	0.020
762+04.16	762+76.66	WIDENING FOR GUARDRAIL	0.020
771+76.24	772+48.74	WIDENING FOR GUARDRAIL	0.020
765+63.23	766+35.73	WIDENING FOR GUARDRAIL	0.020
872+35.72	873+08.22	WIDENING FOR GUARDRAIL	0.020
880+45.90	881+18.40	WIDENING FOR GUARDRAIL	0.020
716+80.00	917+52.50	WIDENING FOR GUARDRAIL	0.024
922+52.50	923+25.00	WIDENING FOR GUARDRAIL	0.024
949+07.24	949+79.74	WIDENING FOR GUARDRAIL	0.024
955+95.26	956+67.76	WIDENING FOR GUARDRAIL	0.024
1013+30.57	1014+03.07	WIDENING FOR GUARDRAIL	0.024
1019+54.37	1020+26.87	WIDENING FOR GUARDRAIL	0.024
1018+46.50	1019+19.00	WIDENING FOR GUARDRAIL	0.024
1022+92.00	1023+64.50	WIDENING FOR GUARDRAIL	0.024
1049+38.00	1048+65.50	WIDENING FOR GUARDRAIL	0.024
1055+87.50	1056+60.00	WIDENING FOR GUARDRAIL	0.024
1125+26.54	1125+99.04	WIDENING FOR GUARDRAIL	0.024
1130+85.34	1131+57.84	WIDENING FOR GUARDRAIL	0.024
1154+69.50	1155+42.00	WIDENING FOR GUARDRAIL	0.024
1160+59.50	1161+32.00	WIDENING FOR GUARDRAIL	0.024
1188+98.00	1189+70.50	WIDENING FOR GUARDRAIL	0.024
1194+28.50	1195+01.00	WIDENING FOR GUARDRAIL	0.024
1231+97.18	1232+69.68	WIDENING FOR GUARDRAIL	0.024
1238+20.98	1238+93.48	WIDENING FOR GUARDRAIL	0.024

PLOT DATE = 3/30/2007  
 FILE NAME = c:\projects\d514406\108\70628\sheet8.dgn  
 PLOT SCALE = 42.3529 / IN.  
 USER NAME = pier-sonbr

ILLINOIS DEPARTMENT OF TRANSPORTATION  
**SCHEDULE OF QUANTITIES**  
 F.A.I. ROUTE 57 (I-57)  
 SECTION D5 SAFETY IMPROVEMENT 2007-2  
 CHAMPAIGN, COLES, & DOUGLAS COUNTIES  
*Sheet 8 of 13*  
 SCALE: NOT TO SCALE DRAWN BY: B.B.P.  
 DATE: 03/24/07 CHECKED BY: M.L.B.



F.A.I. RTE.	SECTION	COUNTY	TOTAL SHEETS	SHEET NO.
57	•	••	153	41
STA.		TO STA.		
FED. ROAD DIST. NO.	ILLINOIS	FED. AID PROJECT		

# SCHEDULE OF QUANTITIES

SHEET 9 of 13

- D5 SAFETY IMPROVEMENT 2007-2
- CHAMPAIGN, COLES, & DOUGLAS

CHAMPAIGN COUNTY - URBAN

1271+11.83	1271+84.33	WIDENING FOR GUARDRAIL	0.024
1270+11.83	1270+84.33	WIDENING FOR GUARDRAIL	0.024
1279+11.87	1279+84.37	WIDENING FOR GUARDRAIL	0.024
1280+11.87	1280+84.37	WIDENING FOR GUARDRAIL	0.024

CHAMPAIGN COUNTY - RURAL

1310+84.98	1311+57.48	WIDENING FOR GUARDRAIL	0.020
1310+60.48	1311+32.98	WIDENING FOR GUARDRAIL	0.020
1328+39.21	1329+11.71	WIDENING FOR GUARDRAIL	0.020
1320+13.98	1320+86.48	WIDENING FOR GUARDRAIL	0.020
1344+00.24	1344+72.74	WIDENING FOR GUARDRAIL	0.020
1349+22.6	1349+95.10	WIDENING FOR GUARDRAIL	0.020
1406+50.19	1407+22.69	WIDENING FOR GUARDRAIL	0.020
1411+72.59	1412+45.09	WIDENING FOR GUARDRAIL	0.020
1465+11.75	1465+84.25	WIDENING FOR GUARDRAIL	0.020
1469+22.34	1469+94.84	WIDENING FOR GUARDRAIL	0.020
1474+59.70	1475+32.20	WIDENING FOR GUARDRAIL	0.020
1529+82.39	1530+54.89	WIDENING FOR GUARDRAIL	0.020
1535+56.19	1536+28.69	WIDENING FOR GUARDRAIL	0.020
1584+08.08	1584+80.58	WIDENING FOR GUARDRAIL	0.020
1583+08.08	1583+80.58	WIDENING FOR GUARDRAIL	0.020
1591+12.32	1591+84.82	WIDENING FOR GUARDRAIL	0.020
1593+20.38	1593+92.88	WIDENING FOR GUARDRAIL	0.020

TOTAL = 8.084  
FINAL TOTAL = 8.1

28000250 TEMPORARY EROSION CONTROL SEEDING

STATION	TO	STATION	DESCRIPTION	POUND
<u>COLES COUNTY: RURAL</u>				
1384+50.00		1386+91.00	S. N. 015-0063	27.0
<u>DOUGLAS COUNTY: RURAL</u>				
1386+91.00		1389+00.00	S. N. 015-0063	23.0
1491+03.62		1494+50.00	S. N. 021-0024	38.0
149+50.00		154+00.00	S. N. 021-0041	50.0
581+00.00		584+50.00	S. N. 021-0044	35.1
686+00.00		689+00.00	S. N. 021-0043	33.0
791+25.00		795+00.00	S. N. 021-0034	41.0
<u>CHAMPAIGN COUNTY: RURAL</u>				
168+25.00		172+50.00	S. N. 010-0145	47.0
256+50.00		261+00.00	S. N. 010-0181	50.0
1014+71.00		1018+36.00	S. N. 010-0156	40.0
1126+55.00		1130+70.00	S. N. 010-0165	46.0
1233+88.00		1237+53.00	S. N. 010-0164	40.0
<u>CHAMPAIGN COUNTY: URBAN</u>				
348+25.00		352+00.00	S. N. 010-0176	47.0

COLES COUNTY: RURAL

1382+43.35	1383+15.85	WIDENING FOR GUARDRAIL	2.0
------------	------------	------------------------	-----

DOUGLAS COUNTY: RURAL

1389+16.15	1389+88.65	WIDENING FOR GUARDRAIL	2.0
1393+61.2	1393+98.70	WIDENING FOR GUARDRAIL	2.0
1399+77.33	1400+49.80	WIDENING FOR GUARDRAIL	2.0
124+37.56	124+98.23	WIDENING FOR GUARDRAIL	0.6
57+91.10	58+51.77	WIDENING FOR GUARDRAIL	0.6
55+73.23	56+33.90	WIDENING FOR GUARDRAIL	0.6
390+64.33	391+25.00	WIDENING FOR GUARDRAIL	0.6
57+39.33	58+00.00	WIDENING FOR GUARDRAIL	0.6
1489+53.88	1490+26.38	WIDENING FOR GUARDRAIL	2.0
1495+26.68	1495+99.18	WIDENING FOR GUARDRAIL	2.0
116+88.25	117+60.75	WIDENING FOR GUARDRAIL	2.0
121+63.25	122+35.75	WIDENING FOR GUARDRAIL	2.0
129+92.75	130+65.25	WIDENING FOR GUARDRAIL	2.0
140+42.75	141+15.25	WIDENING FOR GUARDRAIL	2.0
148+77.35	149+49.85	WIDENING FOR GUARDRAIL	2.0
154+50.15	155+22.65	WIDENING FOR GUARDRAIL	2.0
249+83.75	250+56.25	WIDENING FOR GUARDRAIL	2.0
255+40.00	256+12.50	WIDENING FOR GUARDRAIL	2.0
308+24.90	308+97.40	WIDENING FOR GUARDRAIL	2.0
314+02.20	314+74.70	WIDENING FOR GUARDRAIL	2.0
320+65.35	321+37.85	WIDENING FOR GUARDRAIL	2.0
320+02.85	320+75.35	WIDENING FOR GUARDRAIL	2.0
327+14.15	327+86.65	WIDENING FOR GUARDRAIL	2.0
327+76.65	328+49.15	WIDENING FOR GUARDRAIL	2.0
377+64.85	378+37.35	WIDENING FOR GUARDRAIL	2.0
383+97.40	384+69.90	WIDENING FOR GUARDRAIL	2.0
419+24.33	419+96.83	WIDENING FOR GUARDRAIL	2.0
418+51.83	419+24.33	WIDENING FOR GUARDRAIL	2.0
425+20.67	425+93.17	WIDENING FOR GUARDRAIL	2.0
425+93.17	426+65.67	WIDENING FOR GUARDRAIL	2.0
434+99.65	435+72.15	WIDENING FOR GUARDRAIL	2.0
440+51.35	441+23.85	WIDENING FOR GUARDRAIL	2.0
459+91.33	460+63.83	WIDENING FOR GUARDRAIL	2.0
459+54.88	460+27.08	WIDENING FOR GUARDRAIL	2.0
467+35.67	468+08.17	WIDENING FOR GUARDRAIL	2.0
467+74.67	468+47.17	WIDENING FOR GUARDRAIL	2.0
525+28.45	526+00.95	WIDENING FOR GUARDRAIL	2.0
524+65.95	525+38.45	WIDENING FOR GUARDRAIL	2.0
532+86.15	533+58.65	WIDENING FOR GUARDRAIL	2.0
533+48.65	534+21.15	WIDENING FOR GUARDRAIL	2.0
547+51.47	548+23.97	WIDENING FOR GUARDRAIL	2.0
550+26.47	550+98.97	WIDENING FOR GUARDRAIL	2.0
559+84.27	560+56.77	WIDENING FOR GUARDRAIL	2.0
556+63.27	557+35.77	WIDENING FOR GUARDRAIL	2.0
567+73.24	568+45.74	WIDENING FOR GUARDRAIL	2.0
566+57.24	567+29.74	WIDENING FOR GUARDRAIL	2.0
579+11.68	579+84.18	WIDENING FOR GUARDRAIL	2.0
586+10.18	586+82.68	WIDENING FOR GUARDRAIL	2.0
684+60.15	685+32.65	WIDENING FOR GUARDRAIL	2.0
690+84.45	691+56.95	WIDENING FOR GUARDRAIL	2.0
790+27.05	790+99.55	WIDENING FOR GUARDRAIL	2.0
795+81.15	796+53.65	WIDENING FOR GUARDRAIL	2.0

PLOT DATE = 3/30/2007  
FILE NAME = c:\p\projects\d514406\1\8\70628\sheet9.dgn  
PLOT SCALE = 42.3523 / IN.  
USER NAME = pier-sonbr

ILLINOIS DEPARTMENT OF TRANSPORTATION  
**SCHEDULE OF QUANTITIES**  
 F.A.I. ROUTE 57 (I-57)  
 SECTION D5 SAFETY IMPROVEMENT 2007-2  
 CHAMPAIGN, COLES, & DOUGLAS COUNTIES  
*Sheet 9 of 13*  
 SCALE: NOT TO SCALE DRAWN BY: B.B.P.  
 DATE: 03/24/07 CHECKED BY: M.L.B.

# SCHEDULE OF QUANTITIES

SHEET 10 of 13

F.A.I. RTE.	SECTION	COUNTY	TOTAL SHEETS	SHEET NO.
57	•	••	153	42

STA. TO STA.  
 FED. ROAD DIST. NO. ILLINOIS FED. AID PROJECT  
 • D5 SAFETY IMPROVEMENT 2007-2  
 •• CHAMPAIGN, COLES, & DOUGLAS

CHAMPAIGN COUNTY - RURAL

933+58.64	934+31.14	WIDENING FOR GUARDRAIL	2.0
934+61.82	935+34.32	WIDENING FOR GUARDRAIL	2.0
945+21.17	945+93.67	WIDENING FOR GUARDRAIL	2.0
24+83.33	25+44.00	WIDENING FOR GUARDRAIL	2.0
114+42.76	115+15.26	WIDENING FOR GUARDRAIL	2.0
113+80.26	114+52.76	WIDENING FOR GUARDRAIL	2.0
121+84.75	122+57.25	WIDENING FOR GUARDRAIL	2.0
122+47.25	123+19.75	WIDENING FOR GUARDRAIL	2.0
166+35.93	167+08.43	WIDENING FOR GUARDRAIL	2.4
175+99.05	176+71.55	WIDENING FOR GUARDRAIL	2.4
172+17.23	172+89.73	WIDENING FOR GUARDRAIL	2.4
170+92.05	171+64.55	WIDENING FOR GUARDRAIL	2.4
176+94.05	177+66.55	WIDENING FOR GUARDRAIL	2.4
255+31.65	256+04.15	WIDENING FOR GUARDRAIL	2.4
261+57.45	262+29.95	WIDENING FOR GUARDRAIL	2.4
386+51.40	387+23.90	WIDENING FOR GUARDRAIL	2.4
392+41.36	393+13.86	WIDENING FOR GUARDRAIL	2.4
409+58.22	410+30.72	WIDENING FOR GUARDRAIL	2.4
402+05.76	402+78.26	WIDENING FOR GUARDRAIL	2.4

CHAMPAIGN COUNTY - URBAN

358+72.87	359+45.37	WIDENING FOR GUARDRAIL	2.4
358+91.32	359+63.82	WIDENING FOR GUARDRAIL	2.4
365+15.48	365+87.95	WIDENING FOR GUARDRAIL	2.4
365+67.68	36+40.18	WIDENING FOR GUARDRAIL	2.4
396+39.18	397+11.68	WIDENING FOR GUARDRAIL	2.4
411+59.40	412+31.90	WIDENING FOR GUARDRAIL	2.4
493+55.73	494+28.23	WIDENING FOR GUARDRAIL	2.4
525+90.40	526+62.90	WIDENING FOR GUARDRAIL	2.4
543+63.23	544+35.73	WIDENING FOR GUARDRAIL	2.4
562+48.95	563+21.45	WIDENING FOR GUARDRAIL	2.4
569+06.21	569+78.21	WIDENING FOR GUARDRAIL	2.4
578+96.85	579+69.35	WIDENING FOR GUARDRAIL	2.0
580+27.98	581+00.48	WIDENING FOR GUARDRAIL	2.4
585+30.65	586+03.15	WIDENING FOR GUARDRAIL	2.0
595+26.84	595+99.34	WIDENING FOR GUARDRAIL	2.0
599+95.14	600+67.64	WIDENING FOR GUARDRAIL	2.4
612+22.17	612+94.67	WIDENING FOR GUARDRAIL	2.0
622+32.74	623+05.24	WIDENING FOR GUARDRAIL	2.0
630+28.27	631+00.77	WIDENING FOR GUARDRAIL	2.0
667+85.46	668+57.96	WIDENING FOR GUARDRAIL	2.0

CHAMPAIGN COUNTY - RURAL

705+14.01	705+86.51	WIDENING FOR GUARDRAIL	2.0
711+43.15	712+15.65	WIDENING FOR GUARDRAIL	2.0
762+04.16	762+76.66	WIDENING FOR GUARDRAIL	2.0
771+76.24	772+48.74	WIDENING FOR GUARDRAIL	2.0
765+63.23	766+35.73	WIDENING FOR GUARDRAIL	2.0
872+35.72	873+08.22	WIDENING FOR GUARDRAIL	2.0
880+45.90	881+18.40	WIDENING FOR GUARDRAIL	2.0
716+80.00	917+52.50	WIDENING FOR GUARDRAIL	2.4
922+52.50	923+25.00	WIDENING FOR GUARDRAIL	2.4
949+07.24	949+79.74	WIDENING FOR GUARDRAIL	2.4
955+95.26	956+67.76	WIDENING FOR GUARDRAIL	2.4
1013+30.57	1014+03.07	WIDENING FOR GUARDRAIL	2.4

CHAMPAIGN COUNTY - RURAL, Con't.

1019+54.37	1020+26.87	WIDENING FOR GUARDRAIL	2.4
1018+46.50	1019+19.00	WIDENING FOR GUARDRAIL	2.4
1022+92.00	1023+64.50	WIDENING FOR GUARDRAIL	2.4
1049+38.00	1048+65.50	WIDENING FOR GUARDRAIL	2.4
1055+87.50	1056+60.00	WIDENING FOR GUARDRAIL	2.4
1125+26.54	1125+99.04	WIDENING FOR GUARDRAIL	2.4
1130+85.34	1131+57.84	WIDENING FOR GUARDRAIL	2.4
1154+69.50	1155+42.00	WIDENING FOR GUARDRAIL	2.4
1160+59.50	1161+32.00	WIDENING FOR GUARDRAIL	2.4
1188+98.00	1189+70.50	WIDENING FOR GUARDRAIL	2.4
1194+28.50	1195+01.00	WIDENING FOR GUARDRAIL	2.4
1231+97.18	1232+69.68	WIDENING FOR GUARDRAIL	2.4
1238+20.98	1238+93.48	WIDENING FOR GUARDRAIL	2.4

CHAMPAIGN COUNTY - URBAN

1271+11.83	1271+84.33	WIDENING FOR GUARDRAIL	2.4
1270+11.83	1270+84.33	WIDENING FOR GUARDRAIL	2.4
1279+11.87	1279+84.37	WIDENING FOR GUARDRAIL	2.4
1280+11.87	1280+84.37	WIDENING FOR GUARDRAIL	2.4

CHAMPAIGN COUNTY - RURAL

1310+84.98	1311+57.48	WIDENING FOR GUARDRAIL	2.0
1310+60.48	1311+32.98	WIDENING FOR GUARDRAIL	2.0
1328+39.21	1329+11.71	WIDENING FOR GUARDRAIL	2.0
1320+13.98	1320+86.48	WIDENING FOR GUARDRAIL	2.0
1344+00.24	1344+72.74	WIDENING FOR GUARDRAIL	2.0
1349+22.6	1349+95.10	WIDENING FOR GUARDRAIL	2.0
1406+50.19	1407+22.69	WIDENING FOR GUARDRAIL	2.0
1411+72.59	1412+45.09	WIDENING FOR GUARDRAIL	2.0
1465+11.75	1465+84.25	WIDENING FOR GUARDRAIL	2.0
1469+22.34	1469+94.84	WIDENING FOR GUARDRAIL	2.0
1474+59.70	1475+32.20	WIDENING FOR GUARDRAIL	2.0
1529+82.39	1530+54.89	WIDENING FOR GUARDRAIL	2.0
1535+56.19	1536+28.69	WIDENING FOR GUARDRAIL	2.0
1584+08.08	1584+80.58	WIDENING FOR GUARDRAIL	2.0
1583+08.08	1583+80.58	WIDENING FOR GUARDRAIL	2.0
1591+12.32	1591+84.82	WIDENING FOR GUARDRAIL	2.0
1593+20.38	1593+92.88	WIDENING FOR GUARDRAIL	2.0

TOTAL = 804.5

PLOT DATE = 3/30/2007  
 FILE NAME = c:\projects\d51406 (v8)\70628\sheet10.dgn  
 PLOT SCALE = 42.3523 / IN.  
 USER NAME = pier-sonbr

ILLINOIS DEPARTMENT OF TRANSPORTATION  
**SCHEDULE OF QUANTITIES**  
 F.A.I. ROUTE 57 (I-57)  
 SECTION D5 SAFETY IMPROVEMENT 2007-2  
 CHAMPAIGN, COLES, & DOUGLAS COUNTIES  
*Sheet 10 of 13*  
 SCALE: NOT TO SCALE DRAWN BY: B.B.P.  
 DATE: 03/24/07 CHECKED BY: M.L.B.

# SCHEDULE OF QUANTITIES

SHEET 11 of 13

F.A.I. RTE.	SECTION	COUNTY	TOTAL SHEETS	SHEET NO.
57	•	••	153	43
STA.		TO STA.		
FED. ROAD DIST. NO.	ILLINOIS	FED. AID PROJECT		
• D5 SAFETY IMPROVEMENT 2007-2 •• CHAMPAIGN, COLES, & DOUGLAS				

28000300 TEMPORARY DITCH CHECKS

STATION	DESCRIPTION	EACH
<u>COLES COUNTY: RURAL</u>		
1384+50.00	015-0063	1.0
1385+57.00	015-0063	1.0
<u>DOUGLAS COUNTY: RURAL</u>		
1388+00.00	015-0063	1.0
1389+00.00	015-0063	1.0
1491+68.00	021-0024	1.0
1493+90.00	021-0024	1.0
1494+50.00	021-0024	1.0
149+50.00	021-0041	1.0
150+20.00	021-0041	1.0
153+10.00	021-0041	1.0
154+00.00	021-0041	1.0
581+00.00	021-0044	1.0
	021-0044	1.0
	021-0044	1.0
584+50.00	021-0044	1.0
686+00.00	021-0043	1.0
687+00.00	021-0043	1.0
689+00.00	021-0043	1.0
791+25.00	021-0034	1.0
792+00.00	021-0034	1.0
794+15.00	021-0034	1.0
795+00.00	021-0034	1.0
<u>CHAMPAIGN COUNTY: RURAL</u>		
168+25.00	010-0145	1.0
168+90.00	010-0145	1.0
171+62.00	010-0145	1.0
172+50.00	010-0145	1.0
257+55.00	010-0181	1.0
259+95.00	010-0181	1.0
1014+71.00	010-0156	1.0
1015+55.00	010-0156	1.0
1017+76.00	010-0156	1.0
1018+36.00	010-0156	1.0
1126+55.00	010-0165	1.0
1127+55.00	010-0165	1.0
1129+50.00	010-0165	1.0
1233+88.00	010-0164	1.0
1234+60.00	010-0164	1.0
1236+60.00	010-0164	1.0
<u>CHAMPAIGN COUNTY: URBAN</u>		
348+25.00	010-0176	1.0
349+15.00	010-0176	1.0
351+53.00	010-0176	1.0
TOTAL =		41.0

28000500 INLET AND PIPE PROTECTION

STATION	DESCRIPTION	EACH
<u>COLES COUNTY: RURAL</u>		
1385+78.09	015-0063	1.0
<u>DOUGLAS COUNTY: RURAL</u>		
150+00.00	021-0041	1.0
151+03.72	021-0041	1.0
791+78.39	021-0034	1.0
794+30.00	021-0034	1.0
<u>CHAMPAIGN COUNTY: RURAL</u>		
169+50.32	010-0145	1.0
258+20.12	010-0181	1.0
259+40.22	010-0181	1.0
1017+61.00	010-0156	1.0
1129+50.00	010-0165	1.0
1235+98.00	010-0164	1.0
<u>CHAMPAIGN COUNTY: URBAN</u>		
350+97.07	010-0176	1.0
TOTAL =		12.0

50104400 CONCRETE HEADWALL REMOVAL

STATION	TYPE	EACH
<u>DOUGLAS COUNTY: RURAL</u>		
258+80.00 RT	PIPE CULVERT 48"	1.0
258+80.00 LT	PIPE CULVERT 48"	1.0
TOTAL =		2.0

50800205 REINFORCED BARS, EPOXY COATED

LOCATION	POUNDS	
<u>DOUGLAS COUNTY : RURAL</u>		
SN 021-0024	1147.4	
<u>CHAMPAIGN COUNTY: RURAL</u>		
SN 010-0200	30.0	
SN 010-0145	478.1	
SN 010-0185	124.7	
SN 010-0172	503.9	
<u>CHAMPAIGN COUNTY: URBAN</u>		
SN 010-0100	187.0	
TOTAL =		2471.1

PLOT DATE = 3/30/2007  
 FILE NAME = c:\projects\d51406 (v8)\70628\sheet11.dgn  
 PLOT SCALE = 42.3523 / IN.  
 USER NAME = pier-sonbr

ILLINOIS DEPARTMENT OF TRANSPORTATION  
**SCHEDULE OF QUANTITIES**  
 F.A.I. ROUTE 57 (I-57)  
 SECTION D5 SAFETY IMPROVEMENT 2007-2  
 CHAMPAIGN, COLES, & DOUGLAS COUNTIES  
 Sheet 11 of 13  
 SCALE: NOT TO SCALE DRAWN BY: B.B.P.  
 DATE: 03/24/07 CHECKED BY: M.L.B.

# SCHEDULE OF QUANTITIES

SHEET 12 of 13

F.A.I. RTE.	SECTION	COUNTY	TOTAL SHEETS	SHEET NO.
57	•	••	153	44
STA.		TO STA.		
FED. ROAD DIST. NO.	ILLINOIS	FED. AID PROJECT		
• D5 SAFETY IMPROVEMENT 2007-2 •• CHAMPAIGN, COLES, & DOUGLAS				

54213693 PRECAST REINFORCED CONCRETE FLARED END SECTIONS 48"

STATION	TYPE	EACH
DOUGLAS COUNTY: RURAL		
258+80.00 RT	PIPE CULVERT 48"	1.0
258+80.00 LT	PIPE CULVERT 48"	1.0
TOTAL =		2.0

54244405 FLUSH INLET BOX MEDIAN STANDARD 542546

STATION	DESCRIPTION	EACH
DOUGLAS COUNTY: RURAL		
150+00.00	S. N. 021-0041	1.0
TOTAL =		1.0

54246205 INLET BOX STANDARD 542526

STATION	DESCRIPTION	EACH
CHAMPAIGN COUNTY: RURAL		
257+00.00	010-0181	1.0
260+50.00	010-0181	1.0
CHAMPAIGN COUNTY: URBAN		
352+00.00	010-0176	1.0
TOTAL =		3.0

54247190 GRATING FOR CONCRETE FLARED END SECTION 48"

STATION	TYPE	EACH
DOUGLAS COUNTY: RURAL		
258+80.00 RT	PIPE CULVERT 48"	1.0
258+80.00 LT	PIPE CULVERT 48"	1.0
TOTAL =		2.0

54248510 CONCRETE COLLAR

STATION	DESCRIPTION	EACH
CHAMPAIGN COUNTY: RURAL		
258+20.12	S. N. 010-0181	0.9
259+40.22	S. N. 010-0181	0.9
TOTAL =		1.8

542A0220 PIPE CULVERTS, CLASS A, TYPE 1 15"

STATION	TO	STATION	DESCRIPTION	FOOT
DOUGLAS COUNTY: RURAL				
149+50.00		151+03.72	S. N. 021-0041	153.72
TOTAL =				153.72
FINAL TOTAL =				154.0

542A0229 PIPE CULVERTS CLASS A, TYPE 1 24"

STATION	TO	STATION	DESCRIPTION	FOOT
CHAMPAIGN COUNTY: RURAL				
257+00.00		258+20.12	S. N. 010-0181	120.12
259+40.22		260+50.00	S. N. 010-0181	109.78
258+20.12, 3.5' LT		258+20.12, 9.5' LT	S. N. 010-0181	6.00
258+20.12, 3.5' RT		258+20.12, 9.5' RT	S. N. 010-0181	6.00
259+40.22, 3.5' LT		259+40.22, 9.5' LT	S. N. 010-0181	6.00
259+40.22, 3.5' RT		259+40.22, 9.5' RT	S. N. 010-0181	6.00
1017+61.00		1018+21.00	S. N. 010-0156	60.00
CHAMPAIGN COUNTY: URBAN				
350+97.07		352+00.00	S. N. 010-0176	102.93
TOTAL =				416.83
FINAL TOTAL =				417.00

60226270 RESTRICTED DEPTH MANHOLE 7 FOOT DIAMETER, TYPE 1 FRAME, CLOSED LID

STATION	DESCRIPTION	EACH
DOUGLAS COUNTY: RURAL		
151+03.72	S. N. 021-0041	1.0
CHAMPAIGN COUNTY: RURAL		
1017+61.00	S. N. 010-0156	1.0
TOTAL =		2.0

60500090 REMOVE INLETS TO MAINTAIN FLOW

STATION	DESCRIPTION	EACH
DOUGLAS COUNTY: RURAL		
151+03.72	S. N. 021-0041	1.0
CHAMPAIGN COUNTY: RURAL		
258+20.12	S. N. 010-0181	2.0
259+40.22	S. N. 010-0181	2.0
1017+61.00	S. N. 010-0156	1.0
CHAMPAIGN COUNTY: URBAN		
350+97.07	S. N. 010-0176	1.0
TOTAL =		7.0

PLOT DATE = 3/30/2007  
 FILE NAME = c:\projects\ds14406\18\70628\sheet12.dgn  
 PLOT SCALE = 42.3523 / IN.  
 USER NAME = pier-sonbr

ILLINOIS DEPARTMENT OF TRANSPORTATION  
**SCHEDULE OF QUANTITIES**  
 F.A.I. ROUTE 57 (I-57)  
 SECTION D5 SAFETY IMPROVEMENT 2007-2  
 CHAMPAIGN, COLES, & DOUGLAS COUNTIES  
*Sheet 12 of 13*  
 SCALE: NOT TO SCALE DRAWN BY: B.B.P.  
 DATE: 03/24/07 CHECKED BY: M.L.B.

# SCHEDULE OF QUANTITIES

SHEET 13 of 13

F.A.I. RTE.	SECTION	COUNTY	TOTAL SHEETS	SHEET NO.
57	•	••	153	45
STA.		TO STA.		
FED. ROAD DIST. NO.	ILLINOIS	FED. AID PROJECT		
• D5 SAFETY IMPROVEMENT 2007-2 •• CHAMPAIGN, COLES, & DOUGLAS				

63400105 GUARD POSTS

LOCATION	EACH
<u>COLES COUNTY: RURAL</u>	
015-0063	5.0
<u>DOUGLAS COUNTY: RURAL</u>	
015-0063	5.0
021-0024	10.0
021-0041	10.0
021-0044	10.0
021-0043	10.0
021-0034	10.0
<u>CHAMPAIGN COUNTY: RURAL</u>	
010-0145	10.0
010-0181	10.0
010-0156	10.0
010-0165	10.0
010-0164	10.0
<u>CHAMPAIGN COUNTY: URBAN</u>	
010-0176	10.0
TOTAL =	120.0

63400205 GUARD POSTS REMOVAL

LOCATION	EACH
<u>COLES COUNTY: RURAL</u>	
015-0063	12.0
<u>DOUGLAS COUNTY: RURAL</u>	
021-0024	4.0
TOTAL =	16.0

X0324043 GRATING FOR CONCRETE HEADWALL

STATION	DESCRIPTION	EACH
<u>DOUGLAS COUNTY: RURAL</u>		
178+00.00 RT	021-8003	1.0
178+00.00 LT	021-8003	1.0
229+50.00 RT	BOX CULVERT	1.0
229+50.00 LT	BOX CULVERT	1.0
229+66.00 RT	021-8004	1.0
229+66.00 LT	021-8004	1.0
262+00.00 RT	BOX CULVERT	1.0
262+00.00 LT	BOX CULVERT	1.0
280+00.00 RT	BOX CULVERT	1.0
280+00.00 LT	BOX CULVERT	1.0
TOTAL =		10.0

XX002909 CLASS SI CONCRETE

LOCATION	CU. YD.
<u>DOUGLAS COUNTY: RURAL</u>	
SN 021-0024	12.6
<u>CHAMPAIGN COUNTY: RURAL</u>	
SN 010-0145	5.4
SN 010-0185	14.5
SN 010-0172	8.2
<u>CHAMPAIGN COUNTY: URBAN</u>	
SN 010-0100	5.5
TOTAL =	46.2

Z0030150 IMPACT ATTENUATORS (NON-REDIRECTIVE), TEST LEVEL 3

LOCATION	EACH
<u>COLES COUNTY: RURAL</u>	
015-0063	1.0
<u>DOUGLAS COUNTY: RURAL</u>	
015-0063	1.0
021-0024	2.0
021-0041	2.0
021-0044	2.0
021-0043	2.0
021-0034	2.0
<u>CHAMPAIGN COUNTY: RURAL</u>	
010-0145	2.0
010-0181	2.0
010-0156	2.0
010-0165	2.0
010-0164	2.0
<u>CHAMPAIGN COUNTY: URBAN</u>	
010-0176	2.0
TOTAL =	24.0

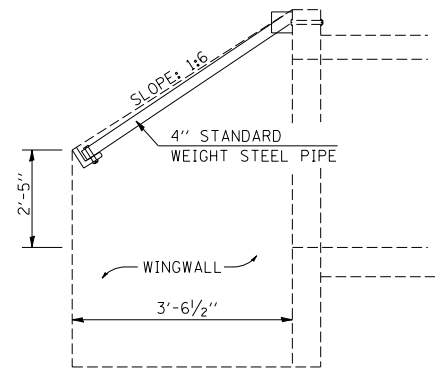
PLOT DATE = 3/30/2007  
 FILE NAME = c:\projects\ds51406\18\70628\sheet13.dgn  
 PLOT SCALE = 42.3523 / IN.  
 USER NAME = pier-sonbr

ILLINOIS DEPARTMENT OF TRANSPORTATION  
**SCHEDULE OF QUANTITIES**  
 F.A.I. ROUTE 57 (I-57)  
 SECTION D5 SAFETY IMPROVEMENT 2007-2  
 CHAMPAIGN, COLES, & DOUGLAS COUNTIES  
*Sheet 13 of 13*

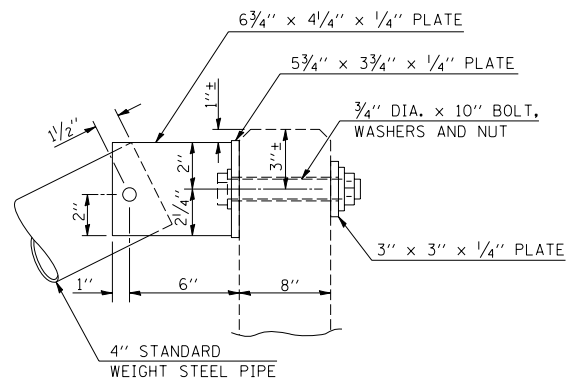
SCALE: NOT TO SCALE      DRAWN BY: B.B.P.  
 DATE: 03/24/07      CHECKED BY: M.L.B.

F.A.I. RTE.	SECTION	COUNTY	TOTAL SHEETS	SHEET NO.
57		..	153	46

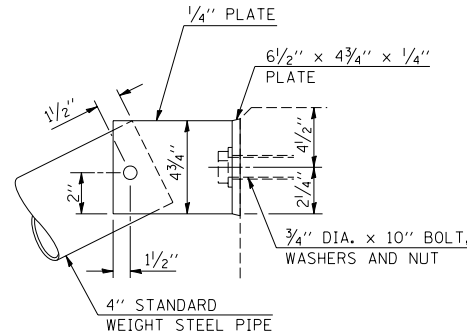
STA. TO STA.  
 ILLINOIS FED. AID PROJECT  
 • D5 SAFETY IMPROVEMENT 2007-2  
 •• CHAMPAIGN, COLES, & DOUGLAS



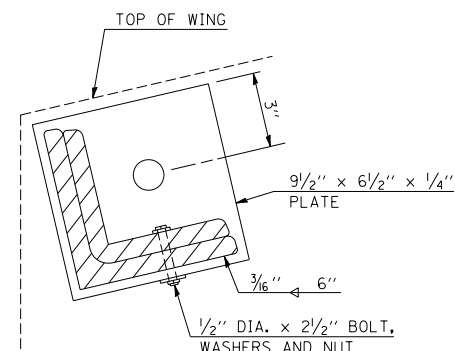
SECTION A - A



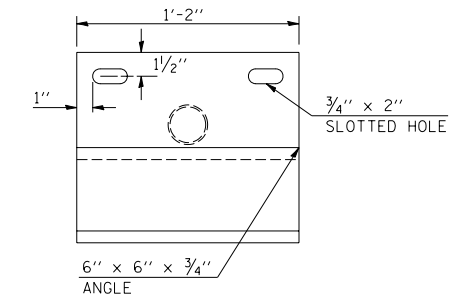
ELEVATION AT HEADWALL



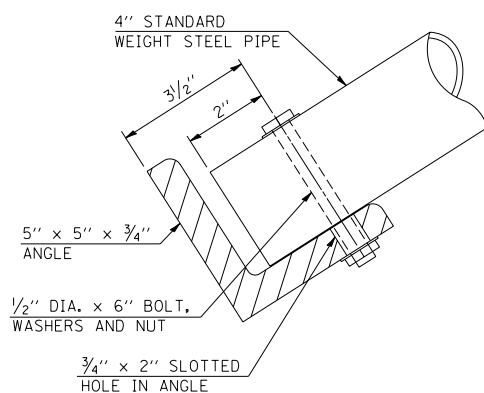
ELEVATION AT WINGWALL



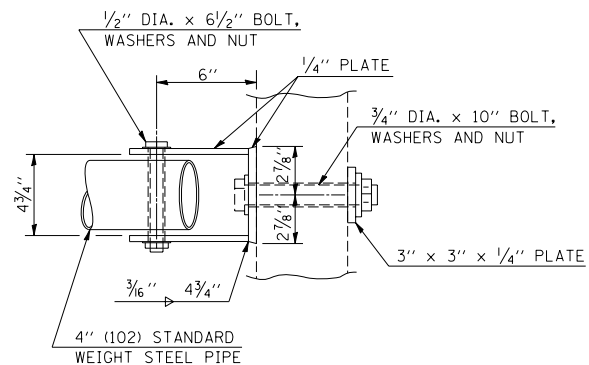
ELEVATION AT END OF WINGWALL



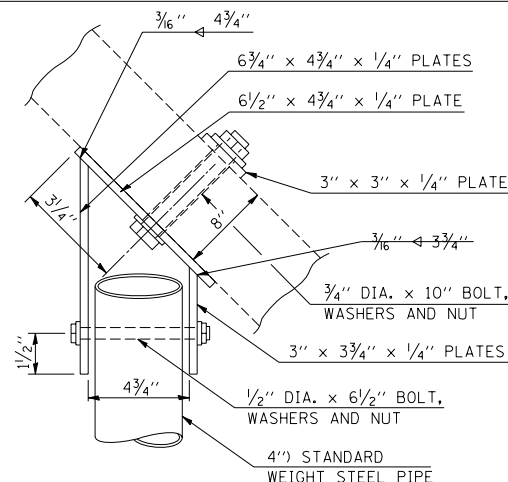
PLAN VIEW OF SUPPORT  
(TWO REQ'D. AT EACH GRATING)



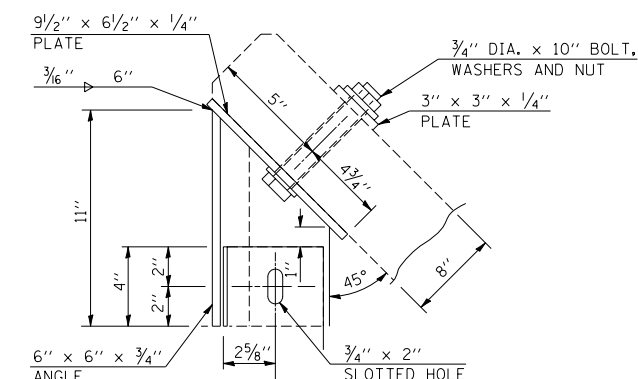
SECTION B - B



PLAN AT HEADWALL



PLAN AT WINGWALL

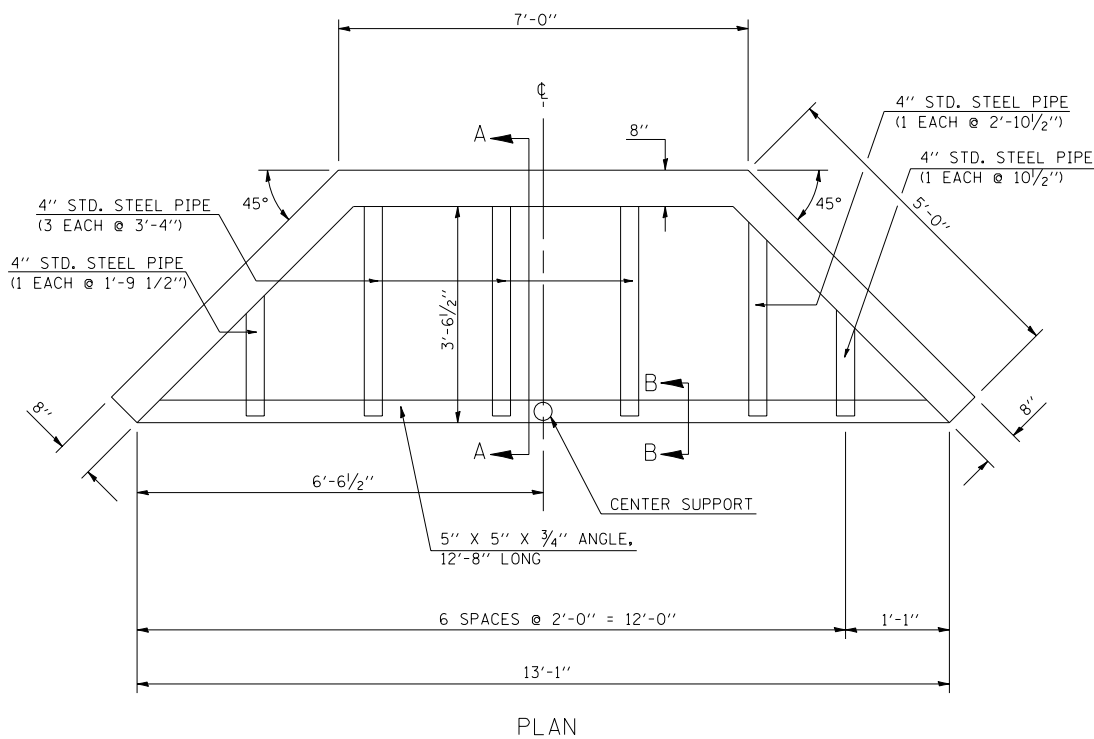


PLAN AT END OF WINGWALL

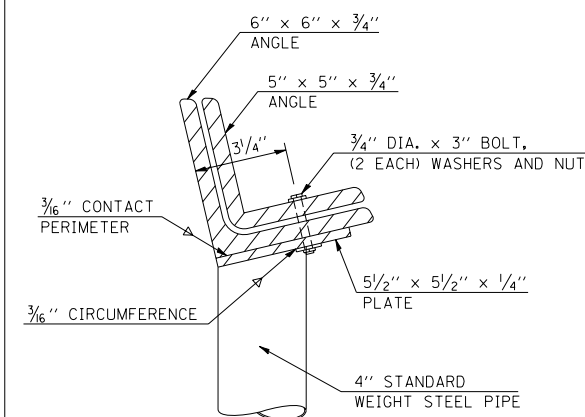
GENERAL NOTES

- BOLTS AND NUTS SHALL CONFORM TO A.S.T.M. A 307. ALL BOLTS SHALL HAVE WASHERS AT EACH END. HOLES SHALL BE 1/16" OVERSIZED UNLESS OTHERWISE NOTED EXCEPT IN CONCRETE WHICH SHALL BE 1/8" OVERSIZED.
- ANGLES AND STEEL PLATES SHALL CONFORM TO A.A.S.H.T.O. M 183. STEEL PIPES SHALL CONFORM TO A.S.T.M. A 53, GRADE B OR A.S.T.M. A 501.
- STEEL PIPES, ANGLES AND PLATES SHALL BE HOT DIPPED GALVANIZED CONFORMING TO THE REQUIREMENTS OF A.A.S.H.T.O. M 111.
- BOLTS, NUTS AND WASHERS SHALL BE HOT DIPPED GALVANIZED CONFORMING TO THE REQUIREMENTS OF A.A.S.H.T.O. M 232.
- THE APPROXIMATE WEIGHT OF THE STEEL IS 598 POUNDS. THIS TOTAL INCLUDES PLATES, ANGLES AND PIPES. BOLTS, NUTS AND WASHERS ARE NOT INCLUDED.
- ALL DIMENSIONS ARE TO BE VERIFIED IN THE FIELD. CUTTING OF THE STANDARD WEIGHT PIPE AND ANGLES TO THE EXACT LENGTH AND DRILLING HOLES IS TO BE DONE IN THE FIELD.
- THIS WORK WILL BE PAID FOR AT THE CONTRACT UNIT PRICE EACH FOR "GRATING FOR BOX CULVERT" WHICH PRICE SHALL INCLUDE ALL MATERIAL AND LABOR TO COMPLETE THE INSTALLATION AS SHOWN.

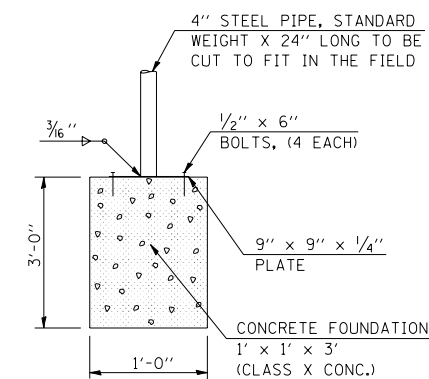
NUMBER OF CENTER SUPPORTS REQUIRED		
W.W. SPAN (TIP-TIP)	NUMBER REQUIRED	SPACING
0' TO 12'-6"	0	-
12'-6" TO 18'-0"	1	CENTER OF W.W. SPAN
OVER 18'-0"	(1 CENTER SUPPORT EVERY ADDITIONAL 6'-0" OF W.W. SPAN)	



PLAN



END VIEW OF SUPPORT  
(TWO REQ'D. AT EACH GRATING)



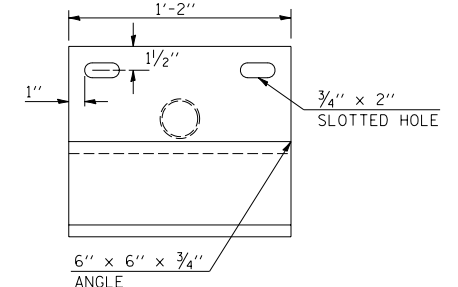
CENTER SUPPORT FOUNDATION  
(TWO REQ'D. AT EACH GRATING)

GRATING FOR CONCRETE HEADWALL  
 STATION 178+00.00

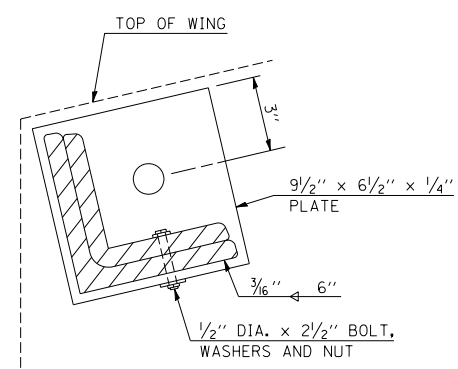
F.A.I. RTE.	SECTION	COUNTY	TOTAL SHEETS	SHEET NO.
57		..	153	47

STA. TO STA.  
 FED. ROAD DIST. NO. ILLINOIS FED. AID PROJECT

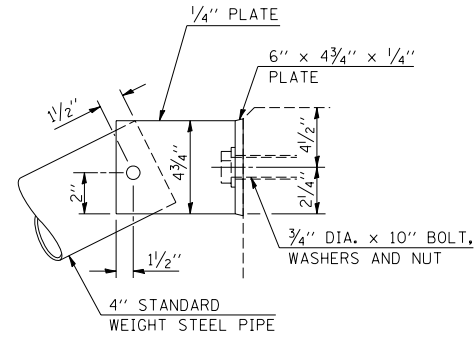
- D5 SAFETY IMPROVEMENT 2007-2
- CHAMPAIGN, COLES, & DOUGLAS



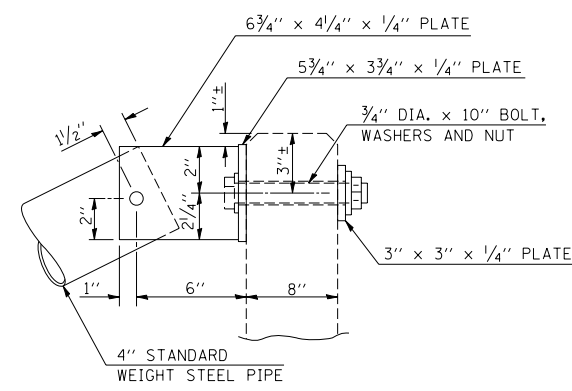
PLAN VIEW OF SUPPORT  
 (TWO REQ'D. AT EACH GRATING)



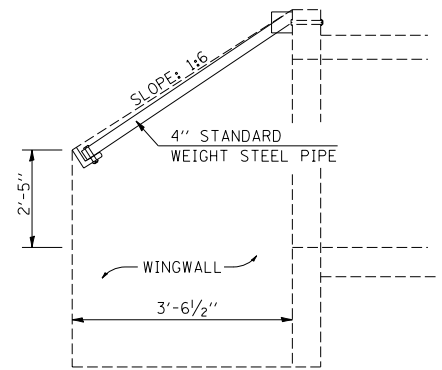
ELEVATION AT END OF WINGWALL



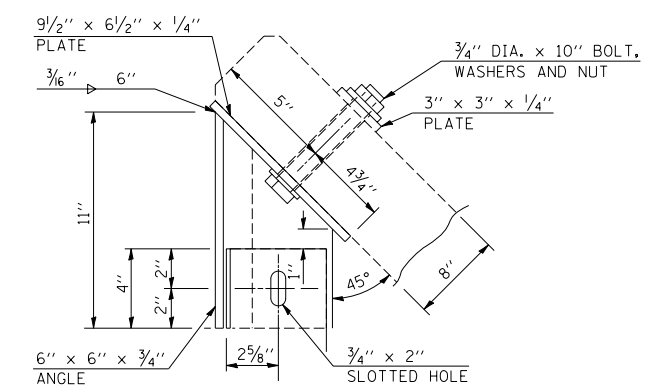
ELEVATION AT WINGWALL



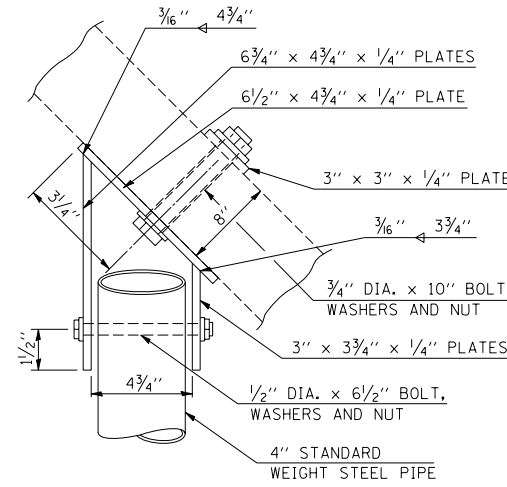
ELEVATION AT HEADWALL



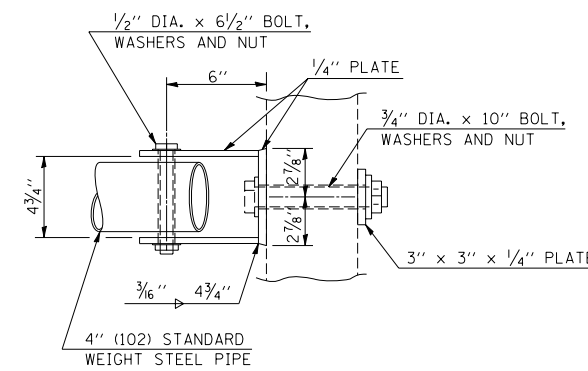
SECTION A - A



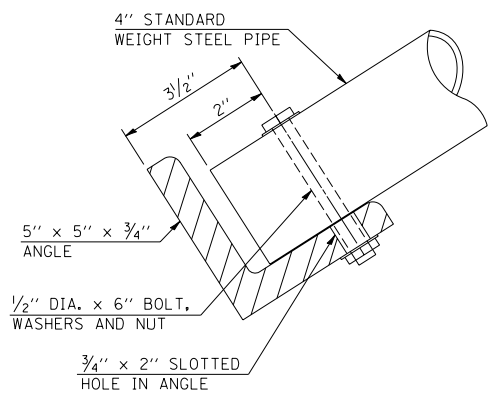
PLAN AT END OF WINGWALL



PLAN AT WINGWALL



PLAN AT HEADWALL

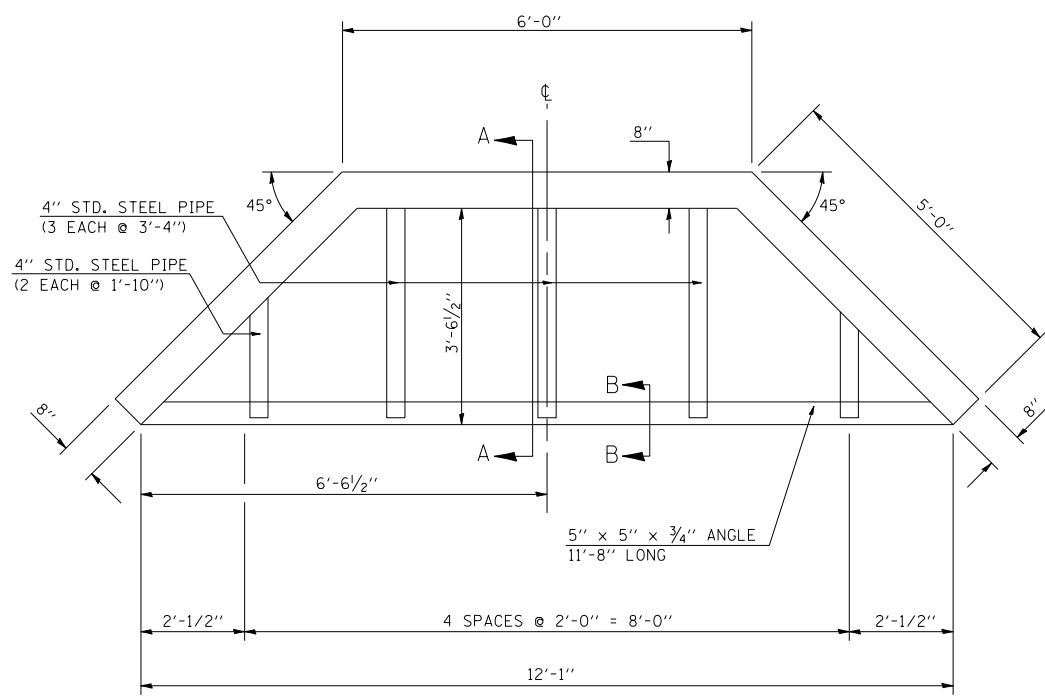


SECTION B - B

GENERAL NOTES

- BOLTS AND NUTS SHALL CONFORM TO A.S.T.M. A 307. ALL BOLTS SHALL HAVE WASHERS AT EACH END. HOLES SHALL BE 1/16" OVERSIZED UNLESS OTHERWISE NOTED EXCEPT IN CONCRETE WHICH SHALL BE 1/8" OVERSIZED.
- ANGLES AND STEEL PLATES SHALL CONFORM TO A.A.S.H.T.O. M 183. STEEL PIPES SHALL CONFORM TO A.S.T.M. A 53, GRADE B OR A.S.T.M. A 501.
- STEEL PIPES, ANGLES AND PLATES SHALL BE HOT DIPPED GALVANIZED CONFORMING TO THE REQUIREMENTS OF A.A.S.H.T.O. M 111.
- BOLTS, NUTS AND WASHERS SHALL BE HOT DIPPED GALVANIZED CONFORMING TO THE REQUIREMENTS OF A.A.S.H.T.O. M 232.
- THE APPROXIMATE WEIGHT OF THE STEEL IS 467 POUNDS. THIS TOTAL INCLUDES PLATES, ANGLES AND PIPES. BOLTS, NUTS AND WASHERS ARE NOT INCLUDED.
- ALL DIMENSIONS ARE TO BE VERIFIED IN THE FIELD. CUTTING OF THE STANDARD WEIGHT PIPE AND ANGLES TO THE EXACT LENGTH AND DRILLING HOLES IS TO BE DONE IN THE FIELD.
- THIS WORK WILL BE PAID FOR AT THE CONTRACT UNIT PRICE EACH FOR "GRATING FOR BOX CULVERT" WHICH PRICE SHALL INCLUDE ALL MATERIAL AND LABOR TO COMPLETE THE INSTALLATION AS SHOWN.

NUMBER OF CENTER SUPPORTS REQUIRED		
W.W. SPAN (TIP-TIP)	NUMBER REQUIRED	SPACING
0' TO 12'-6"	0	-
12'-6" TO 18'-0"	1	CENTER OF W.W. SPAN
OVER 18'-0"	(1 CENTER SUPPORT EVERY ADDITIONAL 6'-0" OF W.W. SPAN)	



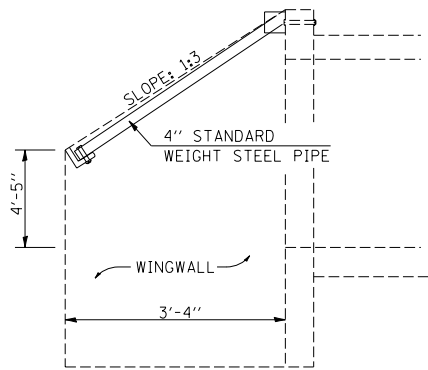
PLAN

GRATING FOR CONCRETE HEADWALL  
 STATION 229+50.00  
 STATION 262+00.00  
 STATION 280+00.00

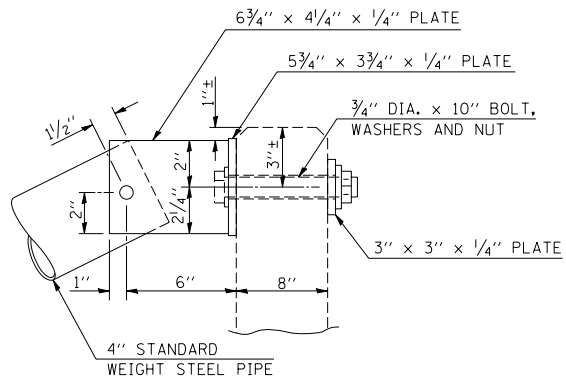
PLOT DATE = 3/30/2007  
 FILE NAME = c:\p\projects\d514406\18\70628der-talis.dgn  
 PLOT SCALE = 42.3529 / 1" IN.  
 USER NAME = pier-sonbr

F.A.I. RTE.	SECTION	COUNTY	TOTAL SHEETS	SHEET NO.
57		..	153	48

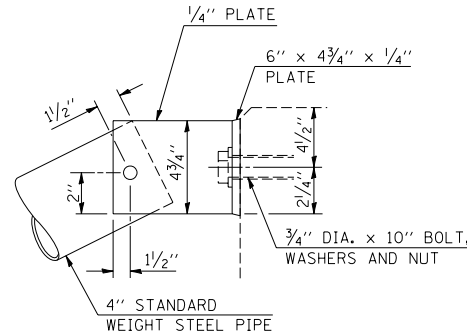
STA. TO STA.  
 FED. ROAD DIST. NO. ILLINOIS FED. AID PROJECT  
 • D5 SAFETY IMPROVEMENT 2007-2  
 • CHAMPAIGN, COLES, & DOUGLAS



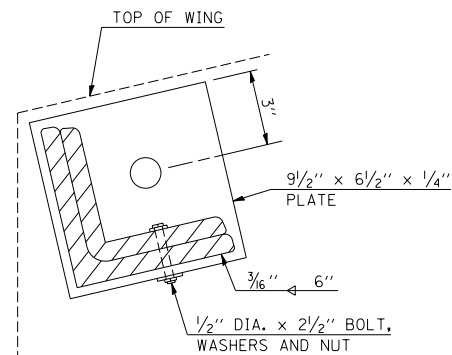
SECTION A - A



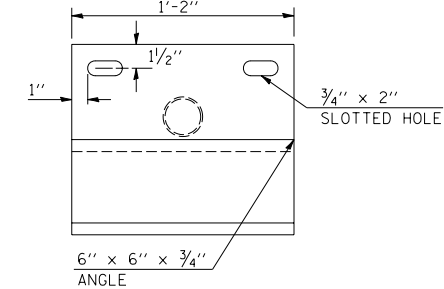
ELEVATION AT HEADWALL



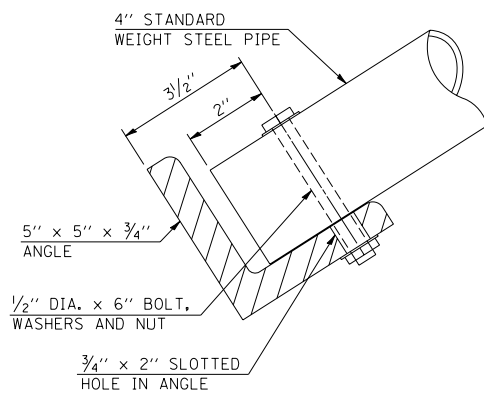
ELEVATION AT WINGWALL



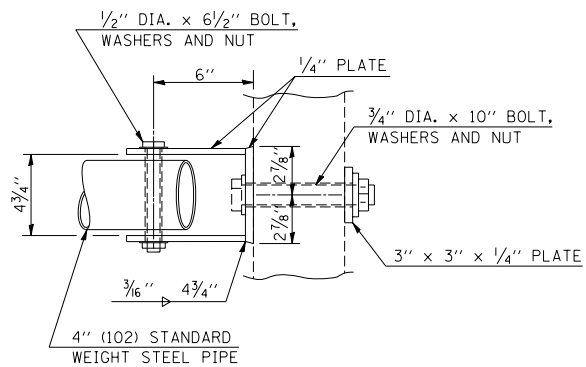
ELEVATION AT END OF WINGWALL



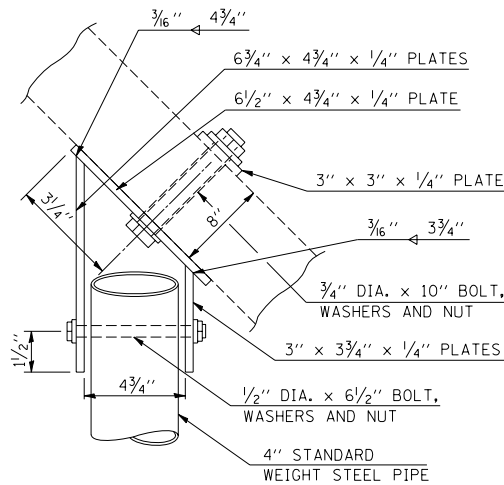
PLAN VIEW OF SUPPORT  
(TWO REQ'D. AT EACH GRATING)



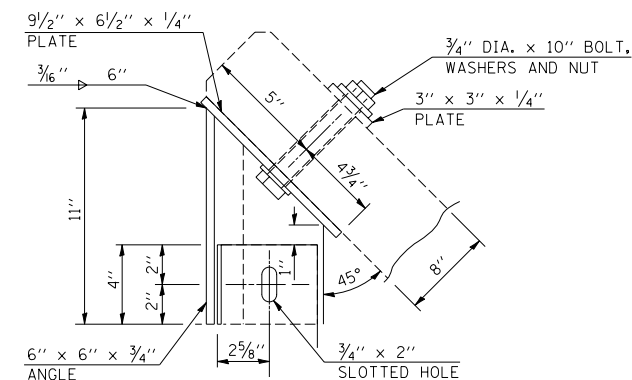
SECTION B - B



PLAN AT HEADWALL



PLAN AT WINGWALL

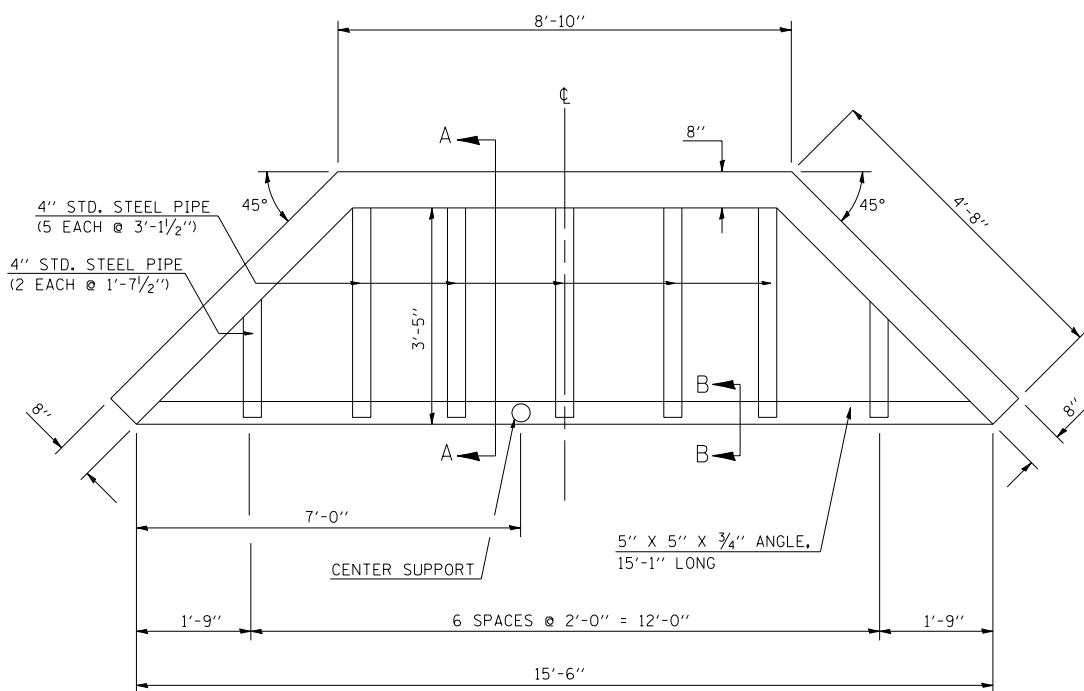


PLAN AT END OF WINGWALL

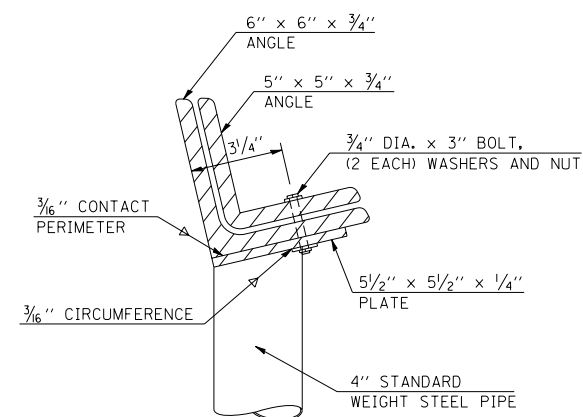
GENERAL NOTES

- BOLTS AND NUTS SHALL CONFORM TO A.S.T.M. A 307. ALL BOLTS SHALL HAVE WASHERS AT EACH END. HOLES SHALL BE 1/16" OVERSIZED UNLESS OTHERWISE NOTED EXCEPT IN CONCRETE WHICH SHALL BE 1/8" OVERSIZED.
- ANGLES AND STEEL PLATES SHALL CONFORM TO A.A.S.H.T.O. M 183. STEEL PIPES SHALL CONFORM TO A.S.T.M. A 53, GRADE B OR A.S.T.M. A 501.
- STEEL PIPES, ANGLES AND PLATES SHALL BE HOT DIPPED GALVANIZED CONFORMING TO THE REQUIREMENTS OF A.A.S.H.T.O. M 111.
- BOLTS, NUTS AND WASHERS SHALL BE HOT DIPPED GALVANIZED CONFORMING TO THE REQUIREMENTS OF A.A.S.H.T.O. M 232.
- THE APPROXIMATE WEIGHT OF THE STEEL IS 707 POUNDS. THIS TOTAL INCLUDES PLATES, ANGLES AND PIPES. BOLTS, NUTS AND WASHERS ARE NOT INCLUDED.
- ALL DIMENSIONS ARE TO BE VERIFIED IN THE FIELD. CUTTING OF THE STANDARD WEIGHT PIPE AND ANGLES TO THE EXACT LENGTH AND DRILLING HOLES IS TO BE DONE IN THE FIELD.
- THIS WORK WILL BE PAID FOR AT THE CONTRACT UNIT PRICE EACH FOR "GRATING FOR CONCRETE HEADWALL" WHICH PRICE SHALL INCLUDE ALL MATERIAL AND LABOR TO COMPLETE THE INSTALLATION AS SHOWN.

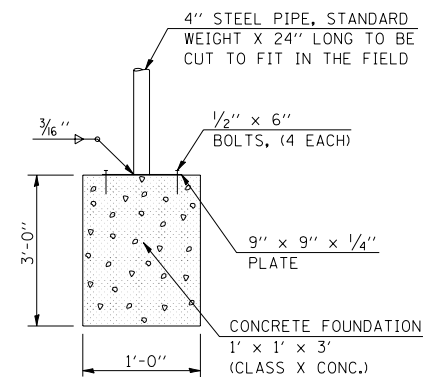
NUMBER OF CENTER SUPPORTS REQUIRED		
W.W. SPAN (TIP-TIP)	NUMBER REQUIRED	SPACING
0' TO 12'-6"	0	-
12'-6" TO 18'-0"	1	CENTER OF W.W. SPAN
OVER 18'-0"	(1 CENTER SUPPORT EVERY ADDITIONAL 6'-0" OF W.W. SPAN)	



PLAN



END VIEW OF SUPPORT

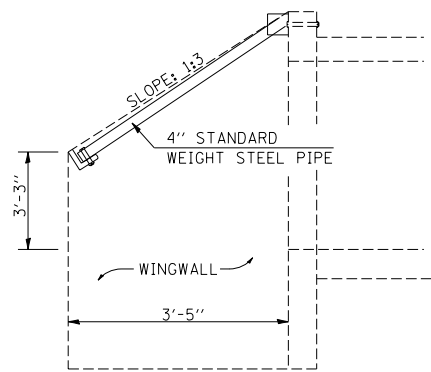


CENTER SUPPORT FOUNDATION

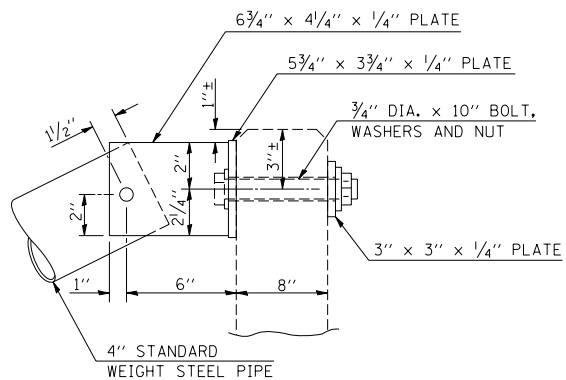
GRATING FOR CONCRETE HEADWALL  
 STATION 229+66.00 RT.



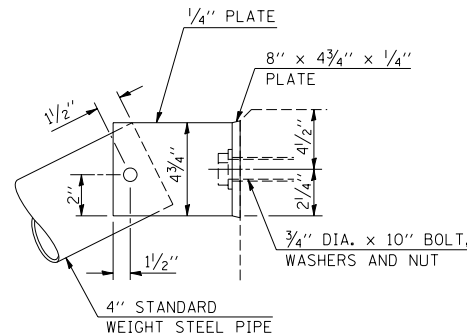
F.A.I. RTE.	SECTION	COUNTY	TOTAL SHEETS	SHEET NO.
57		..	153	49
STA.		TO STA.		
FED. ROAD DIST. NO.		ILLINOIS FED. AID PROJECT		
• D5 SAFETY IMPROVEMENT 2007-2 • CHAMPAIGN, COLES, & DOUGLAS				



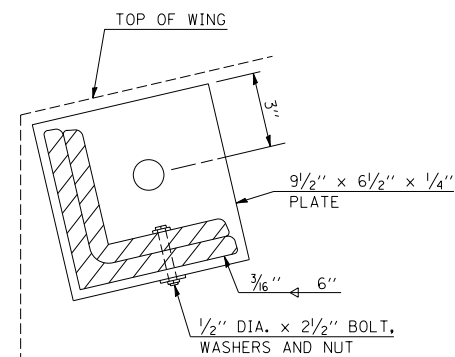
SECTION A - A



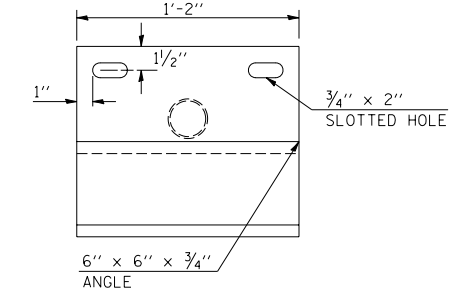
ELEVATION AT HEADWALL



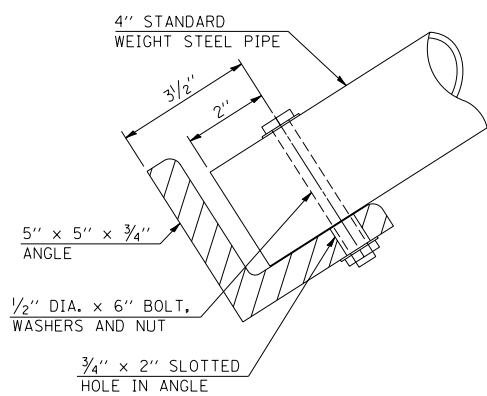
ELEVATION AT WINGWALL



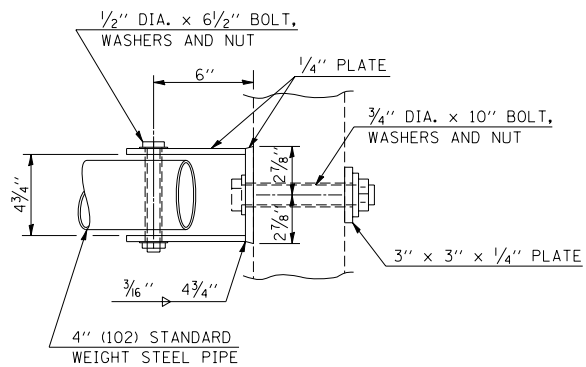
ELEVATION AT END OF WINGWALL



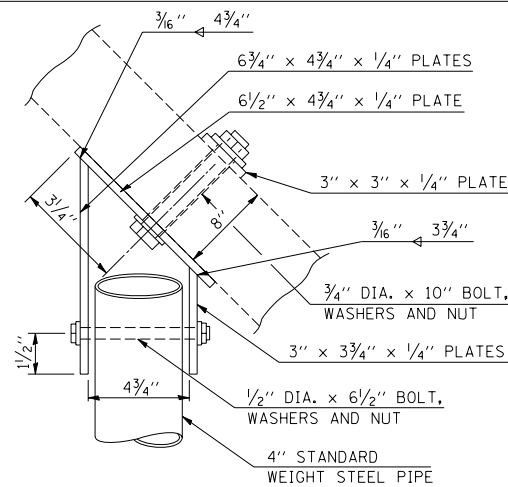
PLAN VIEW OF SUPPORT  
(TWO REQ'D. AT EACH GRATING)



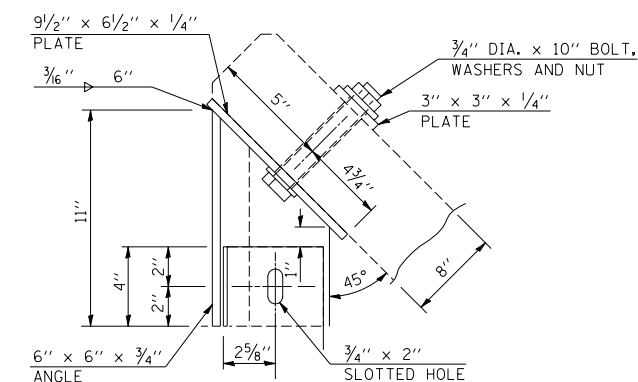
SECTION B - B



PLAN AT HEADWALL



PLAN AT WINGWALL

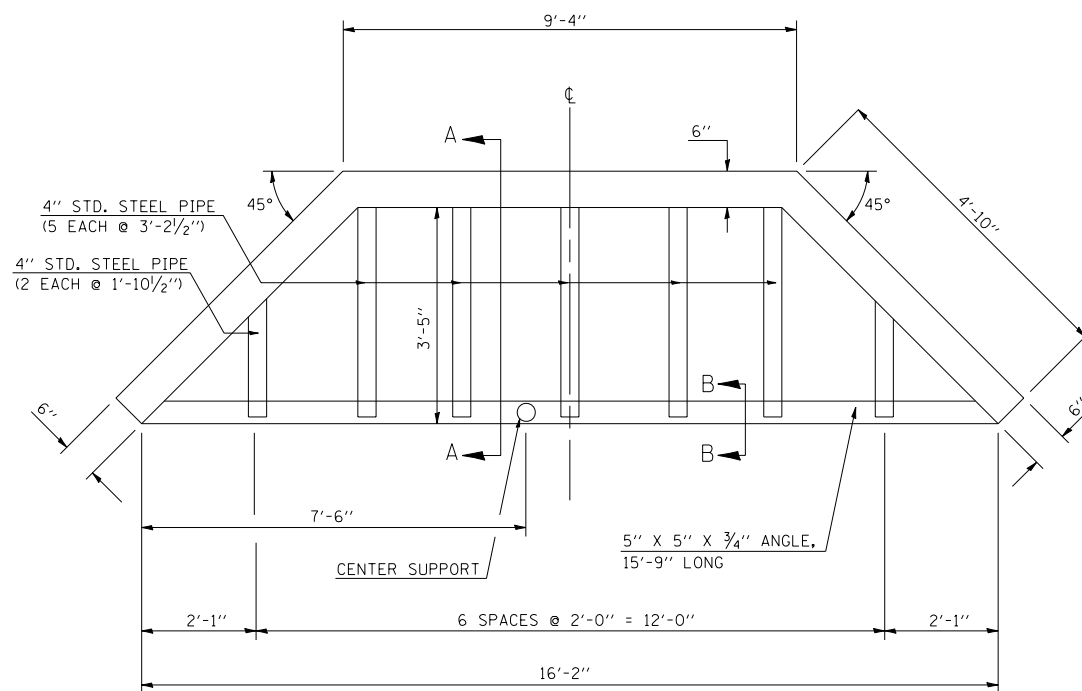


PLAN AT END OF WINGWALL

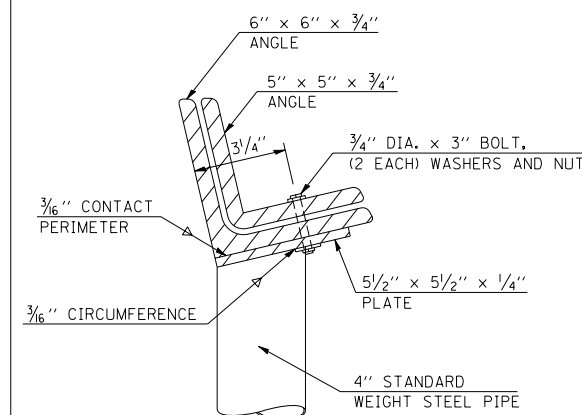
GENERAL NOTES

- BOLTS AND NUTS SHALL CONFORM TO A.S.T.M. A 307. ALL BOLTS SHALL HAVE WASHERS AT EACH END. HOLES SHALL BE 1/16" OVERSIZED UNLESS OTHERWISE NOTED EXCEPT IN CONCRETE WHICH SHALL BE 1/8" OVERSIZED.
- ANGLES AND STEEL PLATES SHALL CONFORM TO A.A.S.H.T.O. M 183. STEEL PIPES SHALL CONFORM TO A.S.T.M. A 53, GRADE B OR A.S.T.M. A 501.
- STEEL PIPES, ANGLES AND PLATES SHALL BE HOT DIPPED GALVANIZED CONFORMING TO THE REQUIREMENTS OF A.A.S.H.T.O. M 111.
- BOLTS, NUTS AND WASHERS SHALL BE HOT DIPPED GALVANIZED CONFORMING TO THE REQUIREMENTS OF A.A.S.H.T.O. M 232.
- THE APPROXIMATE WEIGHT OF THE STEEL IS 733 POUNDS. THIS TOTAL INCLUDES PLATES, ANGLES AND PIPES. BOLTS, NUTS AND WASHERS ARE NOT INCLUDED.
- ALL DIMENSIONS ARE TO BE VERIFIED IN THE FIELD. CUTTING OF THE STANDARD WEIGHT PIPE AND ANGLES TO THE EXACT LENGTH AND DRILLING HOLES IS TO BE DONE IN THE FIELD.
- THIS WORK WILL BE PAID FOR AT THE CONTRACT UNIT PRICE EACH FOR "GRATING FOR CONCRETE HEADWALL" WHICH PRICE SHALL INCLUDE ALL MATERIAL AND LABOR TO COMPLETE THE INSTALLATION AS SHOWN.

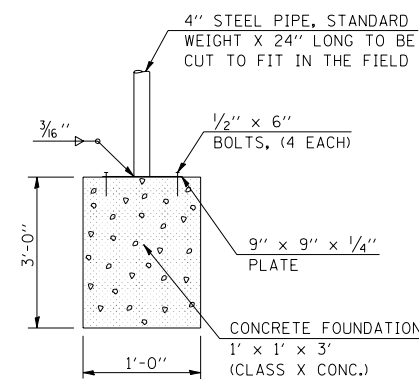
NUMBER OF CENTER SUPPORTS REQUIRED		
W.W. SPAN (TIP-TIP)	NUMBER REQUIRED	SPACING
0' TO 12'-6"	0	-
12'-6" TO 18'-0"	1	CENTER OF W.W. SPAN
OVER 18'-0"	(1 CENTER SUPPORT EVERY ADDITIONAL 6'-0" OF W.W. SPAN)	



PLAN



END VIEW OF SUPPORT



CENTER SUPPORT FOUNDATION

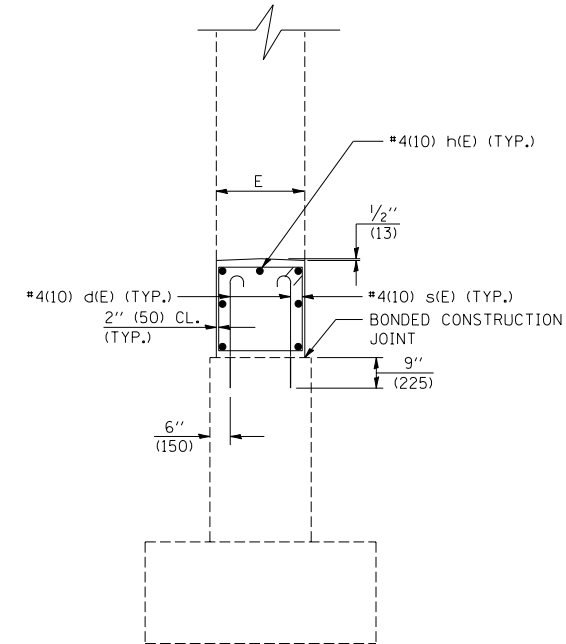
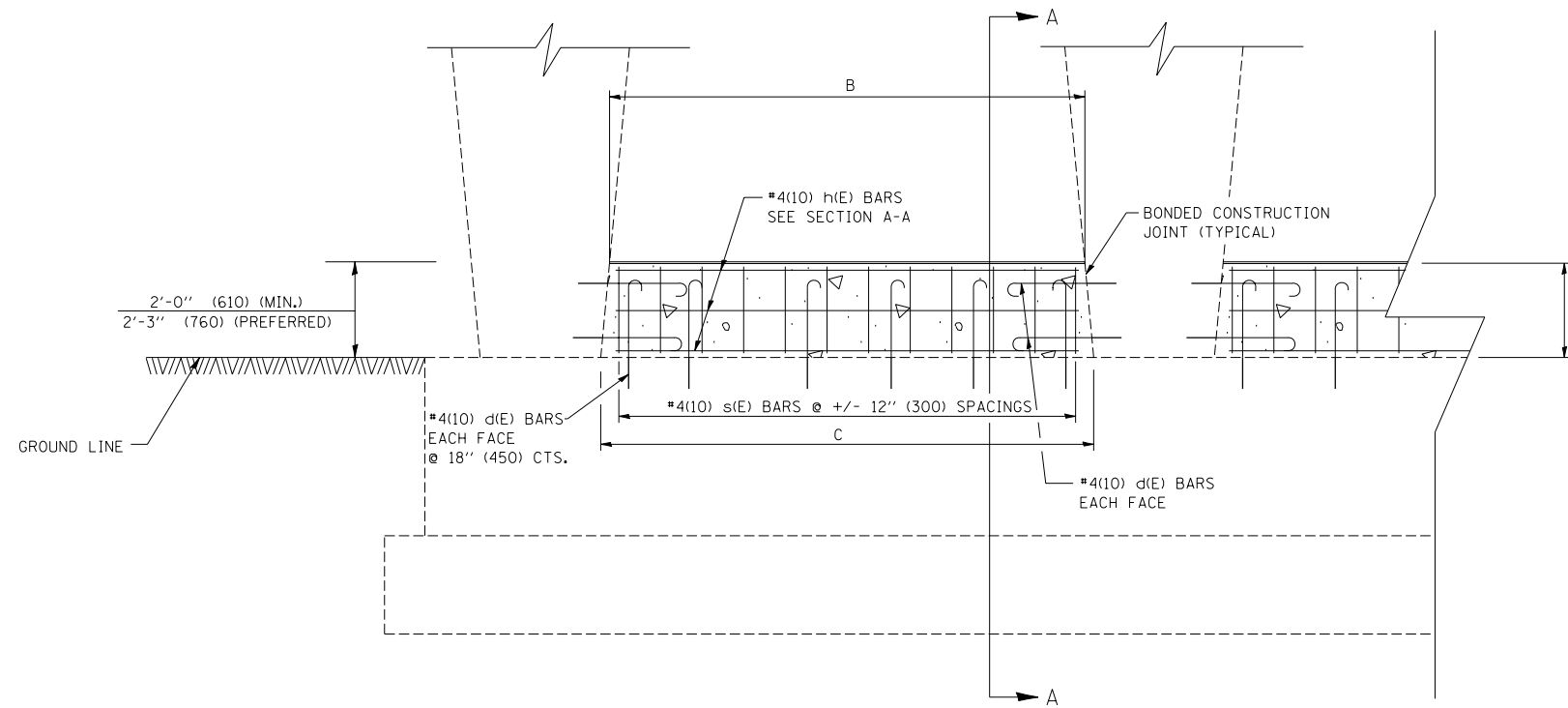
GRATING FOR CONCRETE HEADWALL  
STATION 229+66.00 LT.

F.A.I. RTE.	SECTION	COUNTY	TOTAL SHEETS	SHEET NO.
57	.	..	153	50

• D5 SAFETY IMPROVEMENT 2007-2  
 •• CHAMPAIGN, COLES, & DOUGLAS

# DETAIL OF CRASHWALL EXTENSION

## S.N. 021-0024



SECTION A-A

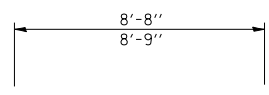
### GENERAL NOTES

CLASS SI CONCRETE SHALL BE USED THROUGHOUT.

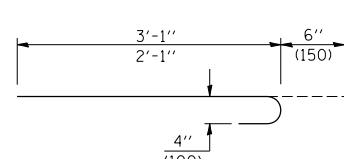
EPOXY GROUTING SHALL BE DONE IN ACCORDANCE WITH ARTICLE 584 OF THE STANDARD SPECIFICATIONS. THE DRILLED HOLES FOR THE d(E) BARS SHALL BE 1/4" (7 mm) LARGER THAN THE DIAMETER OF THE BAR. THE COST OF THE EPOXY GROUTING AND DRILLING SHALL BE INCLUDED IN THE COST OF REINFORCEMENT BARS, EPOXY COATED.

REINFORCEMENT BARS SHALL CONFORM TO THE REQUIREMENTS OF AASHTO M31, M42 OR M53 GRADE 60.

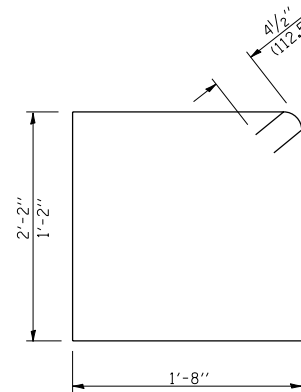
PLAN DIMENSIONS AND DETAILS RELATIVE TO THE EXISTING STRUCTURE HAVE BEEN TAKEN FROM EXISTING PLANS AND ARE SUBJECT TO NOMINAL CONSTRUCTION VARIATIONS. IT SHALL BE THE CONTRACTOR'S RESPONSIBILITY TO VERIFY SUCH DIMENSIONS AND DETAILS IN THE FIELD AND MAKE NECESSARY APPROVED ADJUSTMENTS PRIOR TO CONSTRUCTION OR ORDERING OF MATERIALS. SUCH VARIATIONS SHALL NOT BE CAUSE FOR ADDITIONAL COMPENSATION FOR A CHANGE IN THE SCOPE OF THE WORK. HOWEVER, THE CONTRACTOR WILL BE PAID FOR THE QUANTITY ACTUALLY FURNISHED AT THE UNIT PRICE FOR THE WORK.



BAR h(E)



BAR d(E)



BAR s(E)

DIMENSION TABLE

STRUCTURE	LOCATION	B	C	D	E	d (E) LENGTH	s (E) LENGTH	h (E) LENGTH
021-0024	RT PIER	9' - 1"	9' - 3"	2' - 6"	2' - 0"	2' - 7"	6' - 5"	8' - 9"
021-0024	LT PIER	9' - 1"	9' - 3"	2' - 6"	2' - 0"	2' - 7"	6' - 5"	8' - 9"
021-0024	CENTER PIER	9' - 0"	9' - 3"	3' - 6"	2' - 0"	3' - 7"	8' - 5"	8' - 8"

BILL OF MATERIALS

ITEM	UNIT	QUANTITY
CLASS SI CONCRETE	CU. YD. (m <sup>3</sup> )	12.6
REINFORCEMENT BARS, EPOXY COATED	LB. (kg)	1147.4

BAR TABLE

BAR	QTY.	SIZE	SHAPE
d(E)	192	#4(10)	
s(E)	87	#4(10)	
h(E)	63	#4(10)	

Note: All dimensions are in INCHES (millimeters) unless otherwise shown.

DATE	REVISIONS	NAME
11/06	REPLACED DETAIL F-3.01B	TJB

ILLINOIS DEPARTMENT OF TRANSPORTATION

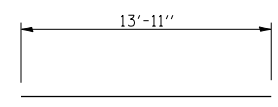
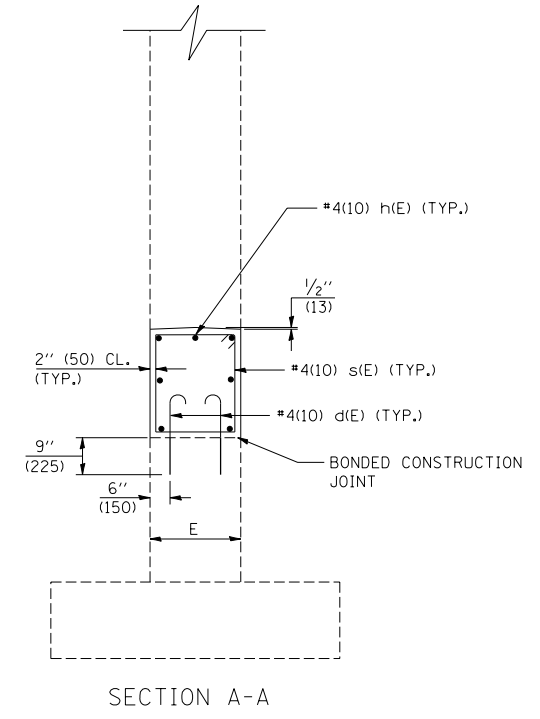
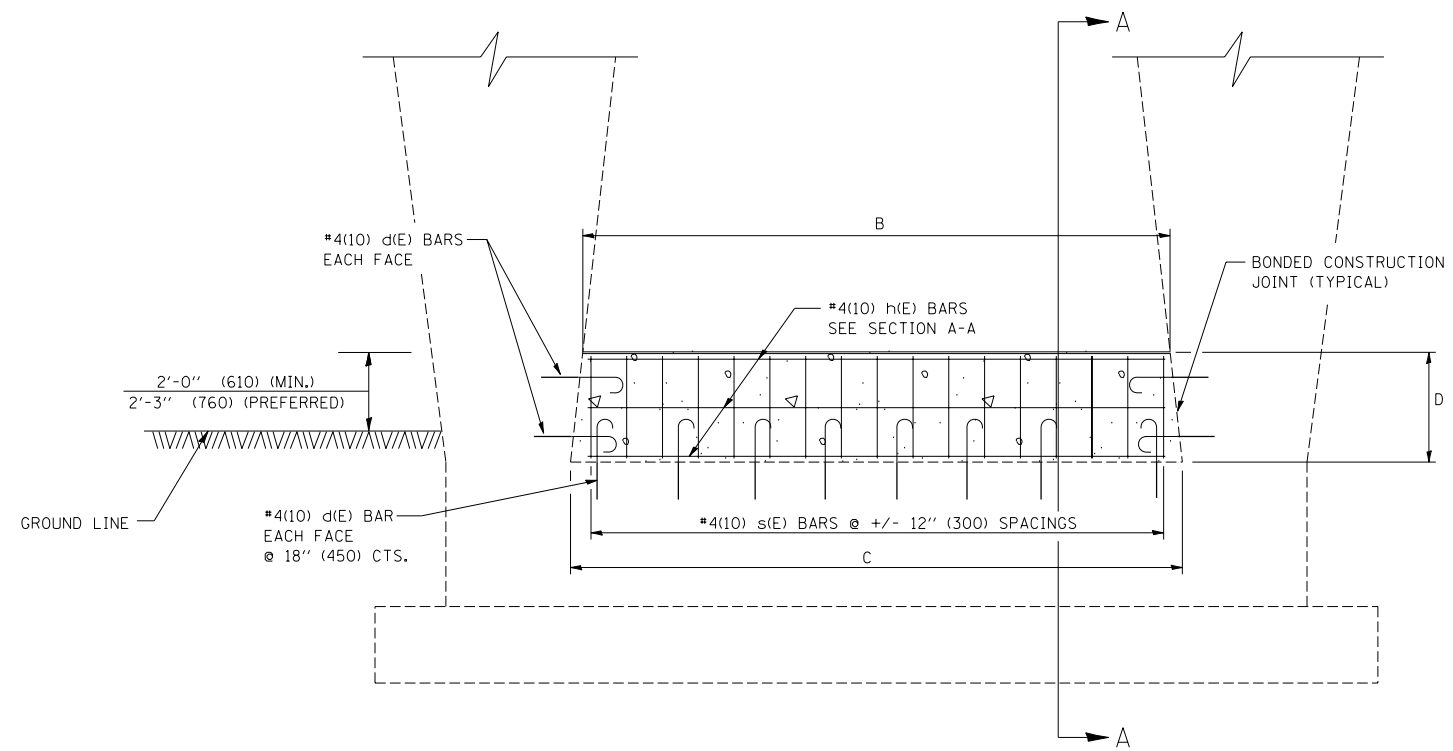
CRASHWALL EXTENSION  
(MULTIPLE COLUMN PIER)

**DISTRICT 5 DETAIL NO. XX002909C**

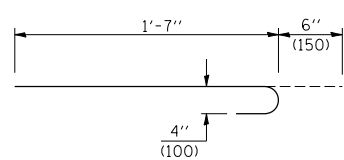
F.A.I. RTE.	SECTION	COUNTY	TOTAL SHEETS	SHEET NO.
57	.	..	153	51

• D5 SAFETY IMPROVEMENT 2007-2  
 •• CHAMPAIGN, COLES, & DOUGLAS

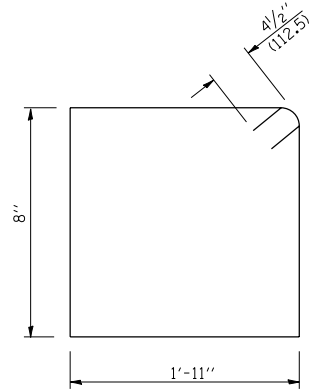
## DETAIL OF CRASHWALL EXTENSION S.N. 010-0145



BAR h(E)



BAR d(E)



BAR s(E)

DIMENSION TABLE

STRUCTURE	LOCATION	B	C	D	E	d (E) LENGTH	s (E) LENGTH	h (E) LENGTH
010-0045	RT PIER	14' - 3"	14' - 4"	1' - 6"	2" - 3"	2'-1"	5' - 11"	13' - 11"
010-0045	LT PIER	14' - 3"	14' - 4"	2' - 0"	2" - 3"	2'-1"	5' - 11"	13' - 11"
010-0045	CENTER PIER	14' - 3"	14' - 4"	1' - 0"	2" - 3"	2'-1"	5' - 11"	13' - 11"

BAR TABLE

BAR	QTY.	SIZE	SHAPE
d(E)	84	#4(10)	
s(E)	42	#4(10)	
h(E)	21	#4(10)	

BILL OF MATERIALS

ITEM	UNIT	QUANTITY
CLASS SI CONCRETE	CU. YD. (m <sup>3</sup> )	5.4
REINFORCEMENT BARS, EPOXY COATED	LB. (kg)	478.1

### GENERAL NOTES

CLASS SI CONCRETE SHALL BE USED THROUGHOUT.

EPOXY GROUTING SHALL BE DONE IN ACCORDANCE WITH ARTICLE 584 OF THE STANDARD SPECIFICATIONS. THE DRILLED HOLES FOR THE d(E) BARS SHALL BE 1/4" (7 mm) LARGER THAN THE DIAMETER OF THE BAR. THE COST OF THE EPOXY GROUTING AND DRILLING SHALL BE INCLUDED IN THE COST OF REINFORCEMENT BARS, EPOXY COATED.

REINFORCEMENT BARS SHALL CONFORM TO THE REQUIREMENTS OF AASHTO M31, M42 OR M53 GRADE 60.

PLAN DIMENSIONS AND DETAILS RELATIVE TO THE EXISTING STRUCTURE HAVE BEEN TAKEN FROM EXISTING PLANS AND ARE SUBJECT TO NOMINAL CONSTRUCTION VARIATIONS. IT SHALL BE THE CONTRACTOR'S RESPONSIBILITY TO VERIFY SUCH DIMENSIONS AND DETAILS IN THE FIELD AND MAKE NECESSARY APPROVED ADJUSTMENTS PRIOR TO CONSTRUCTION OR ORDERING OF MATERIALS. SUCH VARIATIONS SHALL NOT BE CAUSE FOR ADDITIONAL COMPENSATION FOR A CHANGE IN THE SCOPE OF THE WORK. HOWEVER, THE CONTRACTOR WILL BE PAID FOR THE QUANTITY ACTUALLY FURNISHED AT THE UNIT PRICE FOR THE WORK.

Note: All dimensions are in INCHES (millimeters) unless otherwise shown.

DATE	REVISIONS	NAME	ILLINOIS DEPARTMENT OF TRANSPORTATION
11/06	REPLACED DETAIL F-3.01A	TJB	

CRASHWALL EXTENSION  
 (TRAPEZOIDAL PIER)

**DISTRICT 5 DETAIL NO. XX002909B**

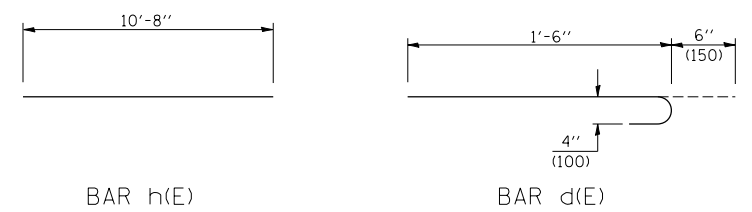
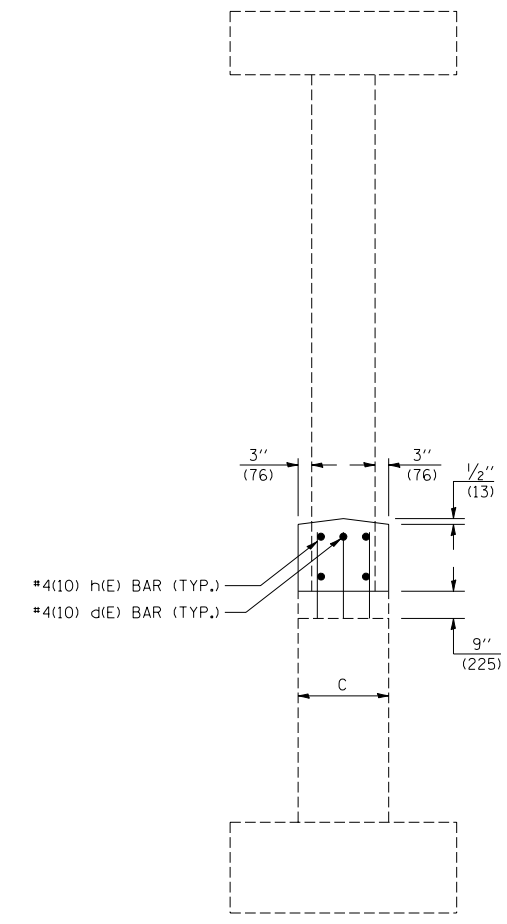
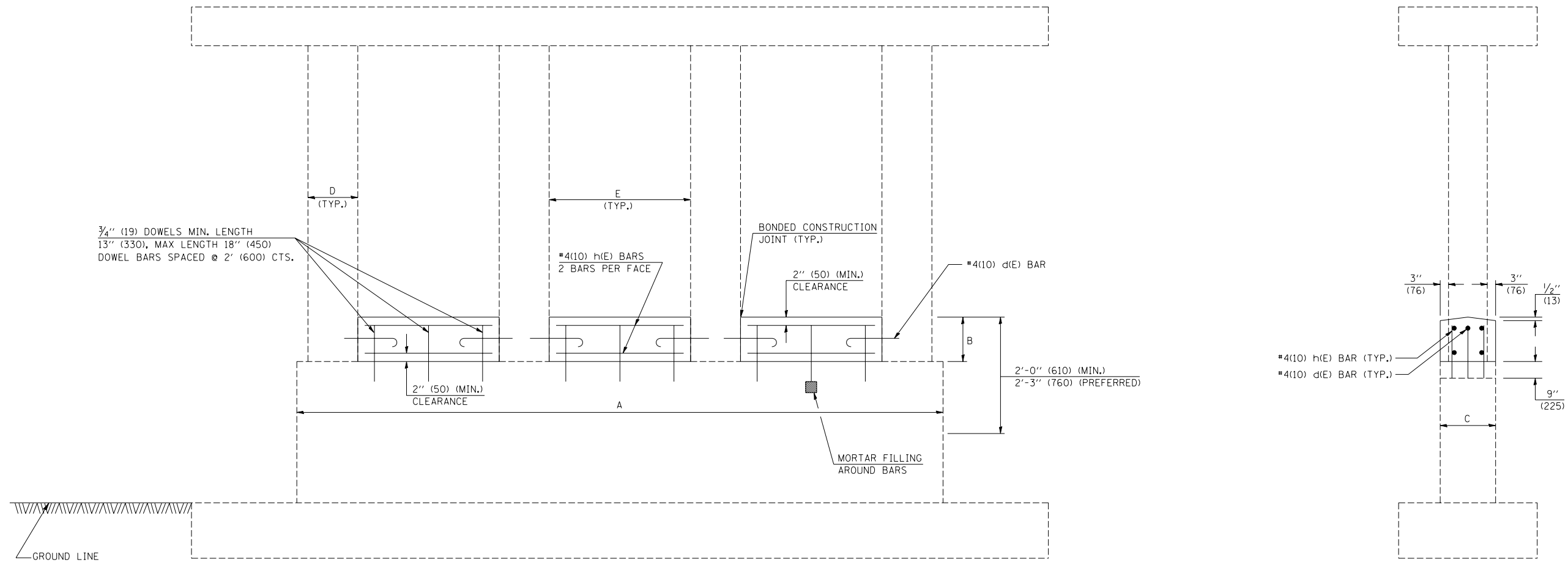
PLOT DATE = 3/30/2007  
 FILE NAME = c:\projects\0514406 (v8)\70628detail.dgn  
 PLOT SCALE = 4.23524 / IN.  
 USER NAME = piersonbr

F.A.I. RTE.	SECTION	COUNTY	TOTAL SHEETS	SHEET NO.
57	.	..	153	52

• D5 SAFETY IMPROVEMENT 2007-2  
 • CHAMPAIGN, COLES, & DOUGLAS

# DETAIL OF CRASHWALL EXTENSION

## S.N. 010-0100



### GENERAL NOTES

CLASS SI CONCRETE SHALL BE USED THROUGHOUT.

DOWEL BARS SHALL CONFORM TO STATE SPECIFICATIONS. THE DOWELS ARE TO BE PLACED IN THE CRASHWALL IN PREDRILLED HOLES AND MORTARED AS SHOWN IN THE DETAIL. THE DOWELS SHALL NOT BE PAID FOR SEPARATELY BUT SHALL BE CONSIDERED INCIDENTAL TO THE CONTRACT UNIT PRICE PER CUBIC YARD FOR CLASS SI CONCRETE WHICH PRICE SHALL INCLUDE THE MATERIALS AND LABOR REQUIRED FOR THE INSTALLATION OF THE DOWELS.

DRILLED HOLES FOR DOWEL BARS SHALL BE NOMINAL 1" (25 mm) DIAMETER.

ALL DOWEL BARS SHALL BE EPOXY COATED.

REINFORCEMENT BARS SHALL CONFORM TO THE REQUIREMENTS OF AASHTO W31, M42 OR M53 GRADE 60.

PLAN DIMENSIONS AND DETAILS RELATIVE TO EXISTING STRUCTURE HAVE BEEN TAKEN FROM EXISTING PLANS AND ARE SUBJECT TO NOMINAL CONSTRUCTION VARIATIONS. IT SHALL BE THE CONTRACTOR'S RESPONSIBILITY TO VERIFY SUCH DIMENSIONS AND DETAILS IN THE FIELD AND MAKE NECESSARY APPROVED ADJUSTMENTS PRIOR TO CONSTRUCTION OR ORDERING OF MATERIALS. SUCH VARIATIONS SHALL NOT BE CAUSE FOR ADDITIONAL COMPENSATION FOR A CHANGE IN THE SCOPE OF THE WORK. HOWEVER, THE CONTRACTOR WILL BE PAID FOR THE QUANTITY ACTUALLY FURNISHED AT THE UNIT PRICE FOR THE WORK.

DIMENSION TABLE

STRUCTURE	LOCATION	A	B	C	D	E	d (E) LENGTH	h (E) LENGTH
010-0100	RT PIER	41' - 6"	2' - 3"	2' - 6"	2' - 0"	11' - 0"	2' - 0"	10' - 8"
010-0110	LT PIER	41' - 6"	2' - 6"	2' - 6"	2' - 0"	11' - 0"	2' - 0"	10' - 8"

BAR TABLE

BAR	QTY.	SIZE	SHAPE
d(E)	12	#4 (10)	U
h(E)	24	#4 (10)	—

BILL OF MATERIALS

ITEM	UNIT	QUANTITY
CLASS SI CONCRETE	CU. YD. (m <sup>3</sup> )	14.5
REINFORCEMENT BARS, EPOXY COATED	LB. (kg)	187.0

Note: All dimensions are in INCHES (millimeters) unless otherwise shown.

DATE	REVISIONS	NAME
11/06	REPLACED DETAIL F-3.01	TJB

ILLINOIS DEPARTMENT OF TRANSPORTATION

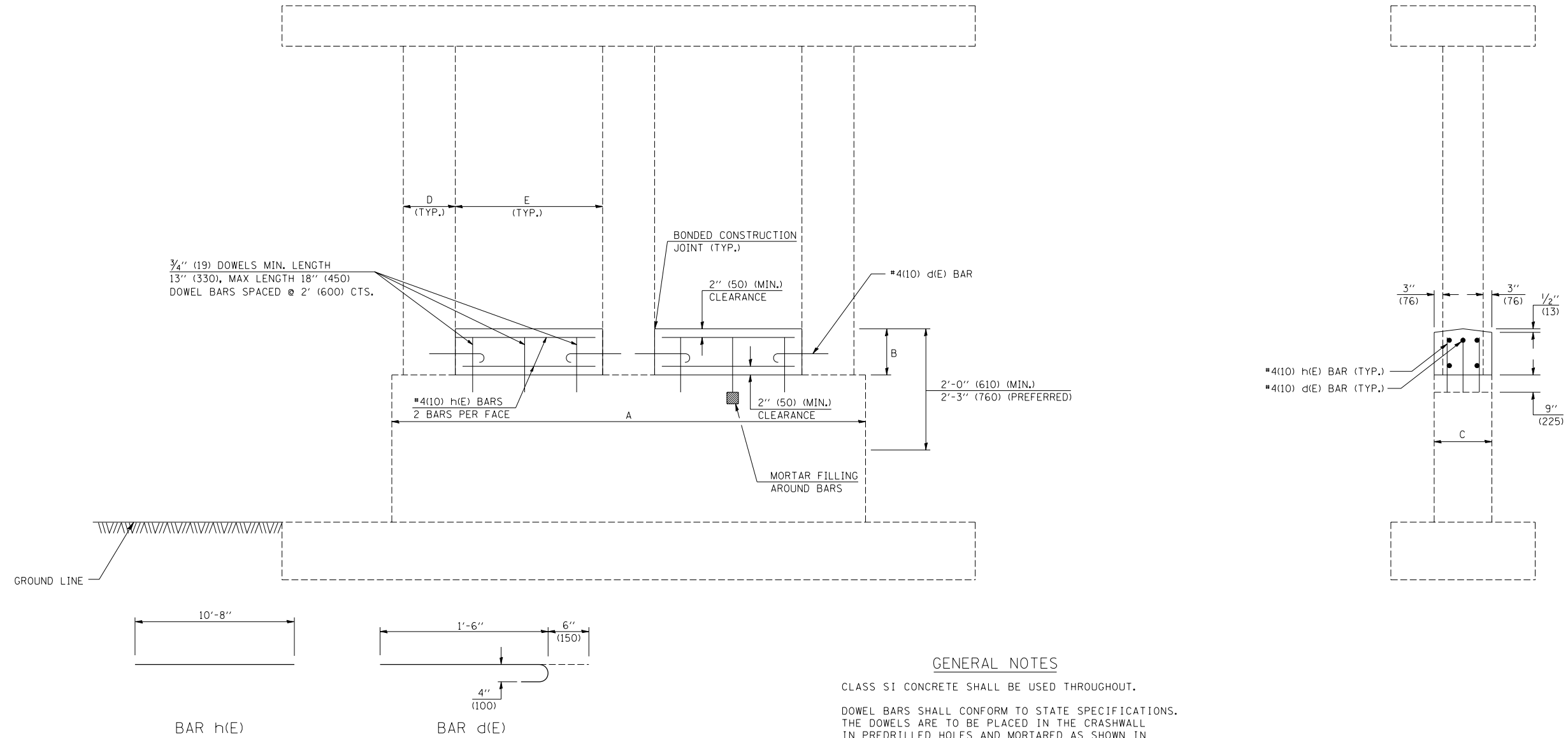
## CRASHWALL EXTENSION (FOUR CIRCULAR COLUMN PIER)

F.A.I. RTE.	SECTION	COUNTY	TOTAL SHEETS	SHEET NO.
57	.	..	153	53

• D5 SAFETY IMPROVEMENT 2007-2  
 •• CHAMPAIGN, COLES, & DOUGLAS

# DETAIL OF CRASHWALL EXTENSION

## S.N. 010-0185



### GENERAL NOTES

CLASS SI CONCRETE SHALL BE USED THROUGHOUT.

DOWEL BARS SHALL CONFORM TO STATE SPECIFICATIONS. THE DOWELS ARE TO BE PLACED IN THE CRASHWALL IN PREDRILLED HOLES AND MORTARED AS SHOWN IN THE DETAIL. THE DOWELS SHALL NOT BE PAID FOR SEPARATELY BUT SHALL BE CONSIDERED INCIDENTAL TO THE CONTRACT UNIT PRICE PER CUBIC YARD FOR CLASS SI CONCRETE WHICH PRICE SHALL INCLUDE THE MATERIALS AND LABOR REQUIRED FOR THE INSTALLATION OF THE DOWELS.

DRILLED HOLES FOR DOWEL BARS SHALL BE NOMINAL 1" (25 mm) DIAMETER.

ALL DOWEL BARS SHALL BE EPOXY COATED.

REINFORCEMENT BARS SHALL CONFORM TO THE REQUIREMENTS OF AASHTO W31, M42 OR M53 GRADE 60.

PLAN DIMENSIONS AND DETAILS RELATIVE TO EXISTING STRUCTURE HAVE BEEN TAKEN FROM EXISTING PLANS AND ARE SUBJECT TO NOMINAL CONSTRUCTION VARIATIONS. IT SHALL BE THE CONTRACTOR'S RESPONSIBILITY TO VERIFY SUCH DIMENSIONS AND DETAILS IN THE FIELD AND MAKE NECESSARY APPROVED ADJUSTMENTS PRIOR TO CONSTRUCTION OR ORDERING OF MATERIALS. SUCH VARIATIONS SHALL NOT BE CAUSE FOR ADDITIONAL COMPENSATION FOR A CHANGE IN THE SCOPE OF THE WORK. HOWEVER, THE CONTRACTOR WILL BE PAID FOR THE QUANTITY ACTUALLY FURNISHED AT THE UNIT PRICE FOR THE WORK.

Note: All dimensions are in INCHES (millimeters) unless otherwise shown.

DIMENSION TABLE

STRUCTURE	LOCATION	A	B	C	D	E	d (E) LENGTH	h (E) LENGTH
010-0185	RT PIER	28'-6"	1'-9"	2'-6"	2'-0"	11'-0"	2'-0"	10'-8"
010-0185	LT PIER	28'-6"	2'-3"	2'-6"	2'-0"	11'-0"	2'-0"	10'-8"

BAR TABLE

BAR	QTY.	SIZE	SHAPE
d(E)	8	#4 (10)	U
h(E)	16	#4 (10)	—

BILL OF MATERIALS

ITEM	UNIT	QUANTITY
CLASS SI CONCRETE	CU. YD. (m <sup>3</sup> )	8.2
REINFORCEMENT BARS, EPOXY COATED	LB. (kg)	124.7

DATE	REVISIONS	NAME
11/06	REPLACED DETAIL F-3.01	TJB

ILLINOIS DEPARTMENT OF TRANSPORTATION

CRASHWALL EXTENSION  
(THREE CIRCULAR COLUMN PIER)

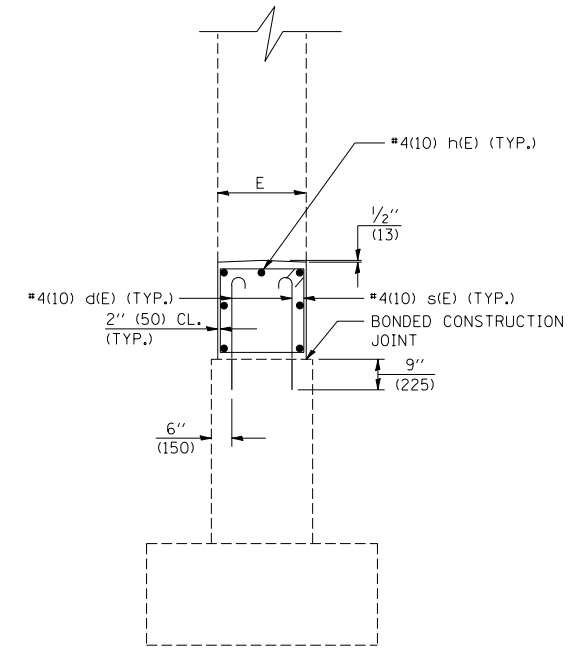
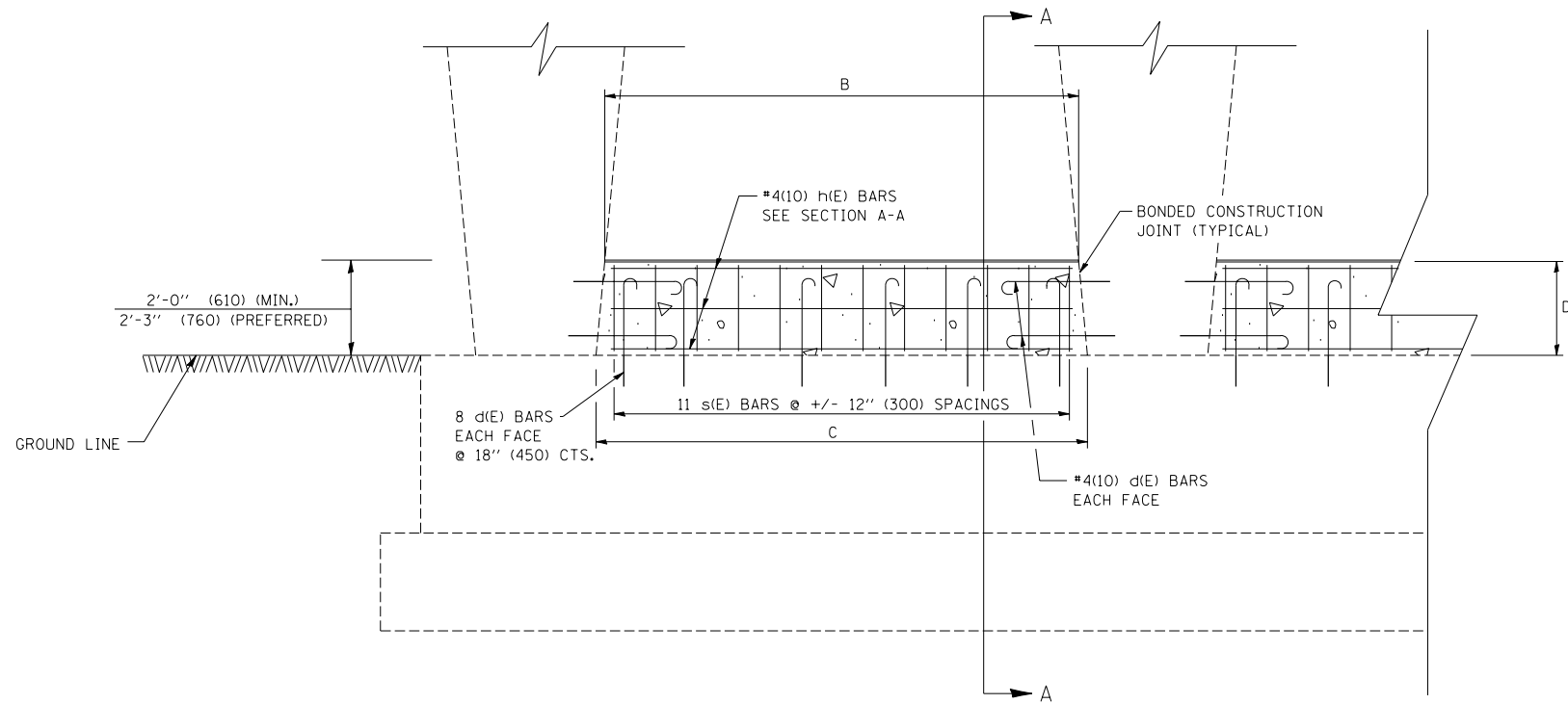
PLOT DATE = 3/20/2007  
 FILE NAME = c:\projects\0514406 (v8)\70628detail.dgn  
 PLOT SCALE = 4.23524 / IN.  
 USER NAME = pieronbr

F.A.I. RTE.	SECTION	COUNTY	TOTAL SHEETS	SHEET NO.
57	.	..	153	54

- D5 SAFETY IMPROVEMENT 2007-2
- CHAMPAIGN, COLES, & DOUGLAS

# DETAIL OF CRASHWALL EXTENSION

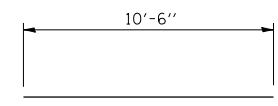
## S.N. 010-0172



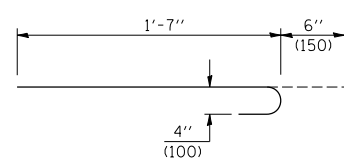
SECTION A-A

### GENERAL NOTES

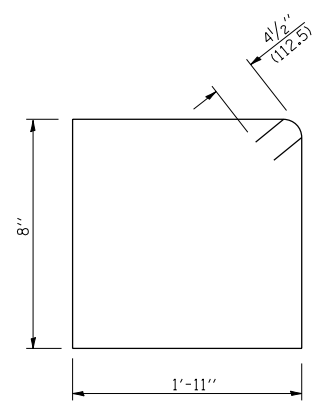
- CLASS SI CONCRETE SHALL BE USED THROUGHOUT.
- EPOXY GROUTING SHALL BE DONE IN ACCORDANCE WITH ARTICLE 584 OF THE STANDARD SPECIFICATIONS. THE DRILLED HOLES FOR THE d(E) BARS SHALL BE 1/4" (7 mm) LARGER THAN THE DIAMETER OF THE BAR. THE COST OF THE EPOXY GROUTING AND DRILLING SHALL BE INCLUDED IN THE COST OF REINFORCEMENT BARS, EPOXY COATED.
- REINFORCEMENT BARS SHALL CONFORM TO THE REQUIREMENTS OF AASHTO M31, M42 OR M53 GRADE 60.
- PLAN DIMENSIONS AND DETAILS RELATIVE TO THE EXISTING STRUCTURE HAVE BEEN TAKEN FROM EXISTING PLANS AND ARE SUBJECT TO NOMINAL CONSTRUCTION VARIATIONS. IT SHALL BE THE CONTRACTOR'S RESPONSIBILITY TO VERIFY SUCH DIMENSIONS AND DETAILS IN THE FIELD AND MAKE NECESSARY APPROVED ADJUSTMENTS PRIOR TO CONSTRUCTION OR ORDERING OF MATERIALS. SUCH VARIATIONS SHALL NOT BE CAUSE FOR ADDITIONAL COMPENSATION FOR A CHANGE IN THE SCOPE OF THE WORK. HOWEVER, THE CONTRACTOR WILL BE PAID FOR THE QUANTITY ACTUALLY FURNISHED AT THE UNIT PRICE FOR THE WORK.



BAR h(E)



BAR d(E)



BAR s(E)

DIMENSION TABLE

STRUCTURE	LOCATION	B	C	D	E	d (E) LENGTH	s (E) LENGTH	h (E) LENGTH
010-0172	RT PIER	10' - 10"	11' - 0"	1' - 6"	2' - 3'	2' - 1"	5' - 11"	10' - 6"
010-0172	LT PIER	10' - 10"	11' - 0"	1' - 6"	2' - 3'	2' - 1"	5' - 11"	10' - 6"

BAR TABLE

BAR	QTY.	SIZE	SHAPE
d(E)	96	#4(10)	
s(E)	44	#4(10)	
h(E)	28	#4(10)	

BILL OF MATERIALS

ITEM	UNIT	QUANTITY
CLASS SI CONCRETE	CU. YD. (m <sup>3</sup> )	5.5
REINFORCEMENT BARS, EPOXY COATED	LB. (kg)	503.9

Note: All dimensions are in INCHES (millimeters) unless otherwise shown.

DATE	REVISIONS	NAME
11/06	REPLACED DETAIL F-3.01B	TJB

ILLINOIS DEPARTMENT OF TRANSPORTATION

CRASHWALL EXTENSION  
(MULTIPLE COLUMN PIER)

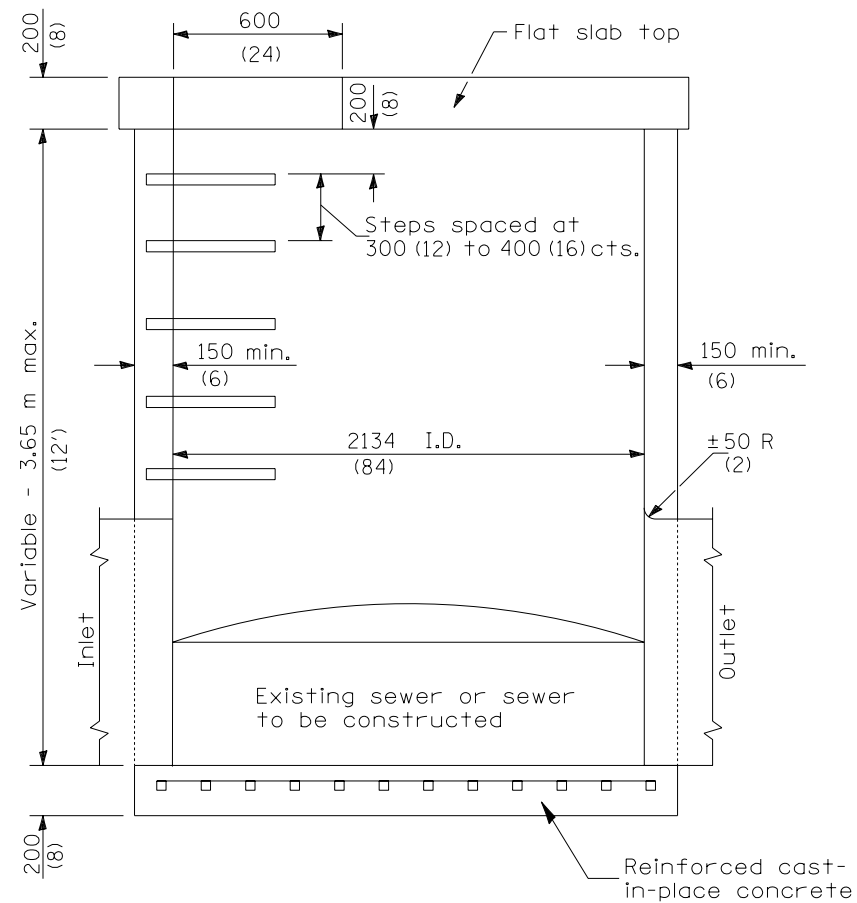
DISTRICT 5 DETAIL NO. XX002909C

PLOT DATE = 3/20/2007  
 FILE NAME = c:\projects\0514406 (v8)\70628detail.dgn  
 PLOT SCALE = 4.2352e-1 / IN.  
 USER NAME = piersonb

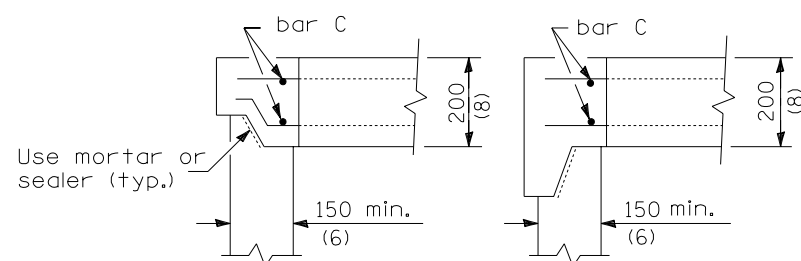
F.A.I. RTE.	SECTION	COUNTY	TOTAL SHEETS	SHEET NO.
57	•	••	153	55

STA.	TO STA.
FED. ROAD DIST. NO.	ILLINOIS FED. AID PROJECT
• D5 SAFETY IMPROVEMENT 2007-2	
•• CHAMPAIGN, COLES, & DOUGLAS	

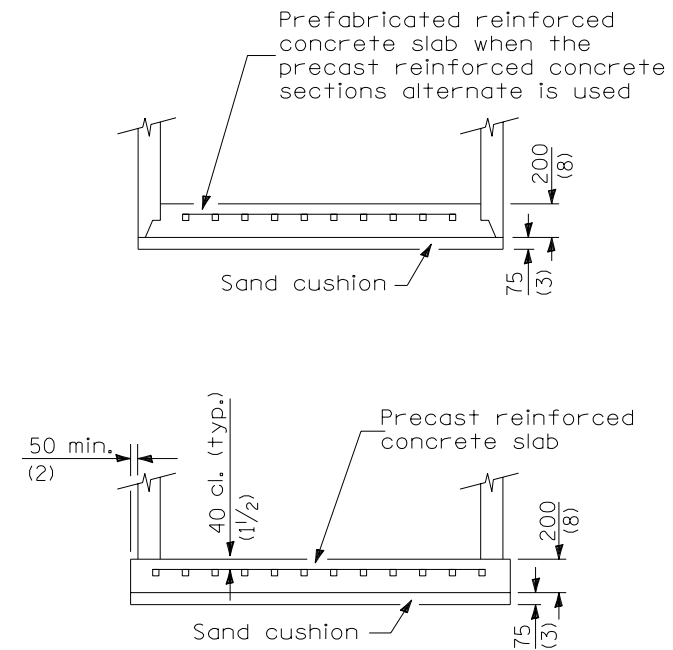
## DETAIL OF RESTRICTED DEPTH MANHOLE 7' DIAMETER, TYPE 1 FRAME, CLOSED LID



ELEVATION



ALTERNATE JOINT CONFIGURATIONS



ALTERNATE BOTTOM SLAB

ALTERNATE MATERIALS FOR WALLS	T (min)
Concrete Masonry Units	125 (5)
Precast Reinforced Concrete Sections	100 (4)
Cast-in-Place Concrete	150 (6)

### GENERAL NOTES

Depth of manhole shall be verified in the field by the Engineer.

Joint configuration and dimensions of flat slab top shall match and fit the riser joint detail.

Lifting devices shall be approved by the Engineer.

See Standard 602701 for details of cast iron steps.

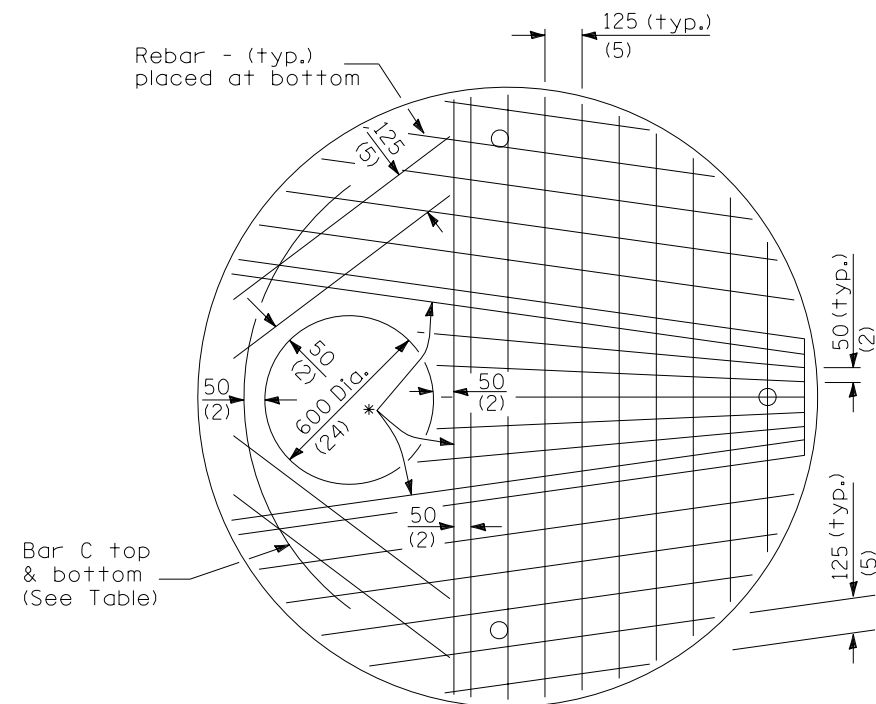
All dimensions are in millimeters (inches) unless otherwise shown.

PLOT DATE = 3/30/2007  
 FILE NAME = c:\projects\70628\70628derails.dgn  
 PLOT SCALE = 42.3523 / IN.  
 USER NAME = pier-sonbr

ILLINOIS DEPARTMENT OF TRANSPORTATION  
**DETAIL OF RESTRICTED DEPTH  
 MANHOLE CLOSED LID**  
 F.A.I. ROUTE 57 (I-57)  
 SECTION 07SAFETY  
 DOUGLAS AND CHAMPAIGN COUNTIES  
 SCALE: NOT TO SCALE DRAWN BY: B.B.P.  
 DATE: 03/21/07 CHECKED BY: M.L.B.

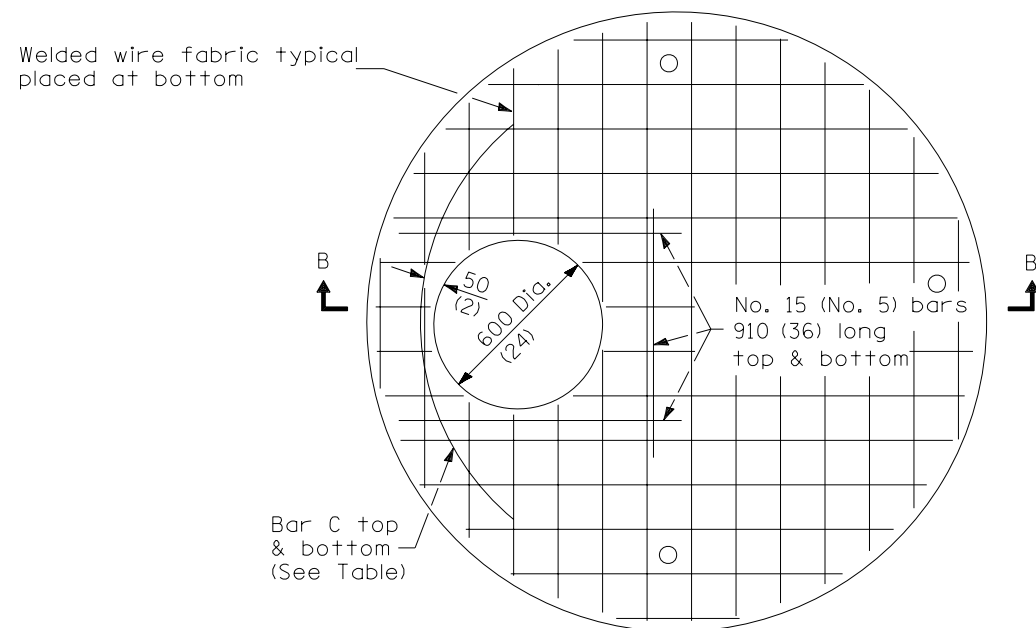
F.A.I. RTE.	SECTION	COUNTY	TOTAL SHEETS	SHEET NO.
57	•	••	153	56
STA.		TO STA.		
FED. ROAD DIST. NO.	ILLINOIS	FED. AID PROJECT		
• D5 SAFETY IMPROVEMENT 2007-2				
•• CHAMPAIGN, COLES, & DOUGLAS				

## DETAIL OF RESTRICTED DEPTH MANHOLE 7' DIAMETER, TYPE 1 FRAME, CLOSED LID



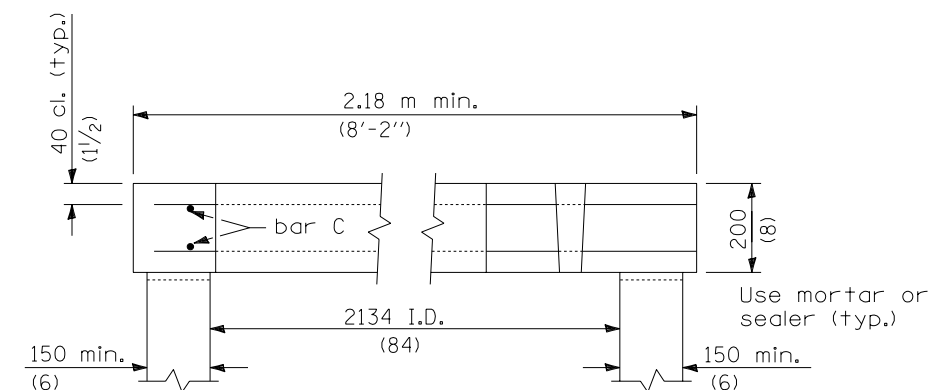
PLAN  
Showing Rebar Reinforcement

\* No. 20 (No. 6) bars top & bottom



PLAN  
Showing Welded Wire Fabric Reinforcement

Diameter of opening	Thickness	Reinforcement "As" WWF Each direction	Bar Size	No. 15 (No. 4) Bar C	
				Length	Radius
600 (24)	200 (8)	2244 mm <sup>2</sup> /m (1.06) sq. in./ft.	No. 20 (No. 6)	1.83 m (6'-0")	965 (44)



SECTION B-B

All dimensions are in millimeters (inches) unless otherwise shown.

ILLINOIS DEPARTMENT OF TRANSPORTATION  
**DETAIL OF RESTRICTED DEPTH  
MANHOLE CLOSED LID**  
F.A.I. ROUTE 57 (I-57)  
SECTION 07SAFETY  
CHAMPAIGN, COLES & DOUGLAS COUNTIES  
SCALE: NOT TO SCALE  
DATE: 03/21/07

DRAWN BY: B.B.P.  
CHECKED BY: M.L.B.

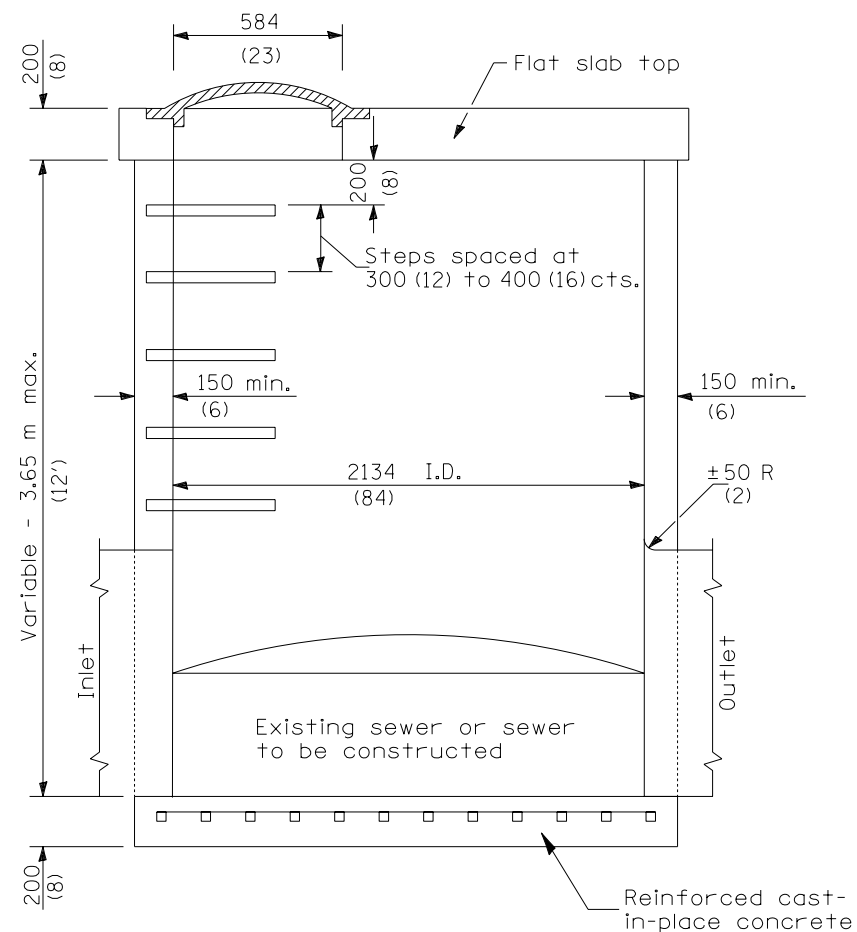


F.A.I. RTE.	SECTION	COUNTY	TOTAL SHEETS	SHEET NO.
57	•	••	153	57

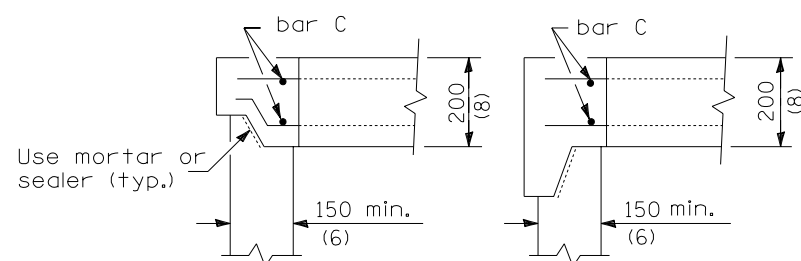
STA.	TO STA.
FED. ROAD DIST. NO.	ILLINOIS FED. AID PROJECT

- D5 SAFETY IMPROVEMENT 2007-2
- CHAMPAIGN, COLES, & DOUGLAS

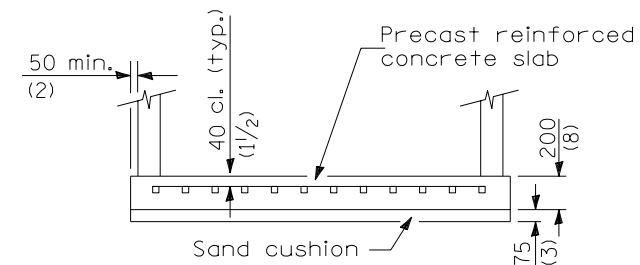
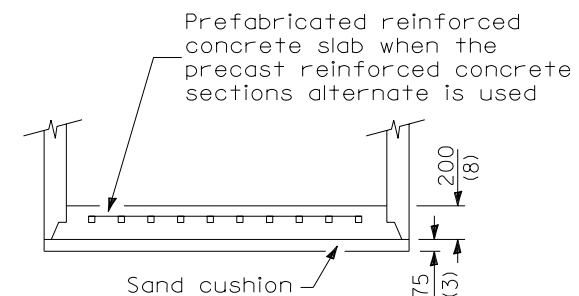
## DETAIL OF RESTRICTED DEPTH MANHOLE 7' DIAMETER, TYPE 8 GRATE



ELEVATION



ALTERNATE JOINT CONFIGURATIONS



ALTERNATE BOTTOM SLAB

ALTERNATE MATERIALS FOR WALLS	T (min)
Concrete Masonry Units	125 (5)
Precast Reinforced Concrete Sections	100 (4)
Cast-in-Place Concrete	150 (6)

### GENERAL NOTES

Depth of manhole shall be verified in the field by the Engineer.

Joint configuration and dimensions of flat slab top shall match and fit the riser joint detail.

Lifting devices shall be approved by the Engineer.

See Standard 602701 for details of cast iron steps.

All dimensions are in millimeters (inches) unless otherwise shown.

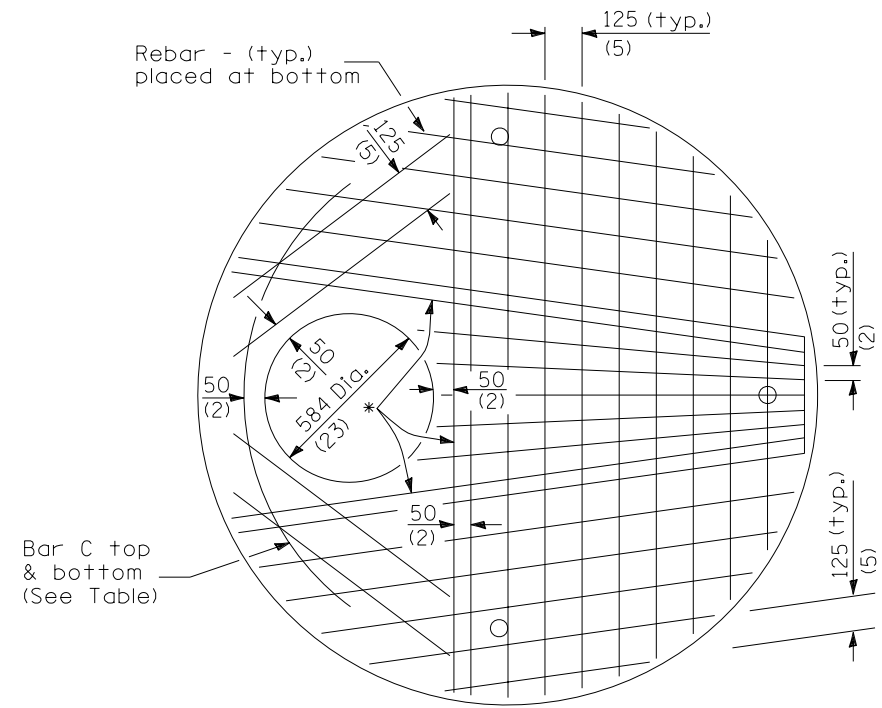
PLOT DATE = 3/30/2007  
 FILE NAME = c:\projects\70628\70628derails.dgn  
 PLOT SCALE = 42.3523 / IN.  
 USER NAME = pier-sonbr

ILLINOIS DEPARTMENT OF TRANSPORTATION  
**DETAIL OF RESTRICTED DEPTH  
 MANHOLE TYPE 8 GRATE**  
 F.A.I. ROUTE 57 (I-57)  
 SECTION 07SAFETY  
 CHAMPAIGN, COLES & DOUGLAS COUNTIES  
 SCALE: NOT TO SCALE  
 DATE: 03/21/07

DRAWN BY: B.B.P.  
 CHECKED BY: M.L.B.

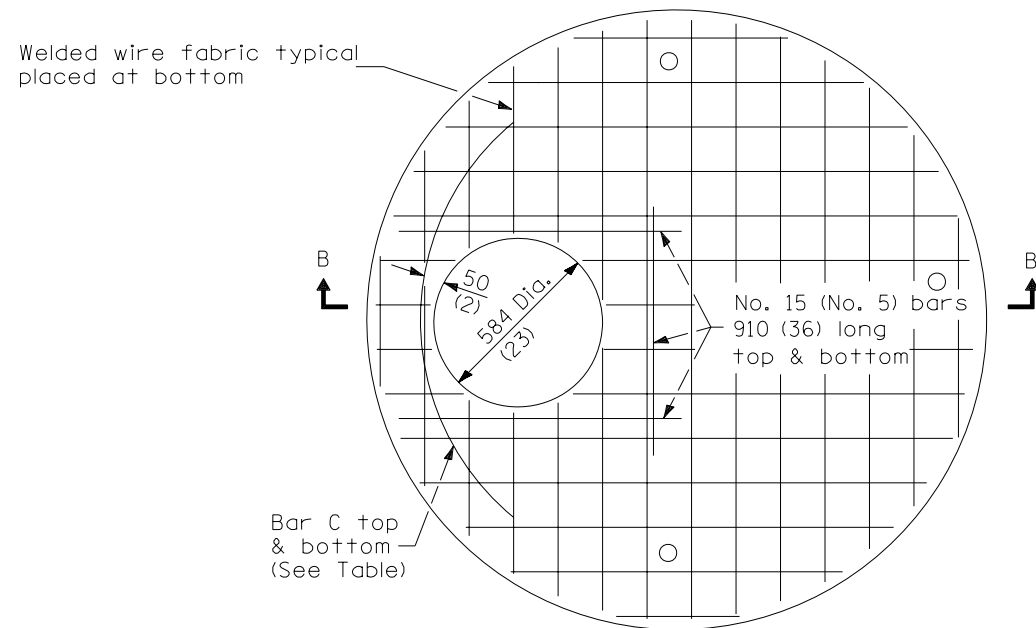
F.A.I. RTE.	SECTION	COUNTY	TOTAL SHEETS	SHEET NO.
57	.	..	153	58
STA.		TO STA.		
FED. ROAD DIST. NO.	ILLINOIS	FED. AID PROJECT		
• D5 SAFETY IMPROVEMENT 2007-2 •• CHAMPAIGN, COLES, & DOUGLAS				

## DETAIL OF RESTRICTED DEPTH MANHOLE 7' DIAMETER, TYPE 8 GRATE



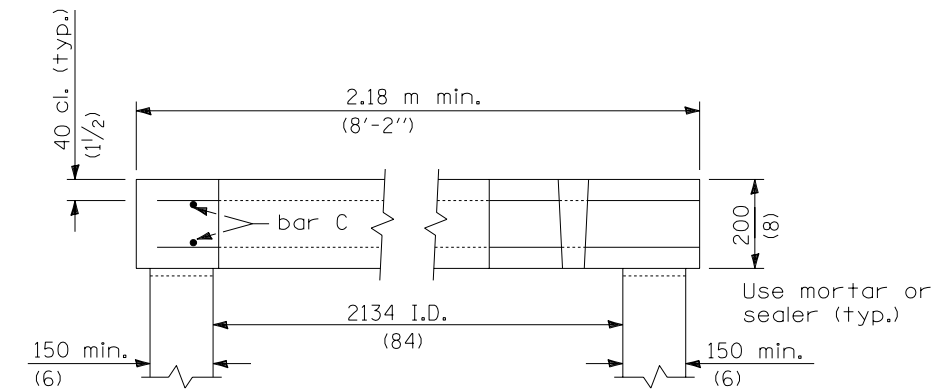
**PLAN**  
Showing Rebar Reinforcement

\* No. 20 (No. 6) bars top & bottom



**PLAN**  
Showing Welded Wire Fabric Reinforcement

Diameter of opening	Thickness	Reinforcement "As" WWF Each direction	Bar Size	No. 15 (No. 4) Bar C	
				Length	Radius
584 (23)	200 (8)	2244 mm <sup>2</sup> /m (1.06) sq. in./ft.	No. 20 (No. 6)	1.83 m (6'-0")	965 (44)



**SECTION B-B**

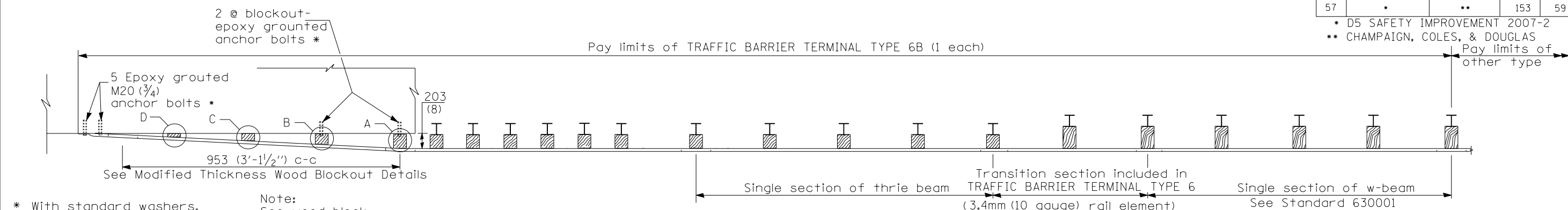
All dimensions are in millimeters (inches) unless otherwise shown.

ILLINOIS DEPARTMENT OF TRANSPORTATION  
**DETAIL OF RESTRICTED DEPTH  
 MANHOLE TYPE 8 GRATE**  
 F.A.I. ROUTE 57 (I-57)  
 SECTION 07SAFETY  
 CHAMPAIGN, COLES & DOUGLAS COUNTIES  
 SCALE: NOT TO SCALE DRAWN BY: B.B.P.  
 DATE: 03/21/07 CHECKED BY: M.L.B.

PLOT DATE = 3/30/2007  
 FILE NAME = c:\projects\ds14406\18\70628derails.dgn  
 PLOT SCALE = 42.3523 / IN.  
 USER NAME = pier-sonbr

F.A.I. RTE.	SECTION	COUNTY	TOTAL SHEETS	SHEET NO.
57	*	**	153	59

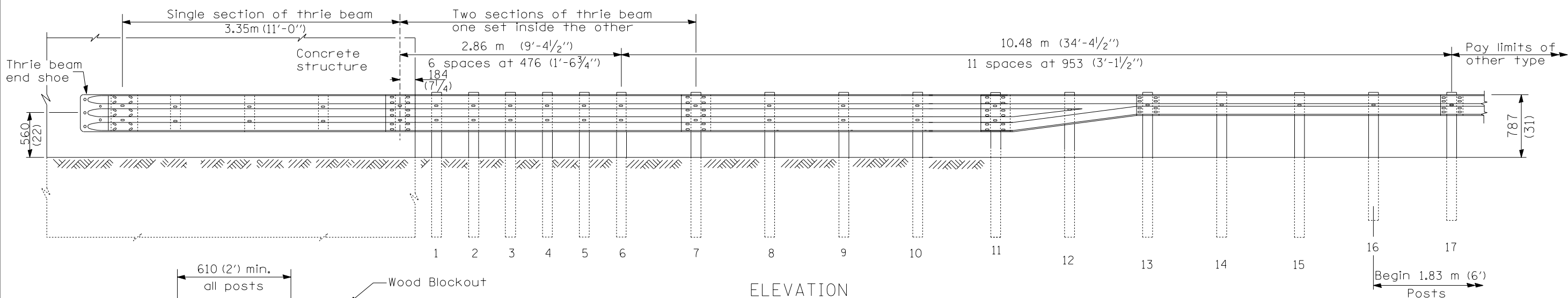
\* D5 SAFETY IMPROVEMENT 2007-2  
 \*\* CHAMPAIGN, COLES, & DOUGLAS



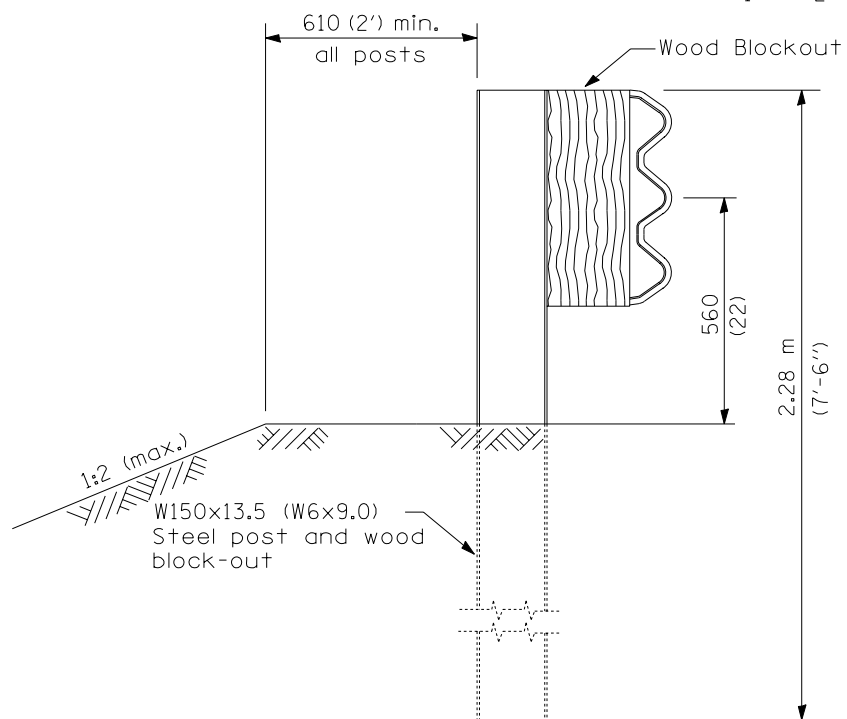
\* With standard washers. After tightening, cut the anchor bolts flush with nuts, and damage the nut to prevent it from loosening.

Note: See wood block details A, B, C. & D

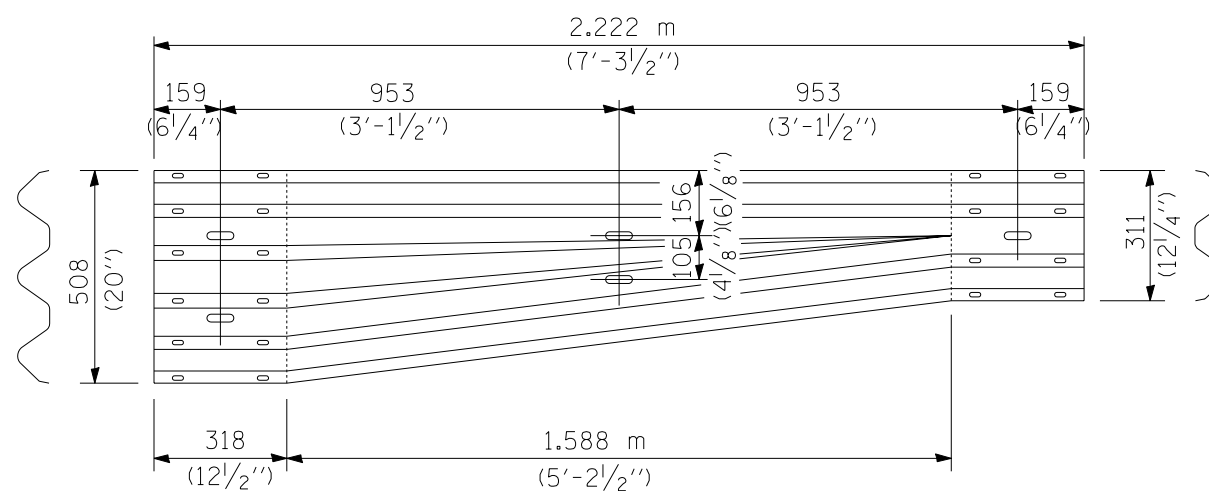
PLAN



ELEVATION



SECTION A-A



TRANSITION SECTION

GENERAL NOTES

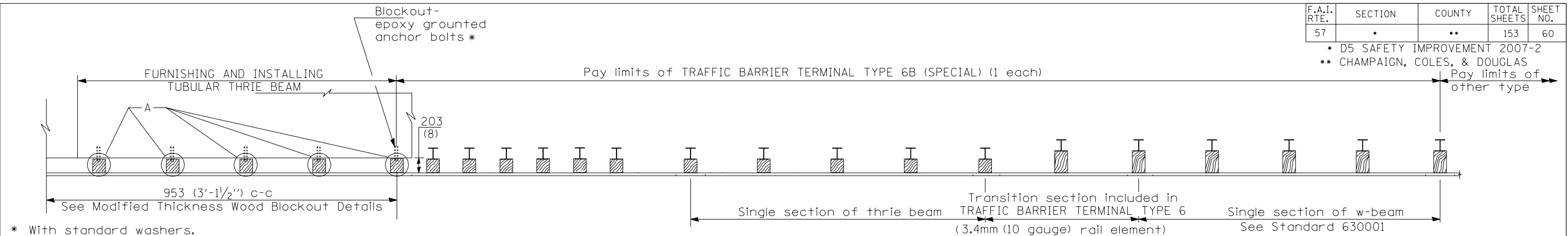
- See Standard 630001 for details of guardrail not shown.
- Thrie beam rail shall be bolted to block-out at all posts.
- All slope ratios are expressed as units of vertical displacement to units of horizontal displacement (V:H).
- All dimensions are in millimeters (inches) unless otherwise shown.
- Refer to Standard 631033 for details and dimensions not shown.

TRAFFIC BARRIER  
 TERMINAL, TYPE 6B

F.A.I. RTE.	SECTION	COUNTY	TOTAL SHEETS	SHEET NO.
57	*	**	153	60

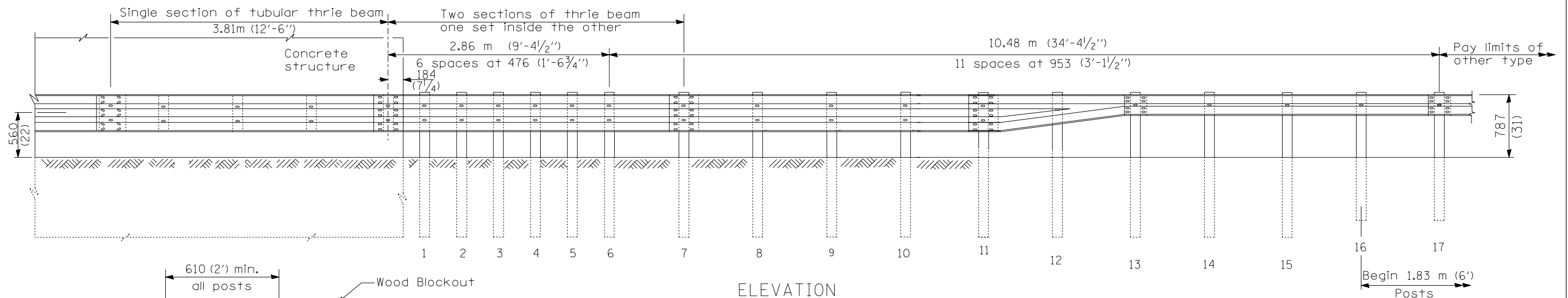
\* D5 SAFETY IMPROVEMENT 2007-2  
 \*\* CHAMPAIGN, COLES, & DOUGLAS

Pay limits of other type

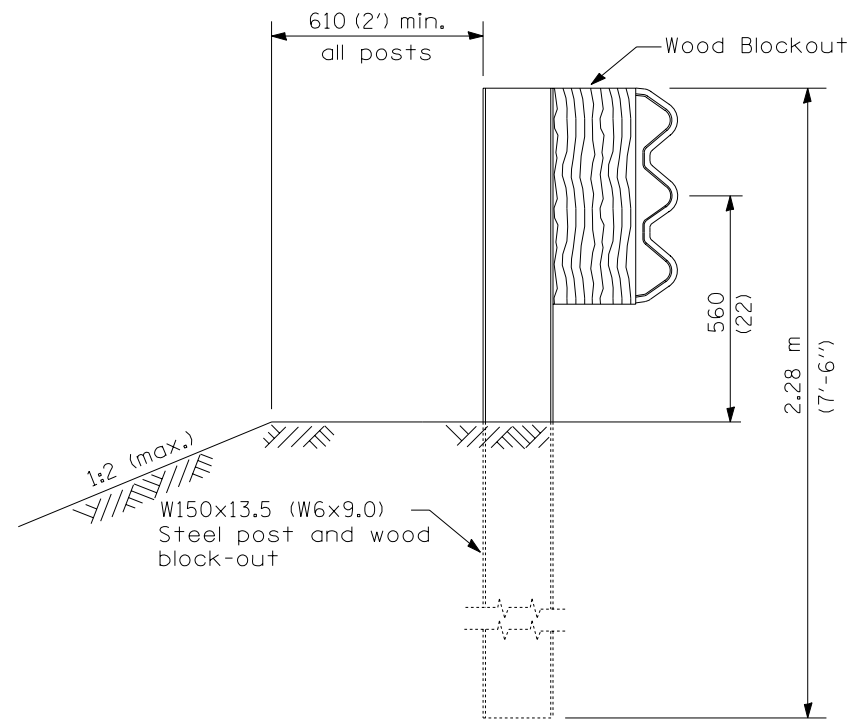


\* With standard washers. After tightening, cut the anchor bolts flush with nuts, and damage the nut to prevent it from loosening.

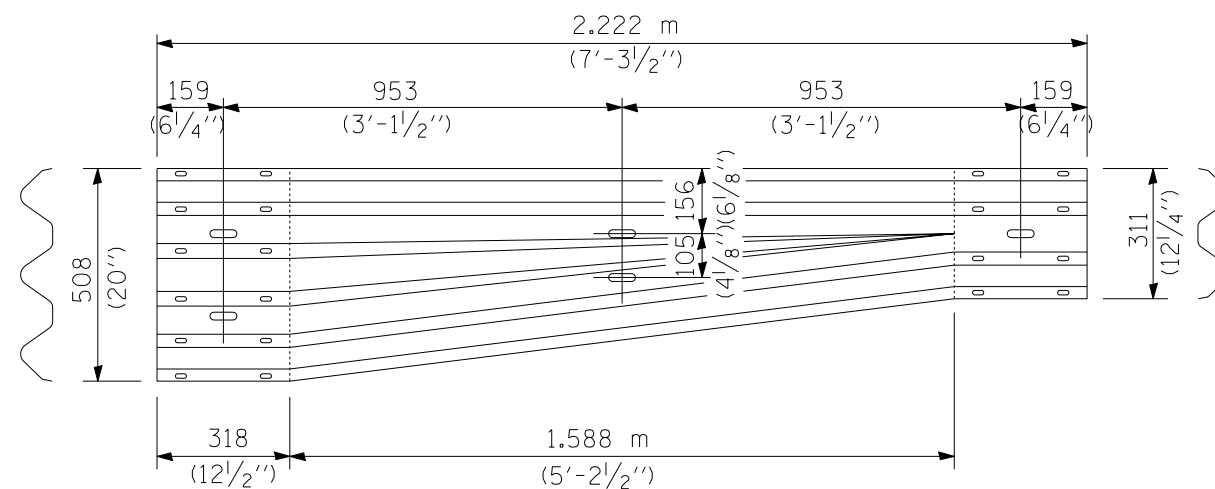
PLAN



ELEVATION



SECTION A-A



TRANSITION SECTION

GENERAL NOTES

See Standard 630001 for details of guardrail not shown.

Thrie beam rail shall be bolted to block-out at all posts.

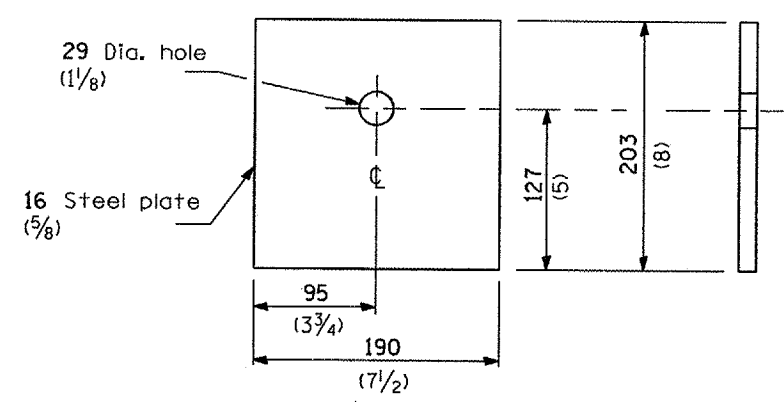
All slope ratios are expressed as units of vertical displacement to units of horizontal displacement (V:H).

All dimensions are in millimeters (inches) unless otherwise shown.

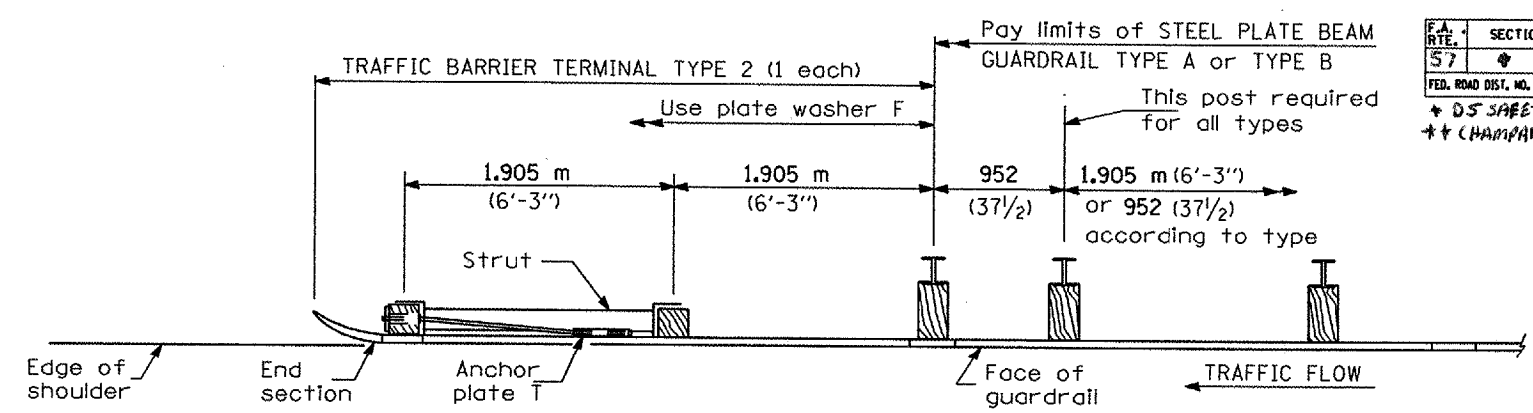
Refer to Standard 631033 for details and dimensions not shown.

TRAFFIC BARRIER TERMINAL, TYPE 6B (SPECIAL)

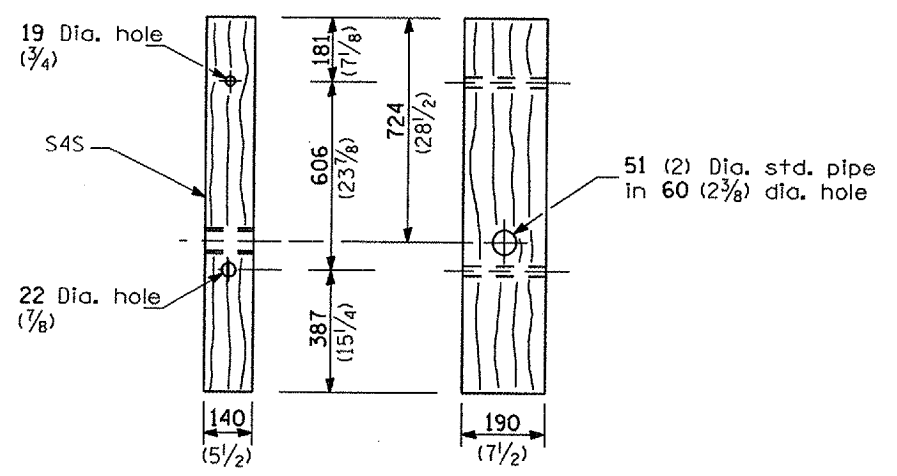
F.A. RTE.	SECTION	COUNTY	TOTAL SHEETS	SHEET NO.
57	*	**		60A
FED. ROAD DIST. NO. ILLINOIS FED. AID PROJECT				
* DS SAFETY IMPROVEMENT 2007-2				
** CHAMPAIGN, COLES, & DOUGLAS				



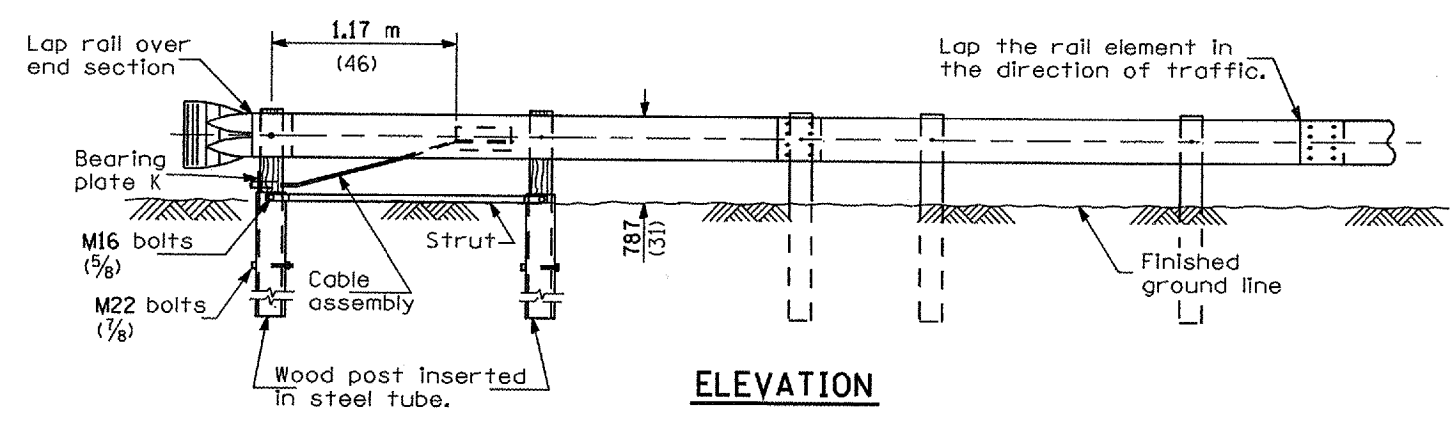
**BEARING PLATE K**



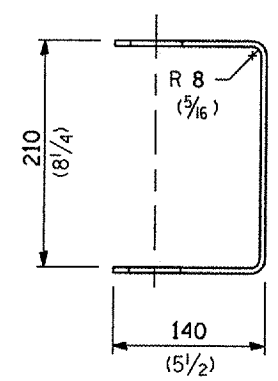
**PLAN**



**WOOD POST**

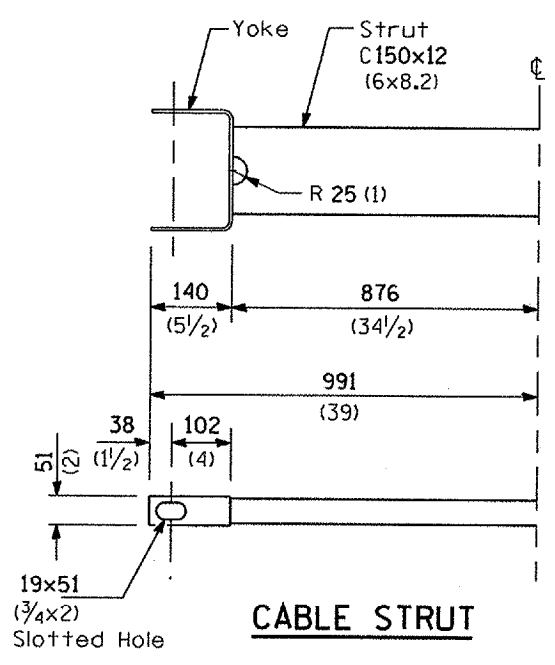


**ELEVATION**

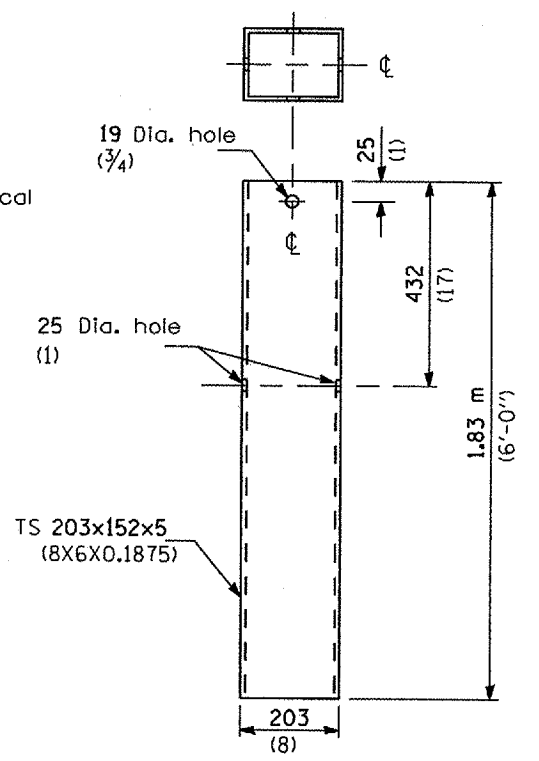


**YOKE**

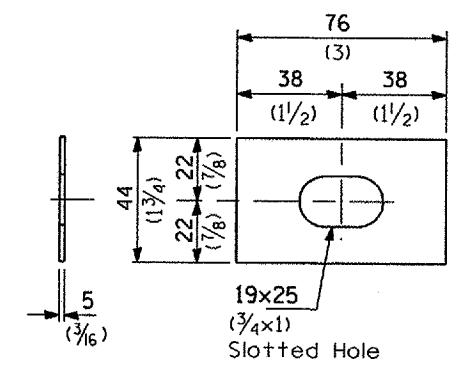
5 (3/16) thick steel



**CABLE STRUT**



**STEEL TUBE**



**PLATE WASHER F**

**GENERAL NOTES**

See Standard 630001 for details of guardrail not shown.

The bearing plate K shall be held in position by (2) two eight penny nails driven into the post and bent over the top of the plate.

All dimensions are in millimeters (inches) unless otherwise shown.

**TRAFFIC BARRIER TERMINAL, TYPE 2**

**DETAIL**

ROUTE NO.	SECTION	COUNTY	SHEET NO.	SHEET	SHEET NO.
FA151	*	Champaign	153	61	1 SHEETS
FED. ROAD DIST. NO. 7	ILLINOIS	FED. AID PROJECT			

Contract Number:   
 \* DS SAFETY IMPROVEMENT 2007-2   
 \*\* CHAMPAIGN, COLES, & DOUGLAS   
**GENERAL NOTES**

Reinforcement bars shall conform to the requirements of ASTM A 706 Gr 60 (IL Modified). See Special Provisions.

Existing reinforcement extending into the removal area shall be cleaned, straightened and incorporated into the new construction. Any reinforcement bars that are damaged during concrete removal shall be replaced with an approved bar splicer or anchorage system. Cost shall be included with Concrete Removal.

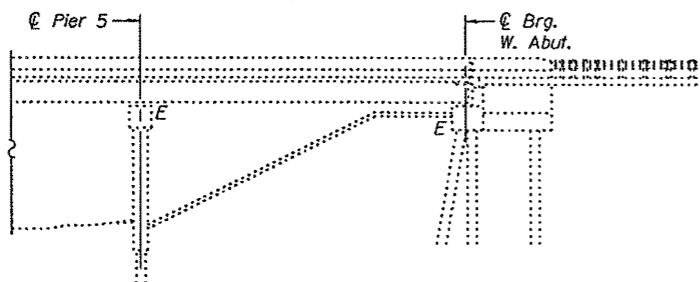
Plan dimensions and details relative to existing plans are subject to routine variations. The Contractor shall field verify existing dimensions and details affecting new construction and make necessary approved adjustments prior to construction or ordering of materials. Such variations shall not be cause for additional compensation for a change in scope of the work, however, the Contractor will be paid for the quantity actually furnished based upon the unit price bid for the work.

Reinforcement bars designated (E) shall be epoxy coated.

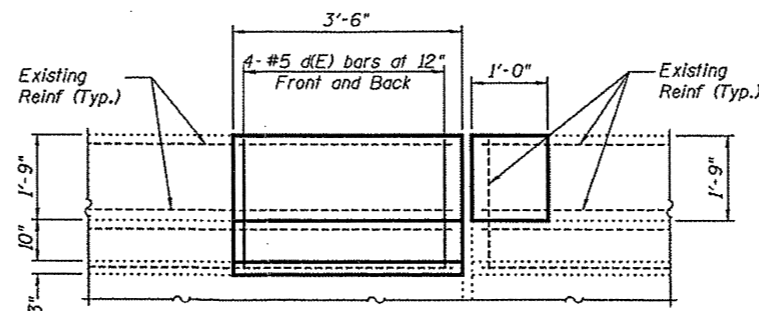
**TOTAL BILL OF MATERIAL**

Bar	No.	Size	Length	Shape
d(E)	8	#5	3'-0"	U
Concrete Removal			Cu. Yd.	0.4
Concrete Superstructure			Cu. Yd.	0.4
Reinforcement Bars, Epoxy Coated			Lbs.	30

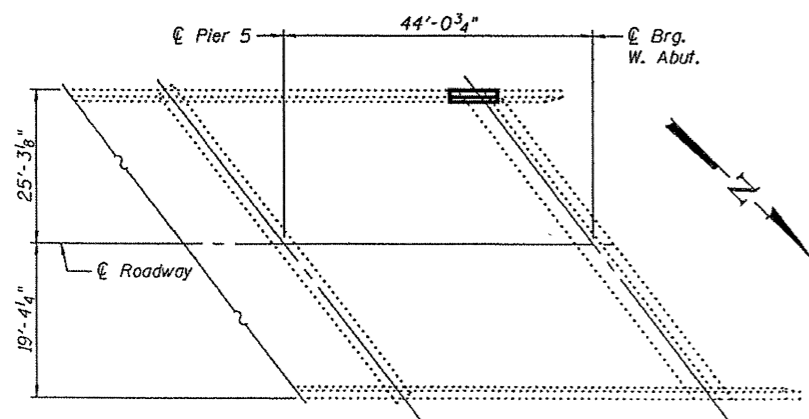
STATE OF ILLINOIS  
 DEPARTMENT OF TRANSPORTATION



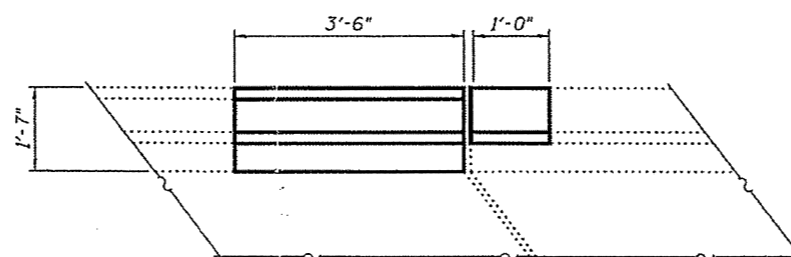
PARTIAL BRIDGE ELEVATION



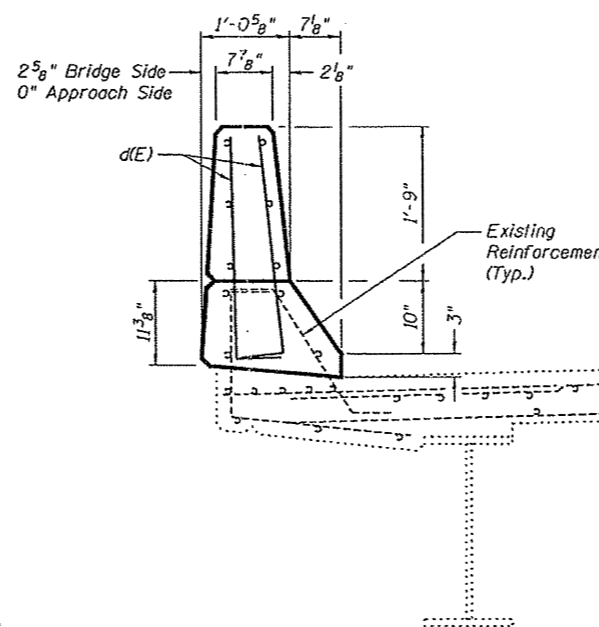
PARTIAL PARAPET ELEVATION



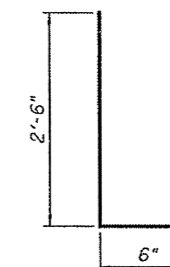
PARTIAL BRIDGE PLAN



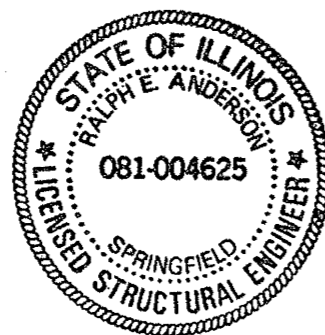
PARTIAL PARAPET PLAN



TYPICAL PARAPET SECTION



d(E) Bar



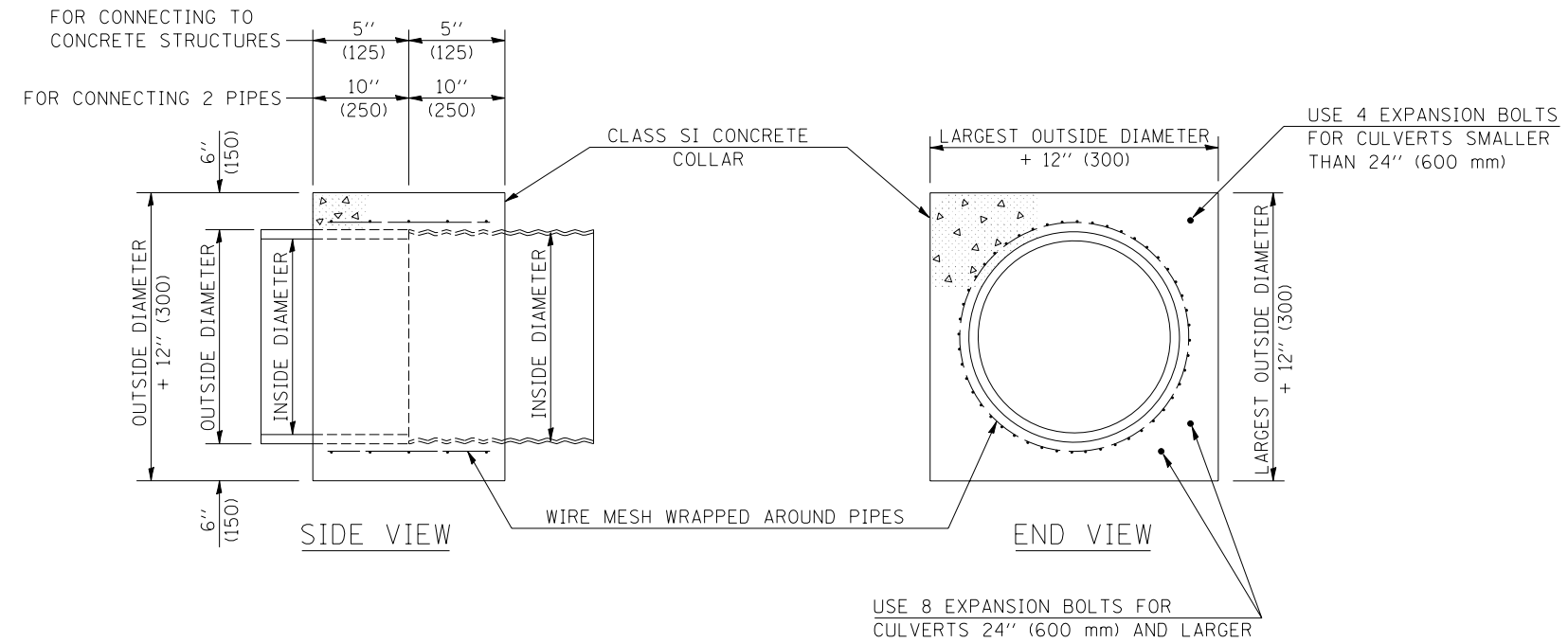
Expires: November 30, 2008

DESIGNED	Victor H. Veliz	February 20, 2007
CHECKED	[Signature]	EXAMINED [Signature]
DRAWN	[Signature]	PASSED [Signature]
CHECKED	VHV KJB	ENGINEER OF BRIDGES AND STRUCTURES

PARAPET REPAIRS  
 F.A.I. RT. 57  
 CHAMPAIGN COUNTY  
 SN 010-0200

F.A.I. RTE.	SECTION	COUNTY	TOTAL SHEETS	SHEET NO.
57	.	..	153	62

• D5 SAFETY IMPROVEMENT 2007-2  
 •• CHAMPAIGN, COLES, & DOUGLAS



**GENERAL NOTES**

1. CLASS SI CONCRETE SHALL BE USED THROUGHOUT.
2. WHEN CONCRETE COLLARS ARE USED TO CONNECT PIPES OF DIFFERENT OUTSIDE DIAMETERS, THE CONCRETE COLLAR SHALL BE FORMED USING THE LARGEST OUTSIDE DIAMETER (SEE END VIEW).
3. THE WIRE MESH SHALL WEIGH NOT LESS THAN 54#/100 SQ. FT. (2.63 kg/m<sup>2</sup>).
4. WHEN CONCRETE COLLARS ARE CONSTRUCTED ADJACENT TO AN EXISTING CONCRETE STRUCTURE (HEADWALLS, ETC.) EXPANSION BOLTS, SHALL BE USED AND WILL BE PAID FOR AT THE CONTRACT UNIT PRICE, EACH, FOR EXPANSION BOLTS OF THE SIZE SPECIFIED IN THE PLANS.
5. CONCRETE COLLARS WILL BE PAID FOR AT THE CONTRACT UNIT PRICE, PER CUBIC YARD (CUBIC METER), FOR CONCRETE COLLARS INCLUDING ALL MATERIAL AND LABOR SPECIFIED TO COMPLETE THE WORK IN PLACE.

QUANTITIES FOR CONCRETE PIPES	
INSIDE DIAMETER OF PIPE	ESTIMATED CLASS SI CONCRETE REQUIRED
INCH (mm)	20" (500 mm) WIDTH CU. YD. (m <sup>3</sup> )
4" (100)	0.14 (0.11)
6" (150)	0.16 (0.12)
8" (200)	0.19 (0.14)
10" (250)	0.22 (0.17)
12" (300)	0.25 (0.19)
15" (375)	0.30 (0.23)
18" (450)	0.35 (0.27)
24" (600)	0.45 (0.35)
30" (750)	0.57 (0.43)
36" (900)	0.69 (0.53)
42" (1050)	0.83 (0.63)
48" (1200)	0.97 (0.74)
54" (1350)	1.12 (0.86)
60" (1500)	1.28 (0.98)

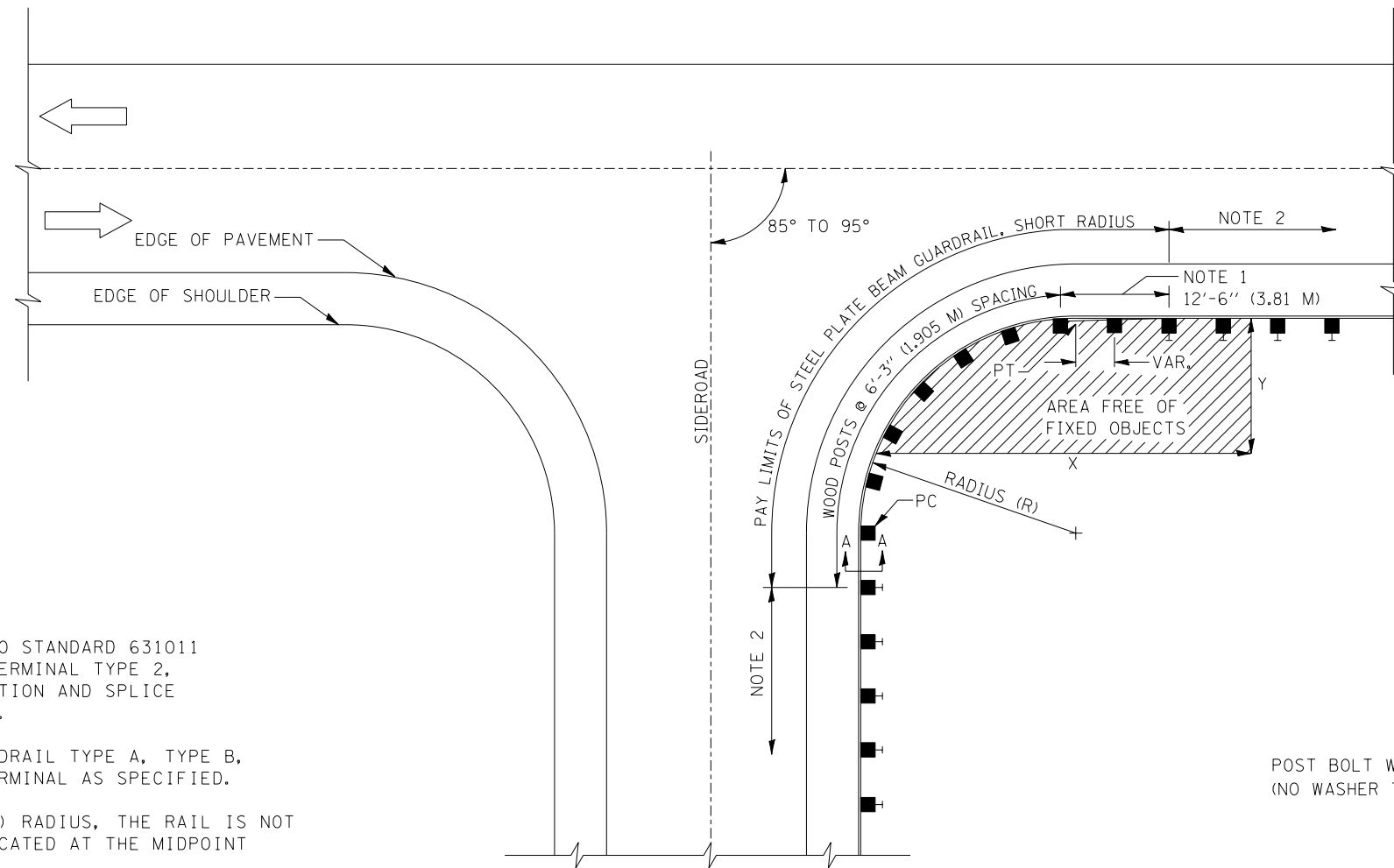
QUANTITIES FOR METAL PIPES	
INSIDE DIAMETER OF PIPE	ESTIMATED CLASS SI CONCRETE REQUIRED
INCH (mm)	20" (500 mm) WIDTH CU. YD. (m <sup>3</sup> )
4" (100)	0.12 (0.09)
6" (150)	0.14 (0.11)
8" (200)	0.16 (0.12)
10" (250)	0.19 (0.14)
12" (300)	0.21 (0.16)
15" (375)	0.25 (0.19)
18" (450)	0.29 (0.22)
24" (600)	0.38 (0.29)
30" (750)	0.47 (0.36)
36" (900)	0.59 (0.45)
42" (1050)	0.69 (0.53)
48" (1200)	0.81 (0.62)
54" (1350)	0.93 (0.71)
60" (1500)	1.05 (0.81)

Note: All dimensions are in INCHES (millimeters) unless otherwise shown.

DATE	REVISIONS	NAME	ILLINOIS DEPARTMENT OF TRANSPORTATION
12/06	REPLACED DETAIL J-5.45	TJB	CONCRETE COLLAR
			DISTRICT 5 DETAIL NO. 54248510

F.A.I. RTE.	SECTION	COUNTY	TOTAL SHEETS	SHEET NO.
57	.	..	153	63

• D5 SAFETY IMPROVEMENT 2007-2  
 •• CHAMPAIGN, COLES, & DOUGLAS



PLAN

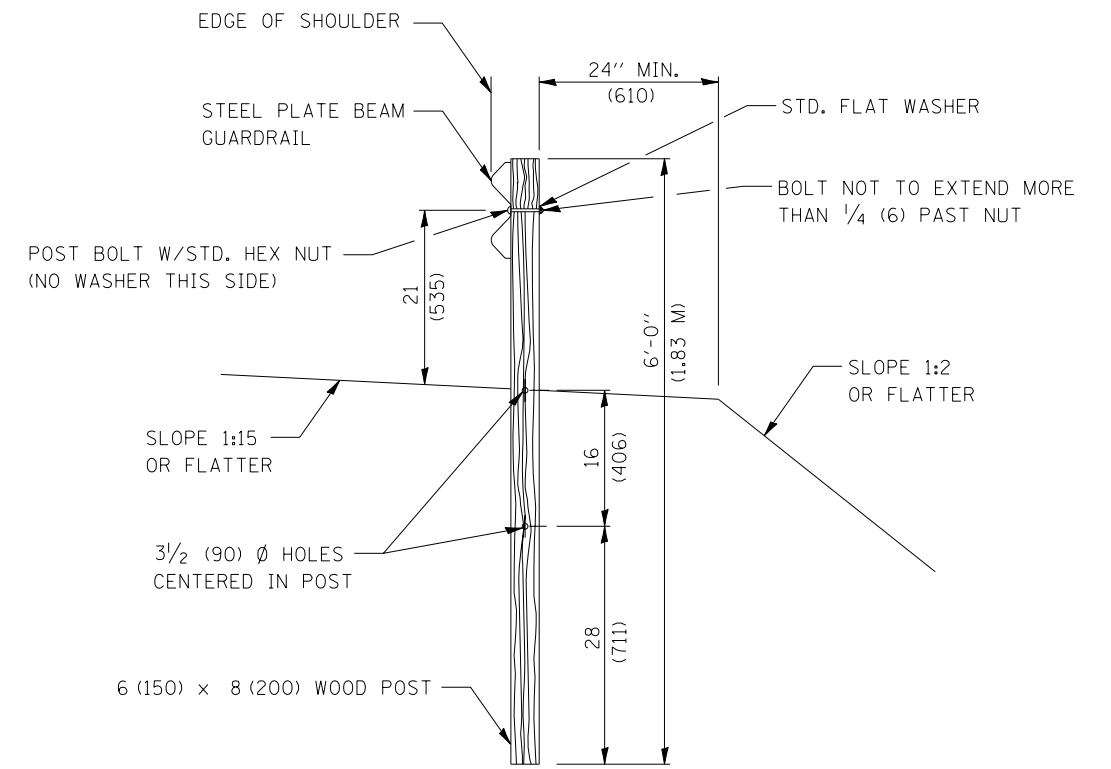
**NOTES**

1. CONSTRUCT ACCORDING TO STANDARD 631011 FOR TRAFFIC BARRIER TERMINAL TYPE 2, EXCEPT DELETE END SECTION AND SPLICE INTO RADIUS GUARDRAIL.
2. STEEL PLATE BEAM GUARDRAIL TYPE A, TYPE B, OR TRAFFIC BARRIER TERMINAL AS SPECIFIED.
3. FOR THE 8'-6" (2.59 M) RADIUS, THE RAIL IS NOT BOLTED TO THE POST LOCATED AT THE MIDPOINT OF THE CURVE.

**GENERAL NOTES**

ALL SLOPE RATIOS ARE EXPRESSED AS UNITS OF VERTICAL DISPLACEMENT TO UNITS OF HORIZONTAL DISPLACEMENT (V:H).

ALL DIMENSIONS ARE IN INCHES (MILLIMETERS) UNLESS OTHERWISE SHOWN.



SECTION A-A

Note: All dimensions are in INCHES (millimeters) unless otherwise shown.

INSTALLATION CHARACTERISTICS PER DESIGN RADIUS (R)			
R	NO. OF WOOD POSTS	X	Y
8'-6" (2.59)	5 (NOTE 3)	25' (7.6 m)	15' (4.6)
17'-0" (5.18)	6	30' (9.1 m)	15' (4.6)
25'-6" (7.77)	8	40' (12.2 m)	20' (6.1)
35'-0" (10.67)	11	50' (15.2 m)	20' (6.1)

DATE	REVISIONS	NAME	ILLINOIS DEPARTMENT OF TRANSPORTATION

**STEEL PLATE BEAM GUARDRAIL, SHORT RADIUS**  
**DISTRICT 5 DETAIL NO. 63300725**

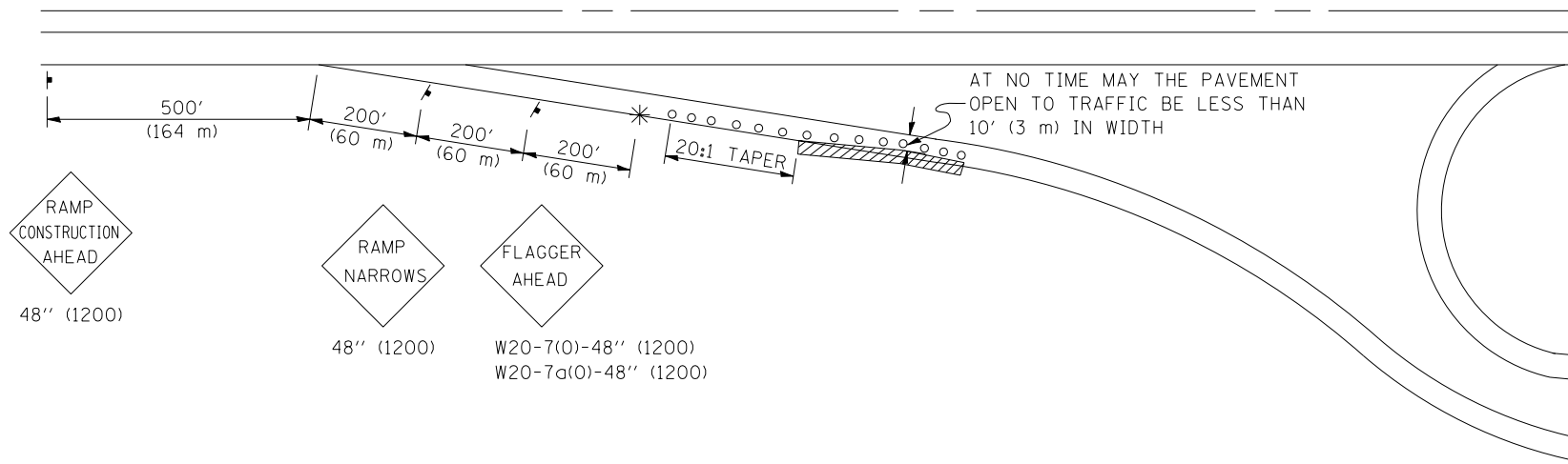
PLOT DATE = 3/30/2007  
 FILE NAME = c:\projects\0514406 (v8)\70628detail.dgn  
 PLOT SCALE = 4.23524 / IN.  
 USER NAME = pierstonb



F.A.I. RTE.	SECTION	COUNTY	TOTAL SHEETS	SHEET NO.
57	.	..	153	64

• D5 SAFETY IMPROVEMENT 2007-2  
 •• CHAMPAIGN, COLES, & DOUGLAS

**APPLICATION NO. 1  
 DAY OPERATION ONLY  
 PARTIAL RAMP CLOSURE**



- RAMP CONSTRUCTION AHEAD  
48" (1200)
- RAMP NARROWS  
48" (1200)
- FLAGGER AHEAD  
W20-7(0)-48" (1200)  
W20-7a(0)-48" (1200)

GENERAL NOTES

CONSTRUCTION OPERATIONS SHALL BE CONFINED TO AN AREA NARROW ENOUGH THAT A MINIMUM OF 10' (3 m) OF PAVEMENT SHALL BE OPEN TO TRAFFIC AT ALL TIMES.

FULL WIDTH PAVEMENT ON THE RAMPS SHALL BE OPEN TO TRAFFIC AT NIGHT.

WHEN NO WORK IS BEING PERFORMED, THE FLAGGER WILL NOT BE REQUIRED. IF THE FLAGGER IS NOT PRESENT, THE FLAGGER SIGNS SHALL BE REMOVED OR COVERED.

ALL SIGNS SHALL BE POST MOUNTED IF WORK IN THE AREA EXCEEDS FOUR DAYS OF DAYTIME OPERATIONS.

LONGITUDINAL DIMENSIONS MAY BE ADJUSTED SLIGHTLY TO FIT FIELD CONDITIONS.

ALL VEHICLES, EQUIPMENT, WORKERS (EXCEPT FLAGGER) AND THEIR ACTIVITIES ARE RESTRICTED AT ALL TIMES TO ONE SIDE OF THE PAVEMENT UNLESS OTHERWISE AUTHORIZED BY THE DISTRICT ENGINEER.

SYMBOLS

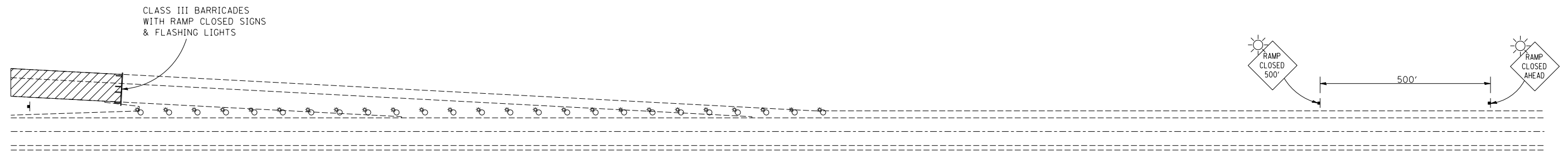
- (APPLICATION NO. 1) TYPE I OR II BARRICADES OR DRUMS @ 50' (15 m) CTS.
- ◉ (APPLICATION NO. 2) TYPE I OR II BARRICADES OR DRUMS @ 25' (7.5 m) CTS. W/STEADY BURNING LIGHTS
- \* (APPLICATION NO. 1) FLAGGER PLACED AS DIRECTED BY THE ENGINEER
- † SIGN ON PORTABLE OR PERMANENT SUPPORT
- ▨ WORK AREA

TYPICAL APPLICATIONS

- PAVEMENT PATCHING
- PIPE UNDERDRAINS
- HMA RESURFACING

**Traffic Control for all ramps shall be in accordance with the appropriate application of plan detail TRAFFIC CONTROL FOR RAMPS and will not be paid for separately, but shall be included in the contract lump sum prices for Traffic Control and Protection, Standard 701401 and Traffic Control and Protection, Standard 701406.**

**APPLICATION NO. 2  
 RAMP CLOSURE**



GENERAL NOTES

STEADY BURN LIGHTS ARE NOT REQUIRED FOR DAYTIME OPERATIONS.

CONTACT THE DISTRICT TRAFFIC OPERATIONS ENGINEER AT 217-465-4181, ONE WEEK PRIOR TO CLOSING THE RAMP.

Note: All dimensions are in INCHES (millimeters) unless otherwise shown.

DATE	REVISIONS	NAME
11/06	REPLACED DETAIL F-5.01	TJB

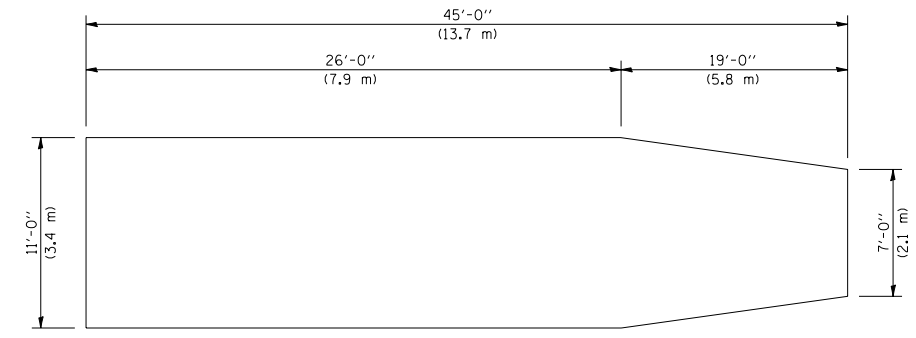
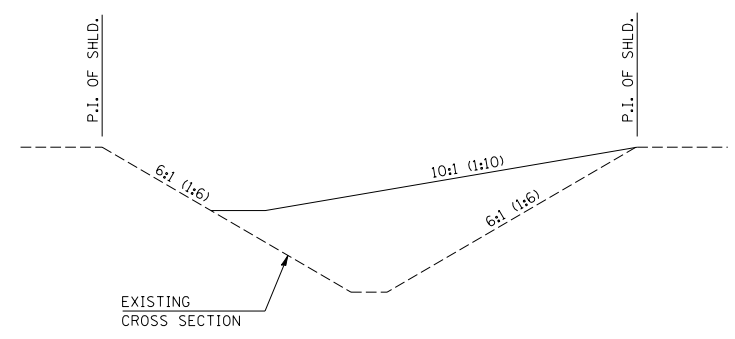
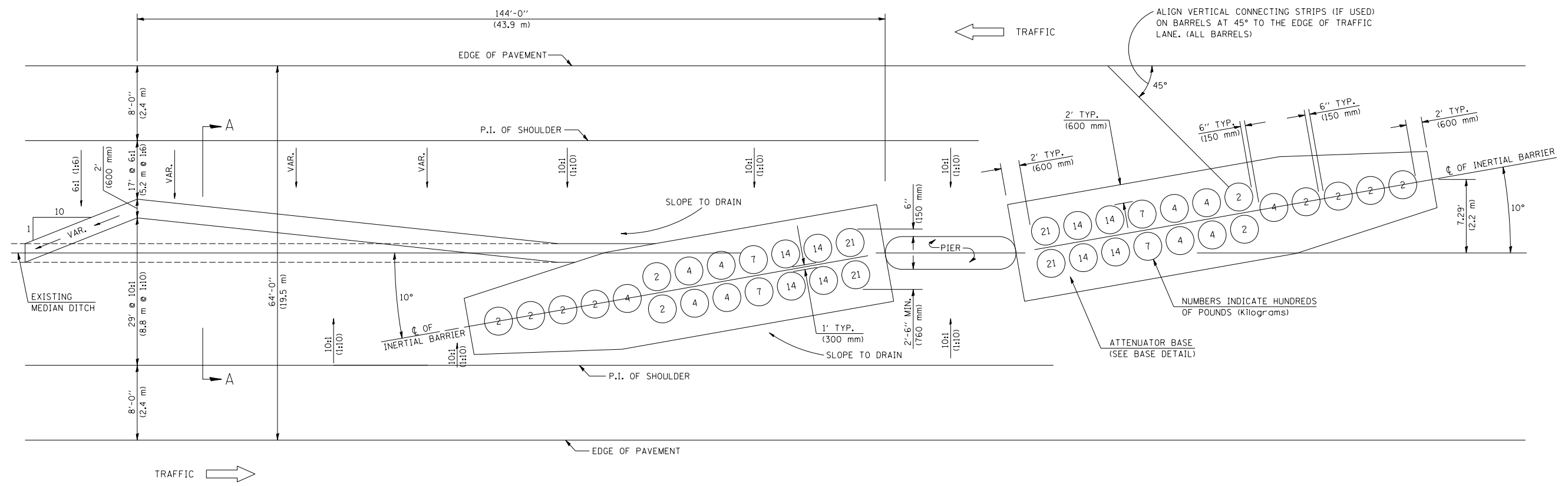
ILLINOIS DEPARTMENT OF TRANSPORTATION  
**TRAFFIC CONTROL FOR RAMPS**  
**DISTRICT 5 DETAIL NO. 70103710**

PLOT DATE = 3/30/2007  
 FILE NAME = c:\projects\514406 (v8)\70628detail.dgn  
 PLOT SCALE = 42.352% / IN.  
 USER NAME = pier-somb

F.A.I. RTE.	SECTION	COUNTY	TOTAL SHEETS	SHEET NO.
57	.	..	153	65

• D5 SAFETY IMPROVEMENT 2007-2  
 • CHAMPAIGN, COLES, & DOUGLAS

70 MPH (110 km/h) DESIGN - 64' (19.5 m) MEDIAN



SECTION A-A  
 GRADING AND SHAPING DETAIL

BASE DETAIL

GENERAL NOTES

- ALL 10:1 (1:10) SLOPES SHOWN ON THIS DETAIL SHALL BE CONSTRUCTED 10:1 (1:10) OR FLATTER.
- THE SLOPES AS SHOWN ON THIS DETAIL SHALL APPLY TO BOTH ENDS OF THE BRIDGE PIERS.
- THE LENGTH X WIDTH OF MODULE LAYOUT IS 41.0' x 7.0' : 19 MODULES - 14,400 LBS. (12.5 m x 2.1 m : 19 MODULES - 6532 kg).
- IN AREAS OF 10:1 (1:10) SLOPES PRECEDING THE ATTENUATOR IN THE MEDIAN INSTALLATION, FOUR OR MORE WOOD POSTS SHALL BE PLACED AT 5' (1.5 m) INTERVALS IN THE MEDIAN C. SEE SPECIAL PROVISIONS AND SCHEDULES.

Note: All dimensions are in INCHES (millimeters) unless otherwise shown.

DATE	REVISIONS	NAME
11/06	REPLACED DETAIL F-1.53A	TJB

ILLINOIS DEPARTMENT OF TRANSPORTATION  
**IMPACT ATTENUATORS  
 (NON-REDIRECTIVE)  
 TEST LEVEL 3**  
**DISTRICT 5 DETAIL NO. Z0030150D**

PLOT DATE = 3/20/2007  
 FILE NAME = c:\projects\0514406 (v8)\70628detail.dgn  
 PLOT SCALE = 4.23528 / IN.  
 USER NAME = piersomb



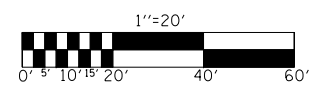
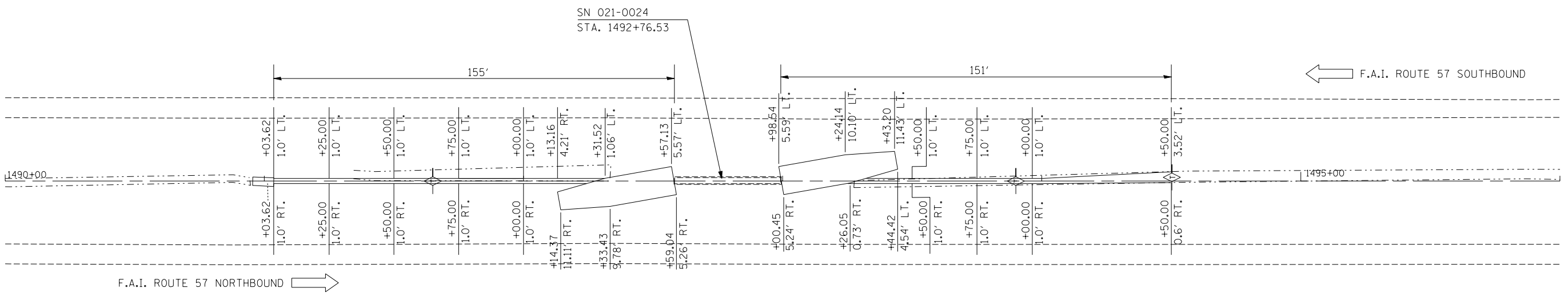
F.A.I. RTE.	SECTION	COUNTY	TOTAL SHEETS	SHEET NO.
57	.	..	153	67

STA. 1490+00 TO STA. 1496+00  
 FED. ROAD DIST. NO. ILLINOIS FED. AID PROJECT

- D5 SAFETY IMPROVEMENT 2007-2
- CHAMPAIGN, COLES, & DOUGLAS



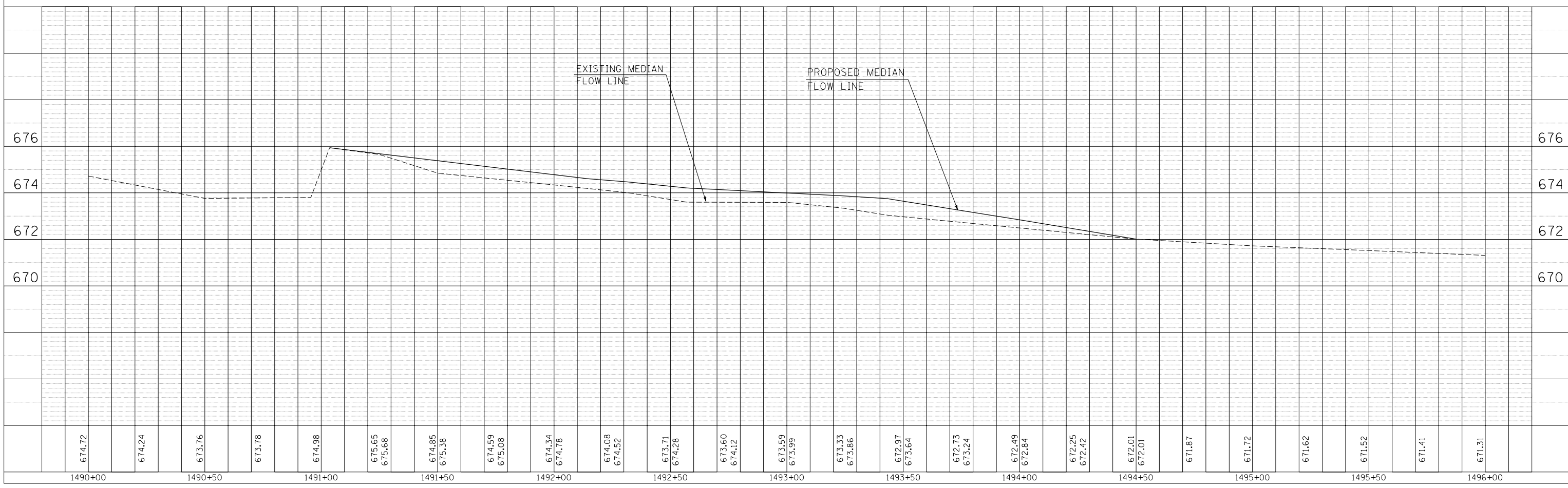
← F.A.I. ROUTE 57 SOUTHBOUND



PLAN	SURVEYED	BY	DATE
NO. _____	PLOTTED		
	CHECKED		
	RT. OF WAY CHECKED		
	CADD FILE NAME		

PROFILE	SURVEYED	BY	DATE
NO. _____	PLOTTED		
	CHECKED		
	STRUCTURE NOTATIONS CHKD		

PLOT DATE = 3/30/2007  
 FILE NAME = c:\p\o\p\cts\d5\4406 (v8)\021-0024\0024.imod  
 PLOT SCALE = 42.3529' / IN.  
 USER NAME = pier-sonbr

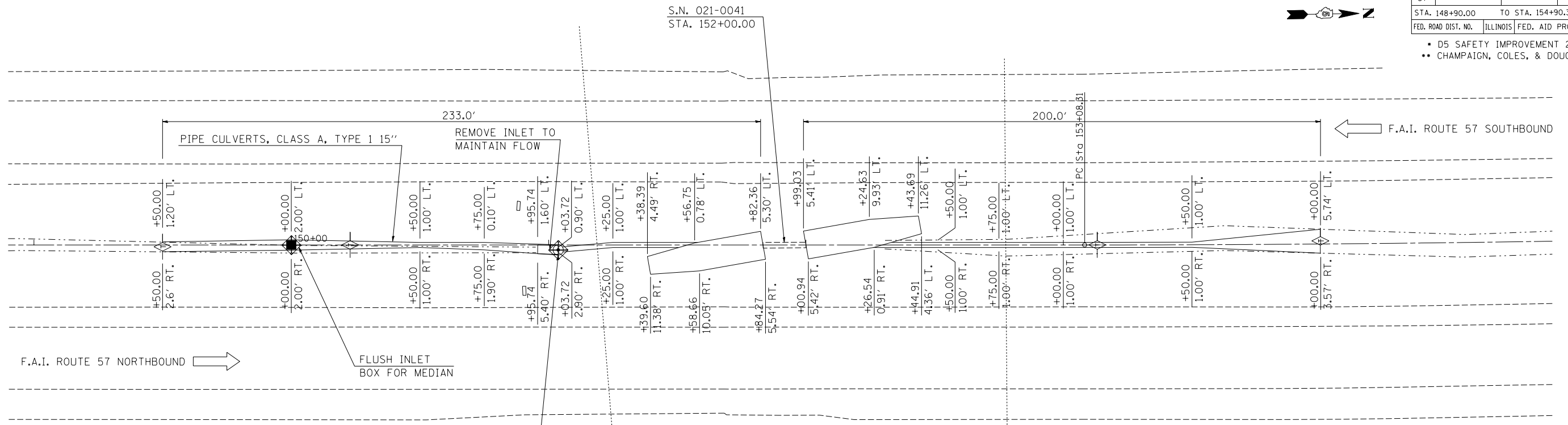


F.A.I. RTE.	SECTION	COUNTY	TOTAL SHEETS	SHEET NO.
57		••	153	68

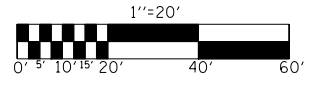
STA. 148+90.00 TO STA. 154+90.312  
 FED. ROAD DIST. NO. ILLINOIS FED. AID PROJECT

- D5 SAFETY IMPROVEMENT 2007-2
- CHAMPAIGN, COLES, & DOUGLAS

PLAN	SURVEYED	BY	DATE
NO. _____	PLOTTED		
	RT. OF WAY CHECKED		
	NO. _____		
	CADD FILE NAME		

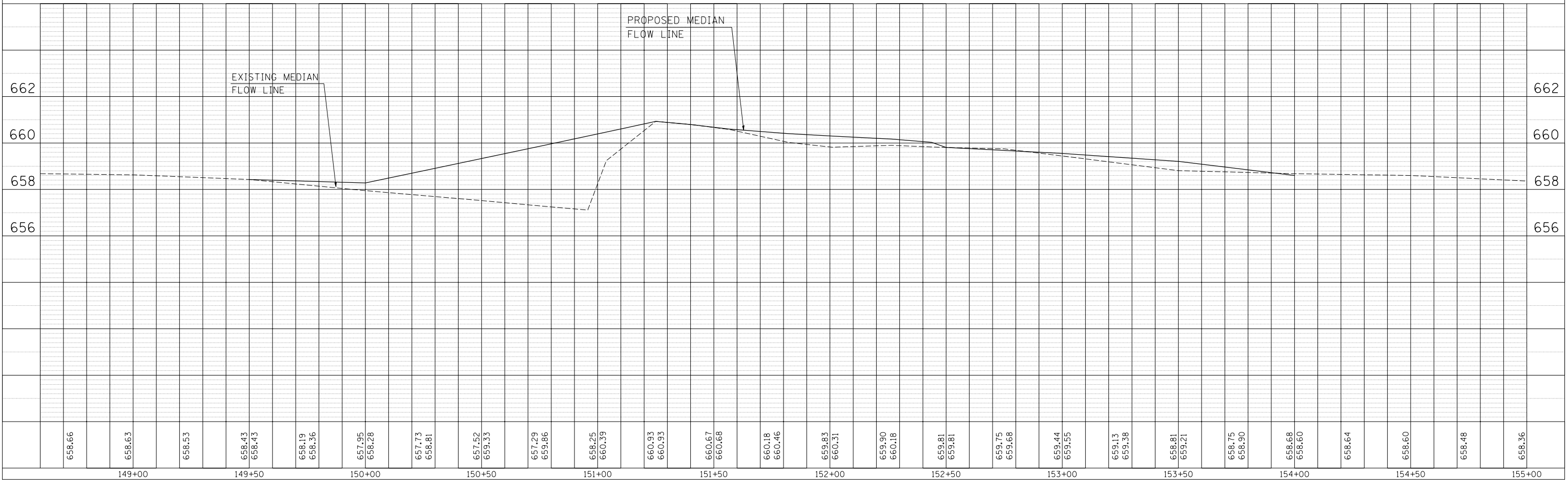


NOTE  
 PIPE UNDERDRAINS 4" SHALL BE EXTENDED TO FLOW LINE OR NEAREST INLET. THE PIPE UNDERDRAIN HEADWALLS SHALL BE INCIDENTAL TO PIPE UNDERDRAINS 4".



PROFILE	SURVEYED	BY	DATE
NO. _____	PLOTTED		
	STRUCTURE NOTATIONS CHKD		

PLOT DATE = 3/30/2007  
 FILE NAME = c:\projects\0514406 (v8)\021-0041\0041.mpd  
 PLOT SCALE = 42.3529' / IN.  
 USER NAME = piersonbr



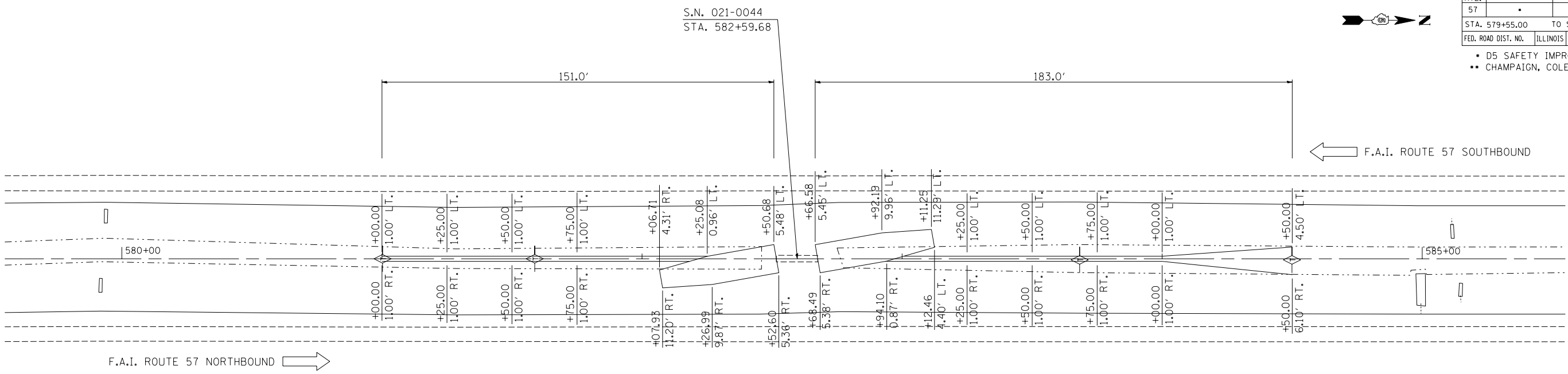
F.A.I. RTE.	SECTION	COUNTY	TOTAL SHEETS	SHEET NO.
57	.	..	153	69

STA. 579+55.00 TO STA. 585+55.00  
 FED. ROAD DIST. NO. ILLINOIS FED. AID PROJECT

- D5 SAFETY IMPROVEMENT 2007-2
- CHAMPAIGN, COLES, & DOUGLAS

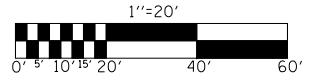
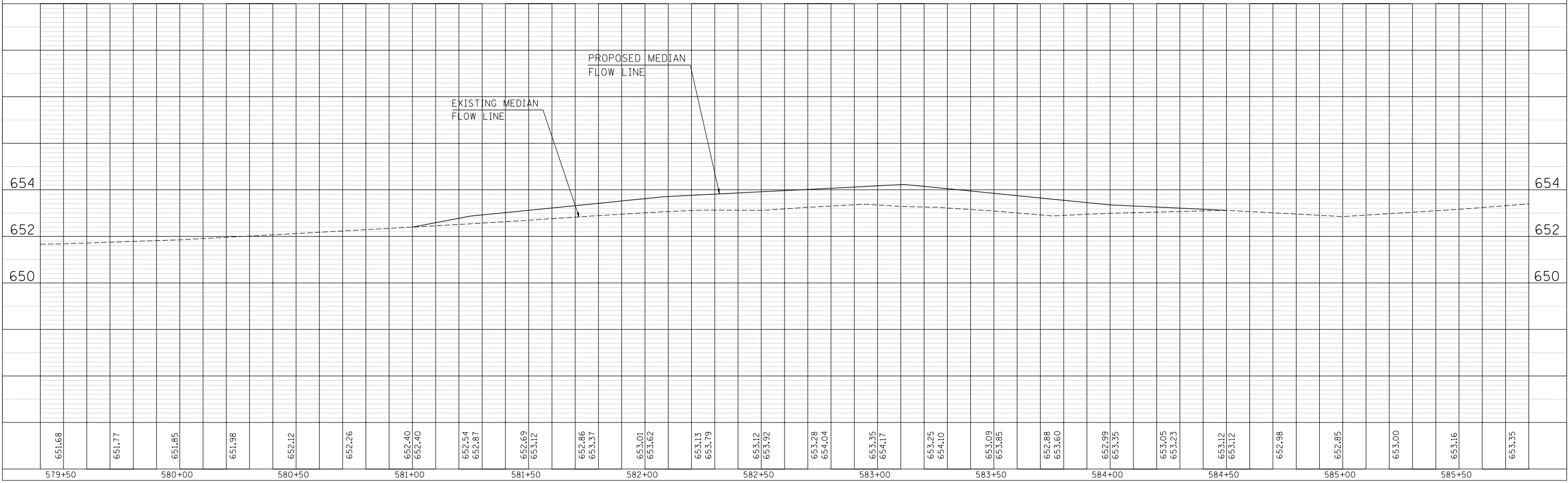


PLAN	SURVEYED	BY	DATE
NOTE BOOK NO.	PLOTTED		
	RT. OF WAY CHECKED		
	CADD FILE NAME		



PROFILE	SURVEYED	BY	DATE
FILE NAME	PLOTTED		
	RT. OF WAY CHECKED		
	STRUCTURE NOTATIONS CHECKED		

PLOT DATE = 3/30/2007  
 FILE NAME = c:\projects\d51406 (v81\021\_0044\0044\_impot\9852001.dwg)  
 PLOT SCALE = 42.3529' / IN.  
 USER NAME = pier-sonor

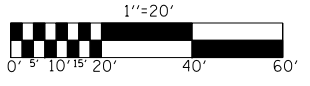
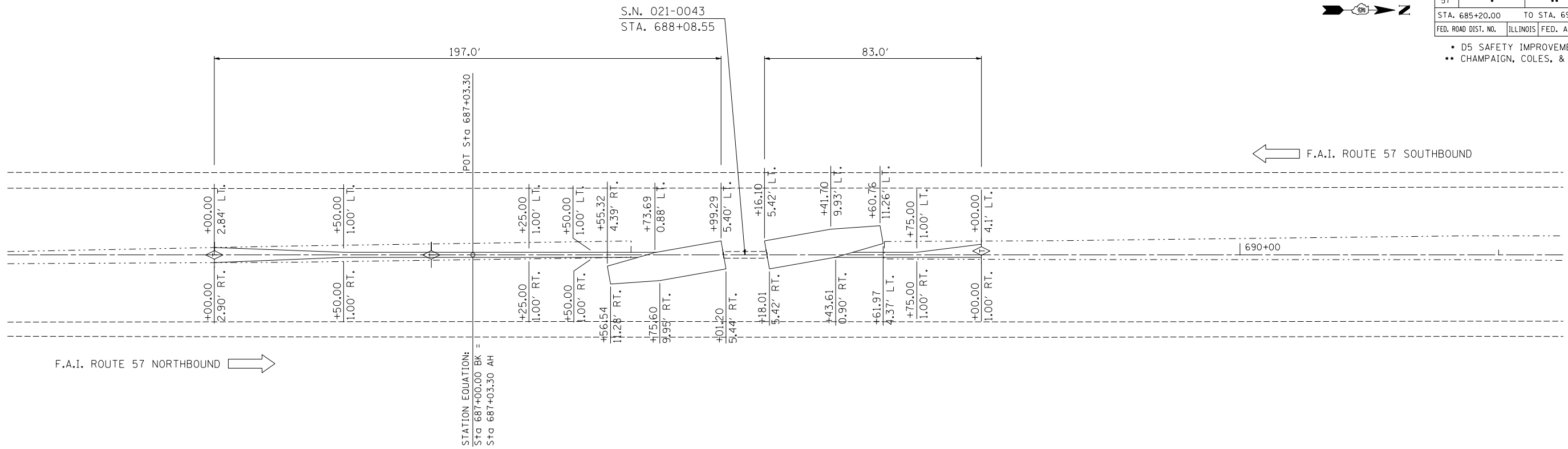


F.A.I. RTE.	SECTION	COUNTY	TOTAL SHEETS	SHEET NO.
57	.	..	153	70
STA. 685+20.00		TO STA. 691+25.00		
FED. ROAD DIST. NO.		ILLINOIS FED. AID PROJECT		

- D5 SAFETY IMPROVEMENT 2007-2
- CHAMPAIGN, COLES, & DOUGLAS

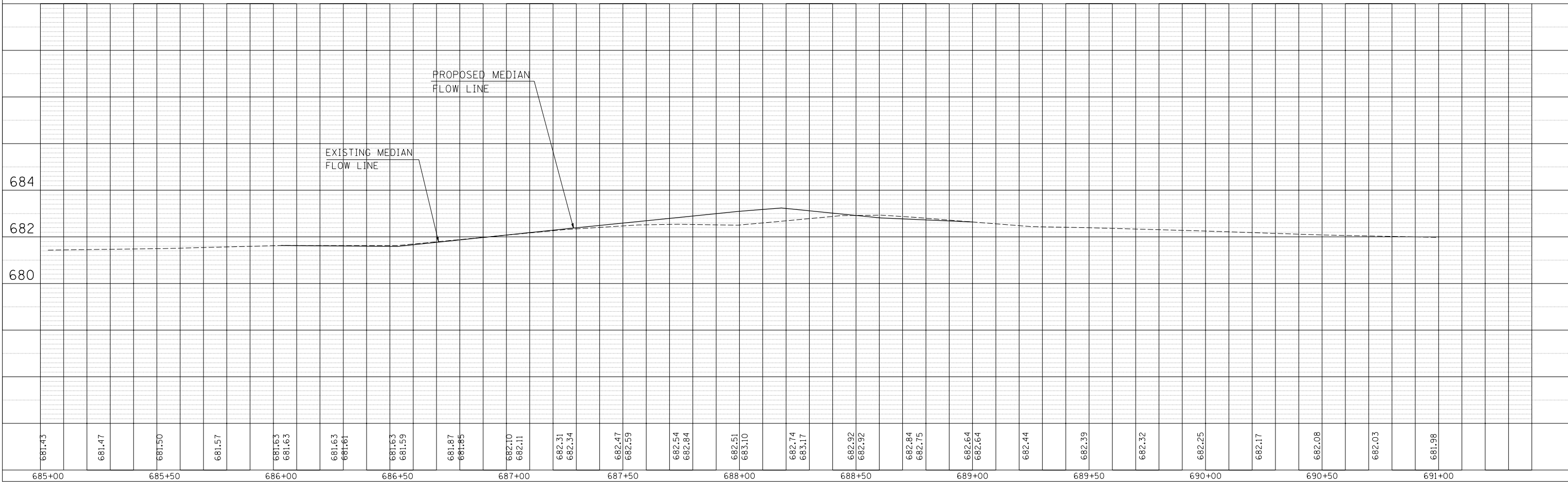


PLAN	SURVEYED	BY	DATE
PLotted	Checked		
NOTE BOOK NO.	RT. OF WAY CHECKED		
	PAID FILE NAME		



PROFILE	SURVEYED	BY	DATE
Plotted	Checked		
NOTE BOOK NO.	RT. OF WAY CHECKED		
	STRUCTURE NOTATIONS CHKD		

PLOT DATE = 3/30/2007  
 FILE NAME = c:\projects\d54406\021\0043\0043\_imp01.dwg  
 PLOT SCALE = 42.3529' / IN.  
 USER NAME = pfer-somb



F.A.I. RTE.	SECTION	COUNTY	TOTAL SHEETS	SHEET NO.
57	•	••	153	71

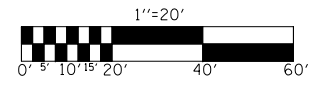
STA. 790+35.00 TO STA. 796+35.00  
 FED. ROAD DIST. NO. ILLINOIS FED. AID PROJECT

- D5 SAFETY IMPROVEMENT 2007-2
- CHAMPAIGN, COLES, & DOUGLAS



← F.A.I. ROUTE 57 SOUTHBOUND

→ F.A.I. ROUTE 57 NORTHBOUND



PLAN

SURVEYED	BY	DATE
PLOTTED		
RT. OF WAY CHECKED		
CADD FILE NAME		

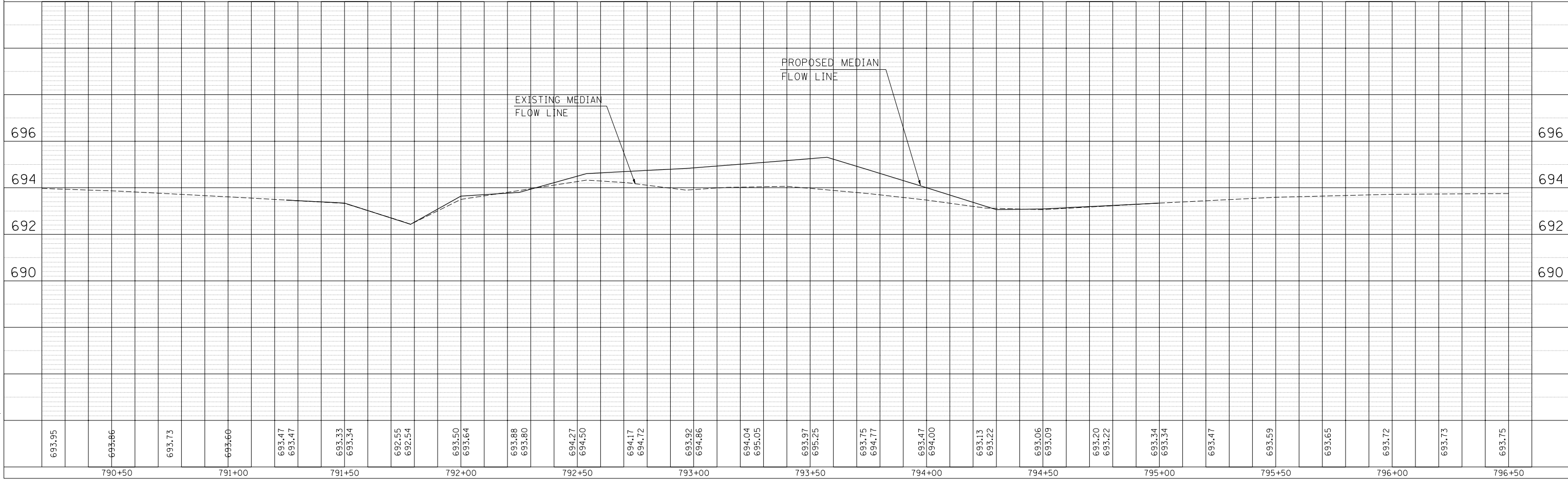
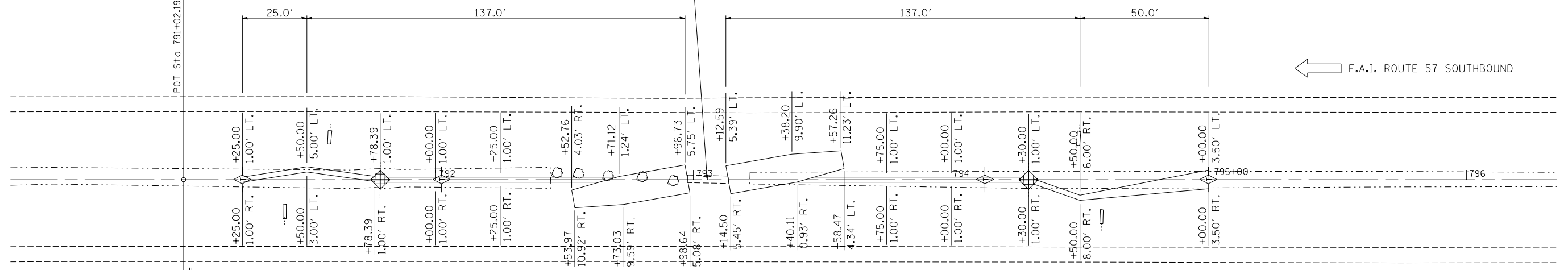
PROFILE

SURVEYED	BY	DATE
PLOTTED		
RT. OF WAY CHECKED		
STRUCTURE NOTATIONS CHKD		

PLOT DATE = 3/30/2007  
 FILE NAME = c:\projects\d5\4406 (v8)\021-0034\0034\_imp\021-0034.dwg  
 PLOT SCALE = 42.3529' / IN.  
 USER NAME = plersonbr

POT Sta 791+02.19  
 STATION EQUATION:  
 Sta. 791+00.00 Bk. =  
 Sta. 791+02.19 AH

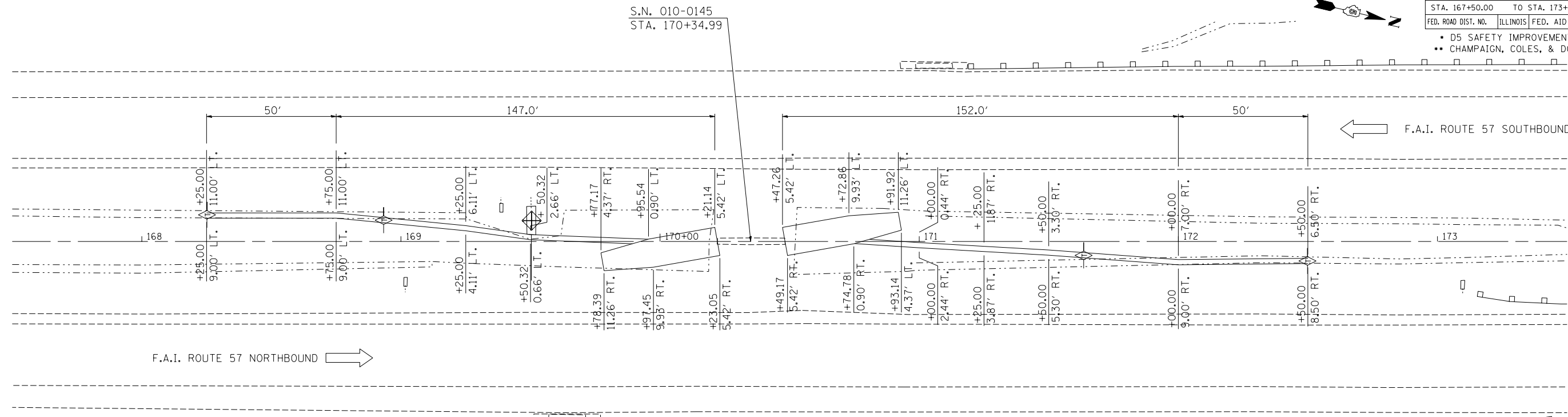
S.N. 021-0034  
 STA. 793+05.35



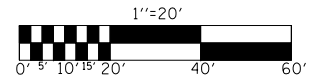


F.A.I. RTE.	SECTION	COUNTY	TOTAL SHEETS	SHEET NO.
57		..	153	72
STA. 167+50.00		TO STA. 173+50.00		
FED. ROAD DIST. NO.		ILLINOIS FED. AID PROJECT		
• D5 SAFETY IMPROVEMENT 2007-2 •• CHAMPAIGN, COLES, & DOUGLAS				

PLAN	SURVEYED	BY	DATE
NO. _____	PLOTTED		
	RT. OF WAY CHECKED		
	CADD FILE NAME		

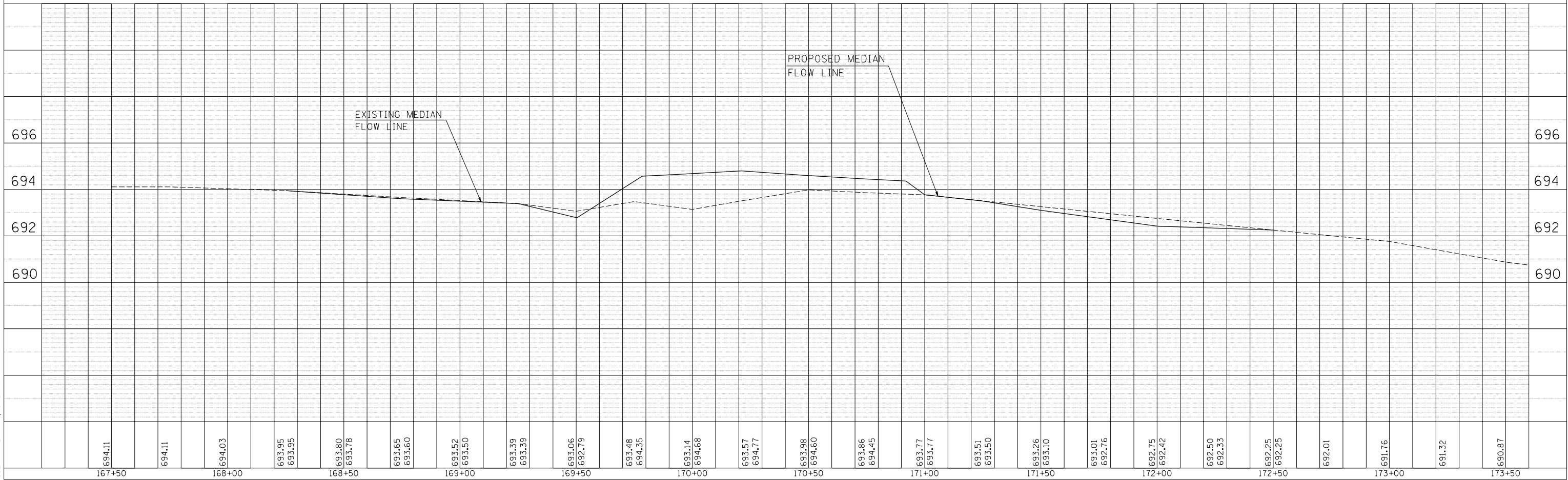


**NOTE**  
 PIPE UNDERDRAINS 4" SHALL BE EXTENDED TO FLOW LINE OR NEAREST INLET. THE PIPE UNDERDRAIN HEADWALLS SHALL BE INCIDENTAL TO PIPE UNDERDRAINS 4".



PROFILE	SURVEYED	BY	DATE
NO. _____	PLOTTED		
	RT. OF WAY CHECKED		
	STRUCTURE NOTATIONS CHKD		

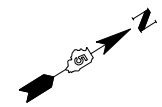
PLOT DATE = 3/30/2007  
 FILE NAME = c:\projects\d5\4406 (v8)\010\_0145\0145\_1.mpd  
 PLOT SCALE = 42.3529 / IN.  
 USER NAME = plersorbr



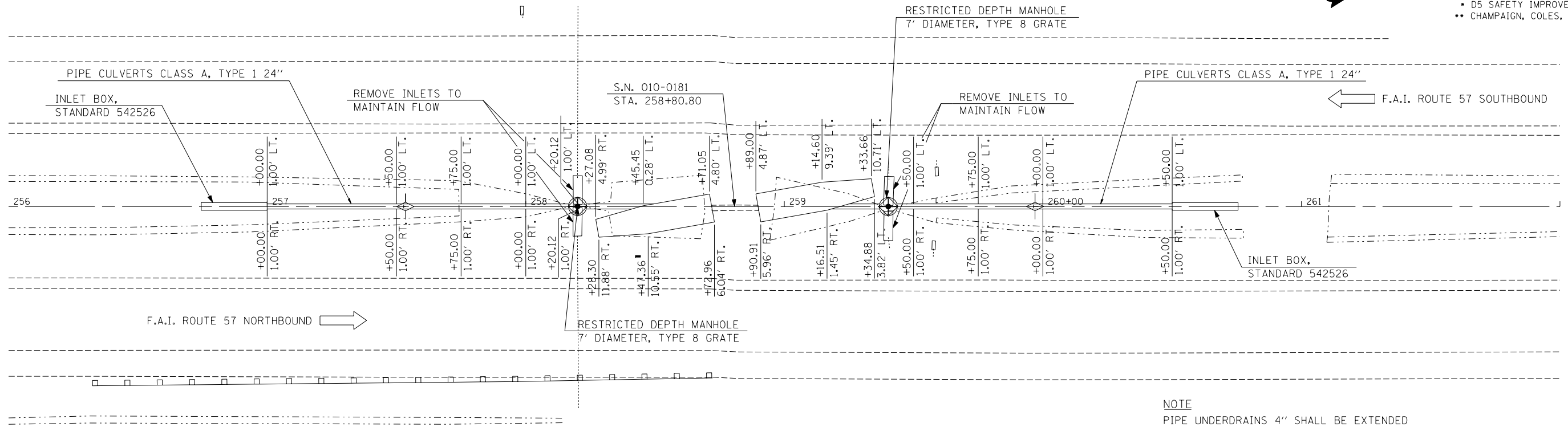
F.A.I. RTE.	SECTION	COUNTY	TOTAL SHEETS	SHEET NO.
57		..	153	73

STA. 256+00.00 TO STA. 262+00.00  
 FED. ROAD DIST. NO. ILLINOIS FED. AID PROJECT

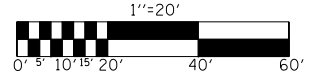
- D5 SAFETY IMPROVEMENT 2007-2
- CHAMPAIGN, COLES, & DOUGLAS



PLAN	SURVEYED	BY	DATE
NO. _____	PLOTTED		
	BY		
	DATE		

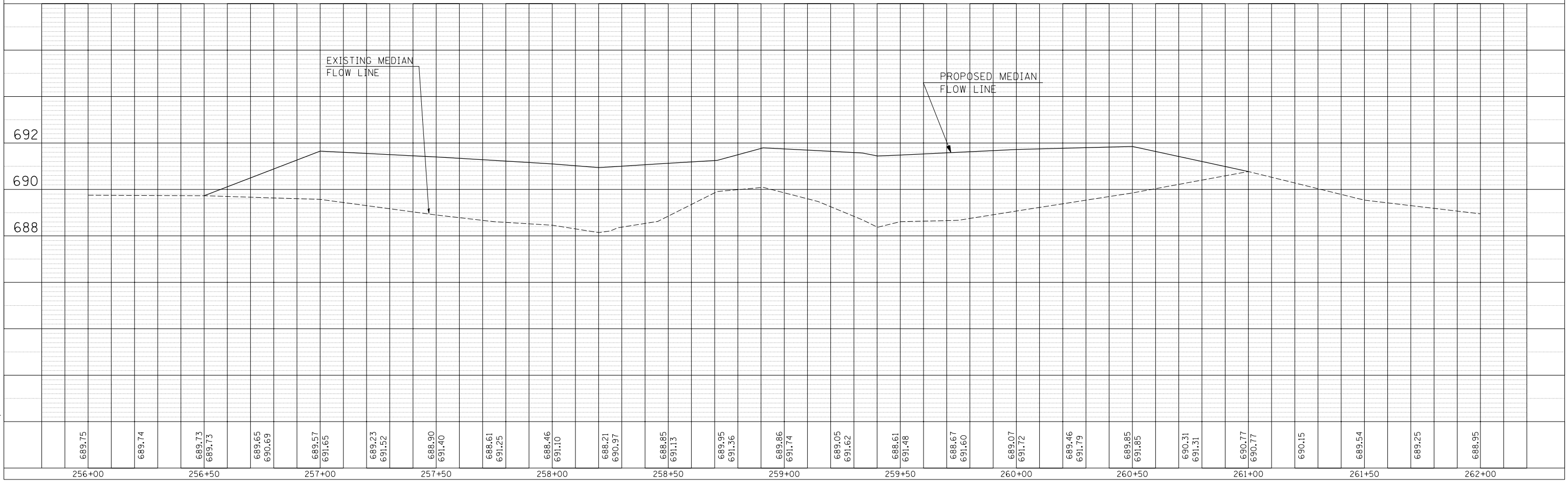


NOTE  
 PIPE UNDERDRAINS 4" SHALL BE EXTENDED TO FLOW LINE OR NEAREST INLET. THE PIPE UNDERDRAIN HEADWALLS SHALL BE INCIDENTAL TO PIPE UNDERDRAINS 4".



PROFILE	SURVEYED	BY	DATE
NO. _____	PLOTTED		
	BY		
	DATE		

PLOT DATE = 3/30/2007  
 FILE NAME = c:\projects\d5\4406 (v8)\00\_08\0181\_imp\p11\p11.dwg  
 PLOT SCALE = 42.3529' / IN.  
 USER NAME = pierstonbr

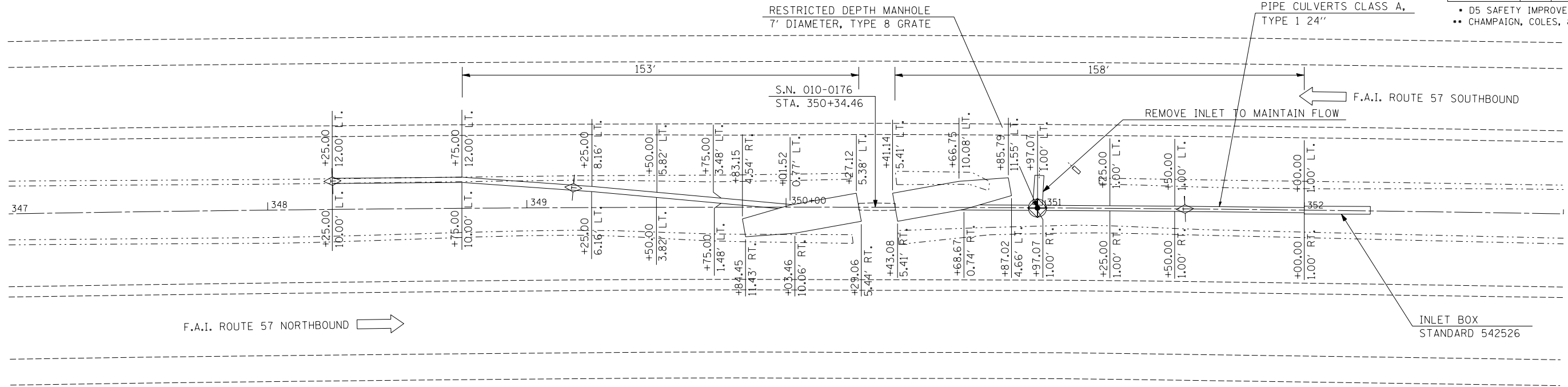


F.A.I. RTE.	SECTION	COUNTY	TOTAL SHEETS	SHEET NO.
57		..	153	74
STA. 347+00.00		TO STA. 353+00.00		
FED. ROAD DIST. NO.		ILLINOIS FED. AID PROJECT		
<ul style="list-style-type: none"> <li>• D5 SAFETY IMPROVEMENT 2007-2</li> <li>• CHAMPAIGN, COLES, &amp; DOUGLAS</li> </ul>				

PLAN	SURVEYED	BY	DATE
NO. _____	PLOTTED		
	RT. OF WAY CHECKED		
	ROAD FILE NAME		

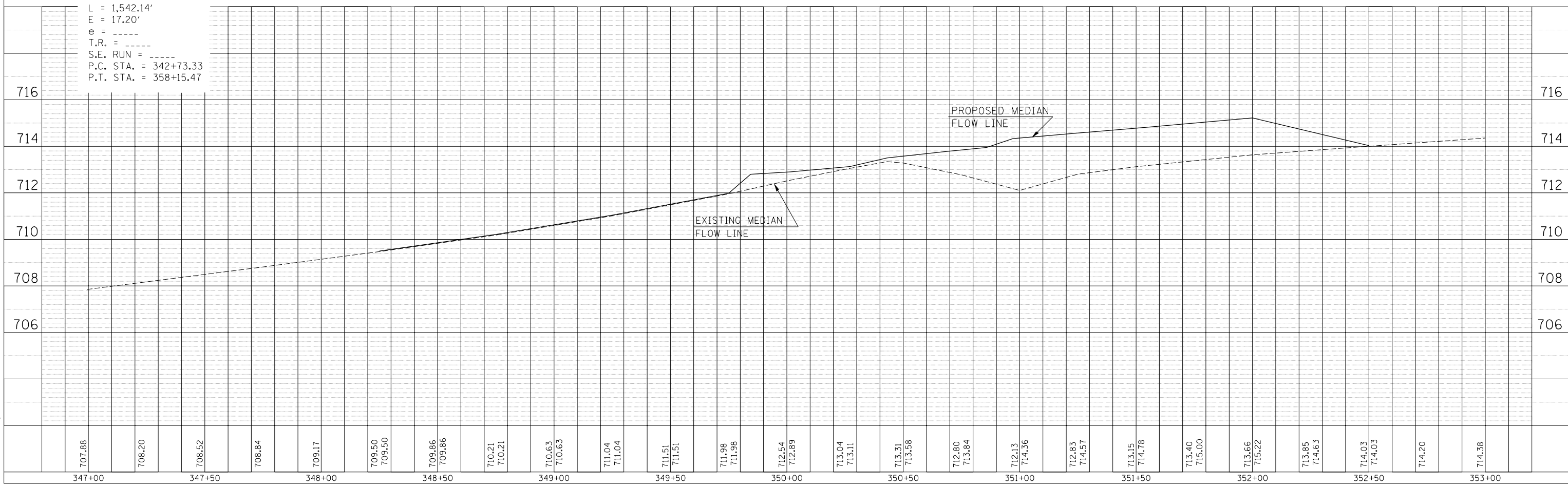
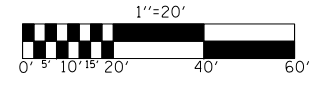
PROFILE	SURVEYED	BY	DATE
NO. _____	PLOTTED		
	STRUCTURE NOTATIONS CHKD		

PLOT DATE = 3/30/2007  
 FILE NAME = c:\projects\4514406 (v8)\010\_0176\0176\_impot1...  
 PLOT SCALE = 42.3529' / IN.  
 USER NAME = plersomb



EXIST. CURVE 51  
 PI STA. = 350+44.91  
 $\Delta = 5^\circ 06' 27''$  (RT)  
 $D = 0^\circ 19' 52''$   
 $R = 17,300.03'$   
 $T = 771.58'$   
 $L = 1,542.14'$   
 $E = 17.20'$   
 $e = \text{----}$   
 $T.R. = \text{----}$   
 $S.E. RUN = \text{----}$   
 $P.C. STA. = 342+73.33$   
 $P.T. STA. = 358+15.47$

NOTE  
 PIPE UNDERDRAINS 4" SHALL BE EXTENDED TO FLOW LINE OR NEAREST INLET. THE PIPE UNDERDRAIN HEADWALLS SHALL BE INCIDENTAL TO PIPE UNDERDRAINS 4".



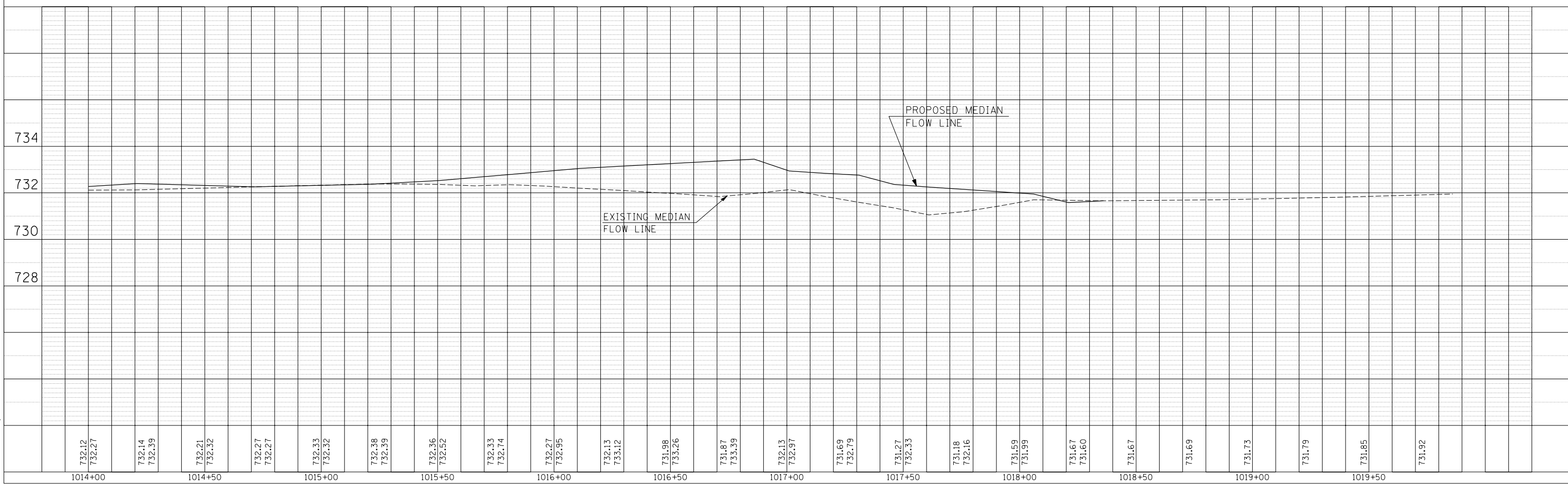
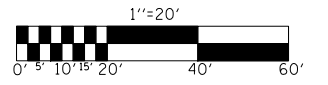
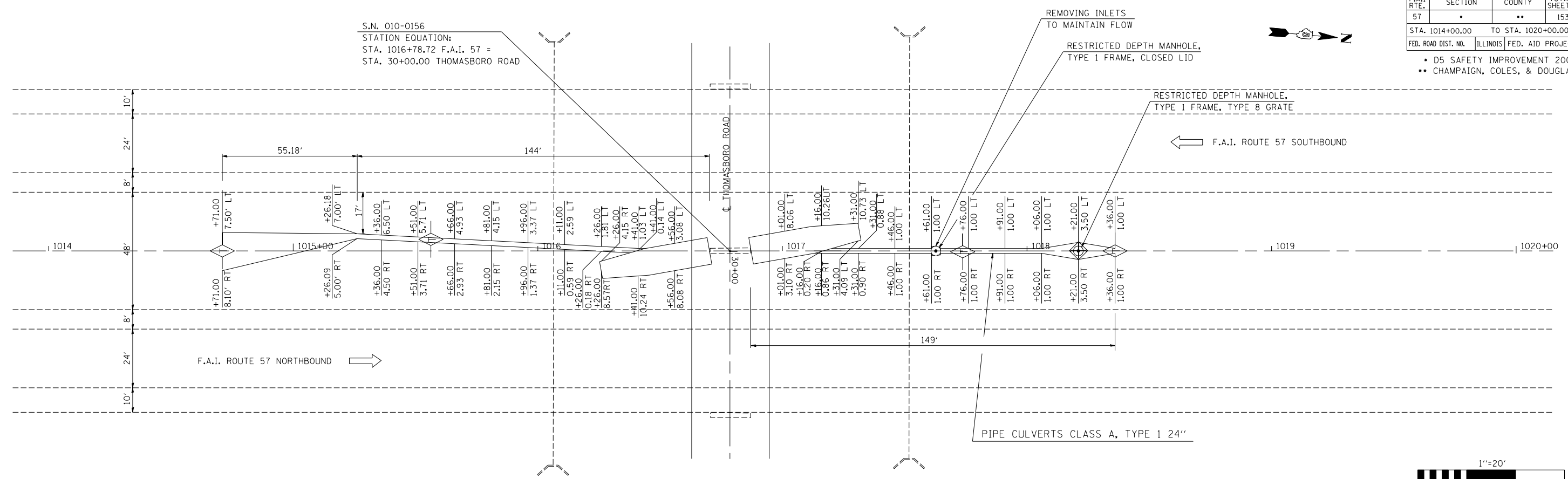
F.A.I. RTE.	SECTION	COUNTY	TOTAL SHEETS	SHEET NO.
57		..	153	75

STA. 1014+00.00 TO STA. 1020+00.00  
 FED. ROAD DIST. NO. ILLINOIS FED. AID PROJECT  
 • D5 SAFETY IMPROVEMENT 2007-2  
 • CHAMPAIGN, COLES, & DOUGLAS

PLAN	SURVEYED	BY	DATE
NOTE BOOK NO. _____	PLOTTED _____		
	RT. OF WAY CHECKED _____		
	CADD FILE NAME _____		

PROFILE	SURVEYED	BY	DATE
NOTE BOOK NO. _____	PLOTTED _____		
	STRUCTURE NOTATIONS CHKD _____		

PLOT DATE = 3/30/2007  
 FILE NAME = c:\projects\d5i406 (v8)\056br\056impact\p...  
 PLOT SCALE = 42.3529' / IN.  
 USER NAME = pier-sonbr



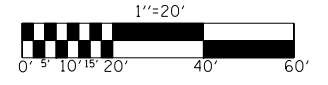
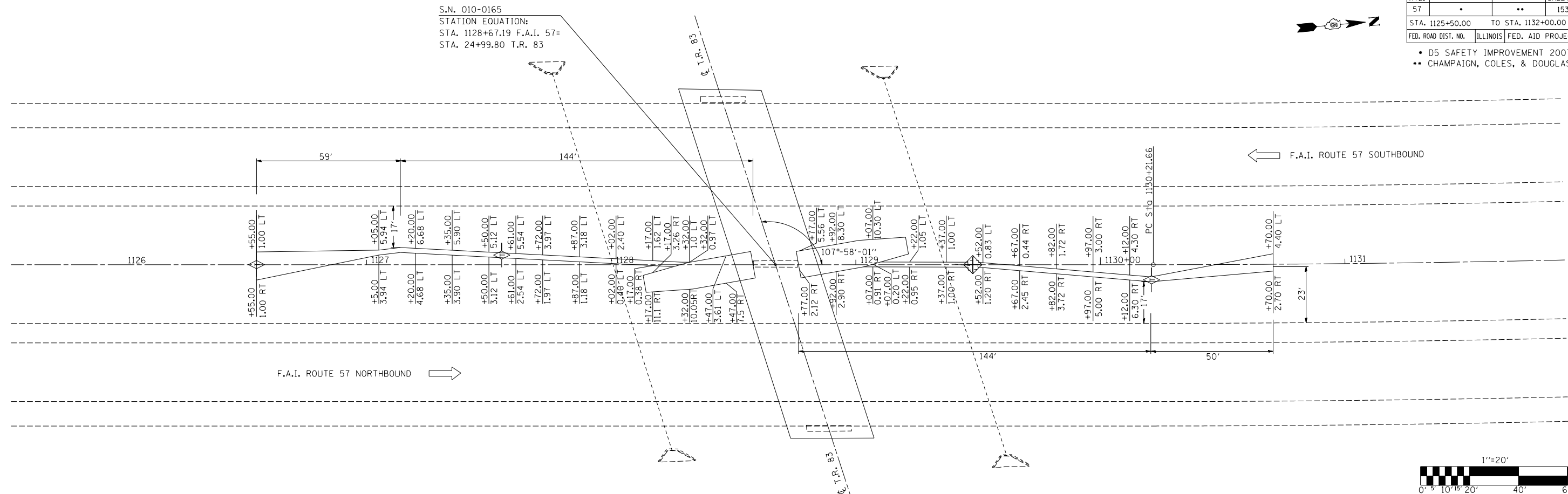
F.A.I. RTE.	SECTION	COUNTY	TOTAL SHEETS	SHEET NO.
57	•	••	153	76

STA. 1125+50.00 TO STA. 1132+00.00  
 FED. ROAD DIST. NO. ILLINOIS FED. AID PROJECT

- D5 SAFETY IMPROVEMENT 2007-2
- CHAMPAIGN, COLES, & DOUGLAS

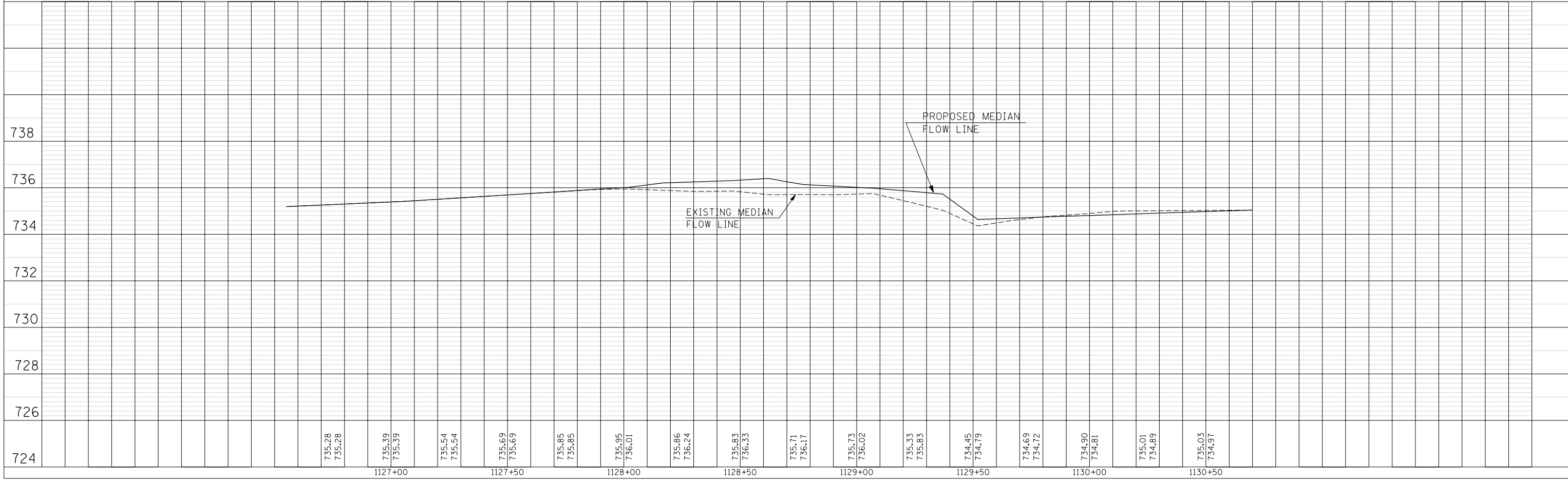


PLAN	SURVEYED	BY	DATE
NOTE BOOK NO. _____	PLOTTED _____		
	RT. OF WAY CHECKED _____		
	CADD FILE NAME _____		



PROFILE	SURVEYED	BY	DATE
NOTE BOOK NO. _____	PLOTTED _____		
	BY HAND NOTED _____		
	STRUCTURE NOTATIONS CHECKED _____		

PLOT DATE = 3/30/2007  
 FILE NAME = c:\projects\4406 (v8)\0165b-0165\mpeac-tpo.dgn  
 PLOT SCALE = 42.3524' / IN.  
 USER NAME = piersonb



F.A.I. RTE.	SECTION	COUNTY	TOTAL SHEETS	SHEET NO.
57	•	••	153	77

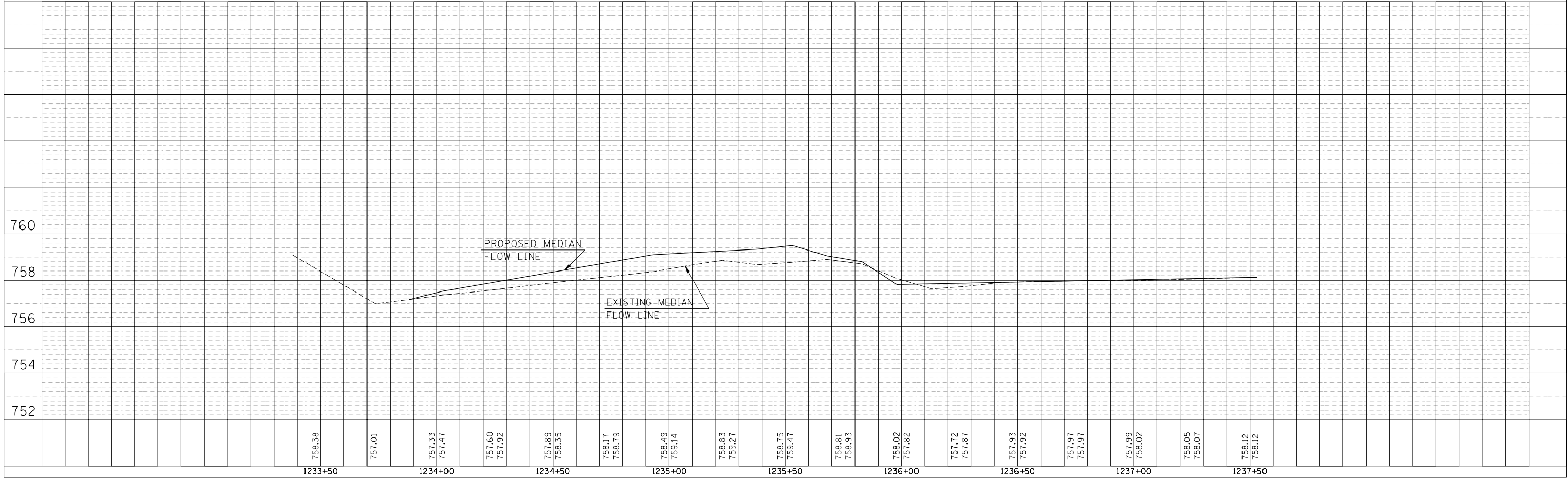
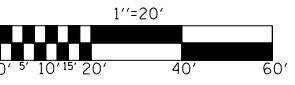
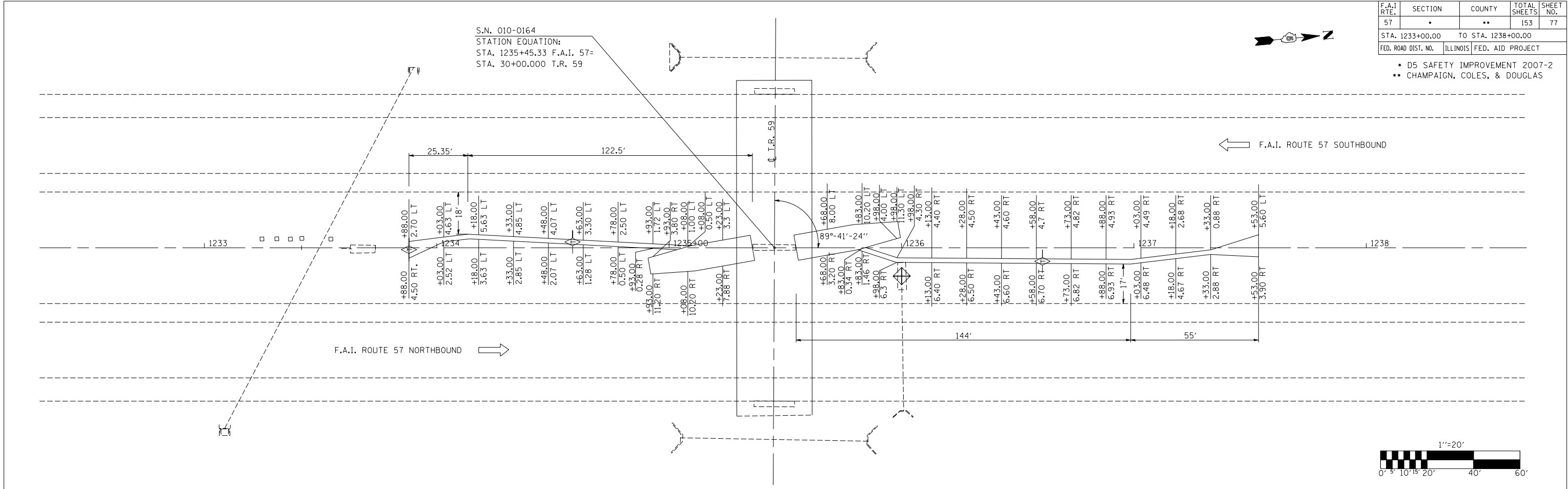
STA. 1233+00.00 TO STA. 1238+00.00  
 FED. ROAD DIST. NO. ILLINOIS FED. AID PROJECT

- D5 SAFETY IMPROVEMENT 2007-2
- CHAMPAIGN, COLES, & DOUGLAS

PLAN	SURVEYED	BY	DATE
	PLOTTED		
	NOTED		
	BY		
	NO.		

PROFILE	SURVEYED	BY	DATE
	PLOTTED		
	NOTED		
	BY		
	NO.		

PLOT DATE = 3/30/2007  
 FILE NAME = c:\p\o\l\c\s\d514406\w8\016-dbr\0164impact\pl\p1\p1.dwg  
 PLOT SCALE = 42.3529' / IN.  
 USER NAME = pier-sonbr



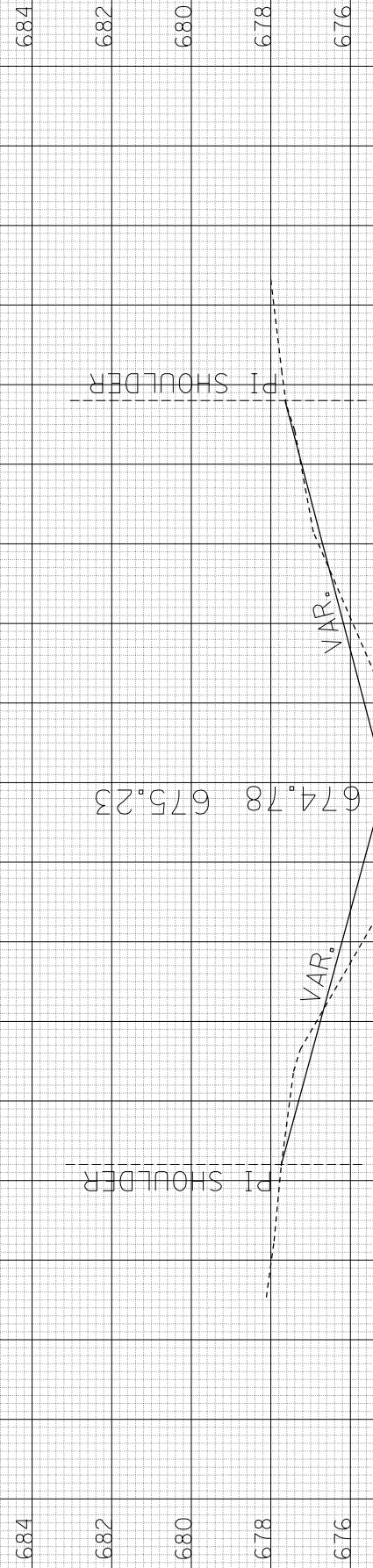
PLOT DATE : 3/30/2007  
 FILE NAME : \\s1015.006\proj\14406\14406.dwg  
 PLOT SCALE : 10.5682 / IN.  
 USER NAME : pier-arob

ORIGINAL SURVEY SURVEYED SURVEY PLOTTED PLOTTED DATE BY  
 NO. AREAS CHECKED

FINAL SURVEY SURVEYED SURVEY PLOTTED PLOTTED DATE BY  
 NO. AREAS CHECKED

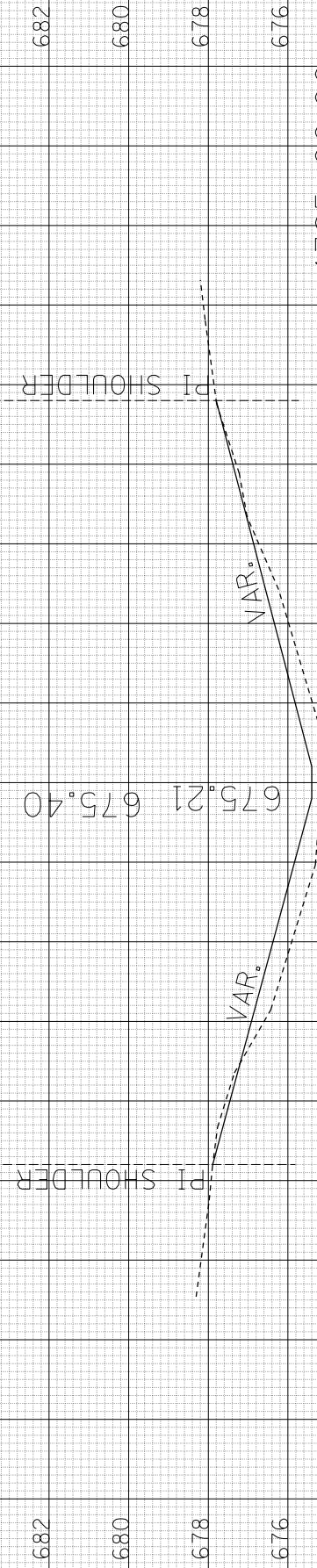
S.N. 015-0063

Sheet 1 of 6



C = 0.55  
 F = 4.98

1385+50.00



C = 0.54  
 F = 6.70

1385+00.00



C = 0.00  
 F = 5.53

MATCH EXISTING SLOPES

C = 0.00  
 F = 0.00

1384+50.00

F.A.I. RTE.	SECTION	COUNTY	TOTAL SHEETS	SHEET NO.
57	.	..	153	78

STA. 1384+50.00 TO STA. 1385+50.00  
 FED. ROAD DIST. NO. ILLINOIS FED. AID PROJECT  
 • D5 SAFETY IMPROVEMENT 2007-2  
 • CHAMPAIGN, COLES, & DOUGLAS

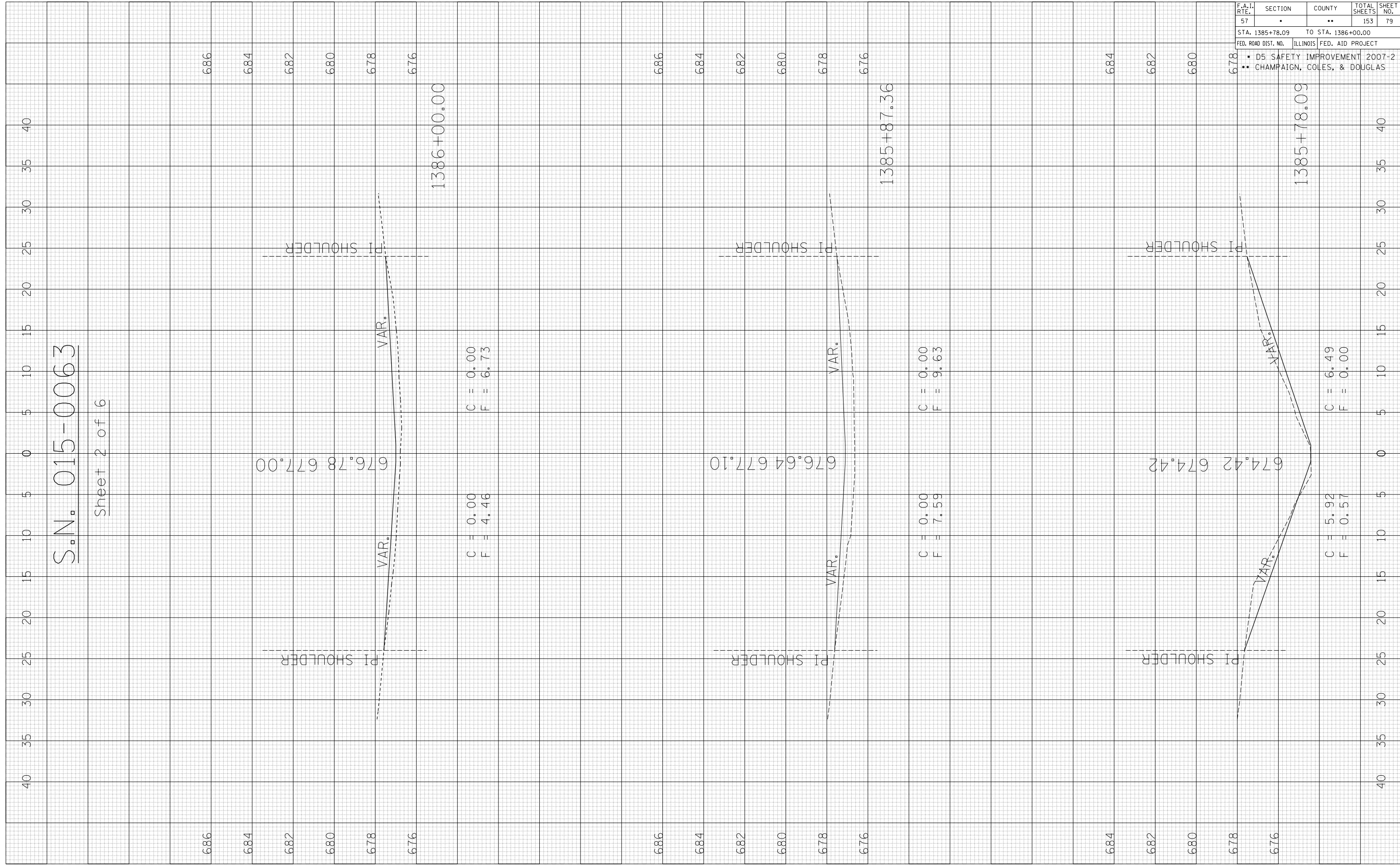
PLOT DATE : 3/30/2007  
 FILE NAME : \\s1015.006\proj\14486 (1015.006)14486.dwg  
 PLOT SCALE : 10.5682 IN.  
 USER NAME : pier-arob

ORIGINAL SURVEYED SURVEY PLOTTED  
 NO. DATE

FINAL SURVEYED SURVEY PLOTTED  
 NO. DATE

S.N. 015-0063

Sheet 2 of 6



F.A.I. RTE.	SECTION	COUNTY	TOTAL SHEETS	SHEET NO.
57	.	..	153	79

STA. 1385+78.09 TO STA. 1386+00.00  
 FED. ROAD DIST. NO. ILLINOIS FED. AID PROJECT  
 • D5 SAFETY IMPROVEMENT 2007-2  
 • CHAMPAIGN, COLES, & DOUGLAS



PLOT DATE : 3/30/2007  
 FILE NAME : \\s11015.006\proj\14406\14406.dwg  
 PLOT SCALE : 10.5682 / IN.  
 USER NAME : pier-arob

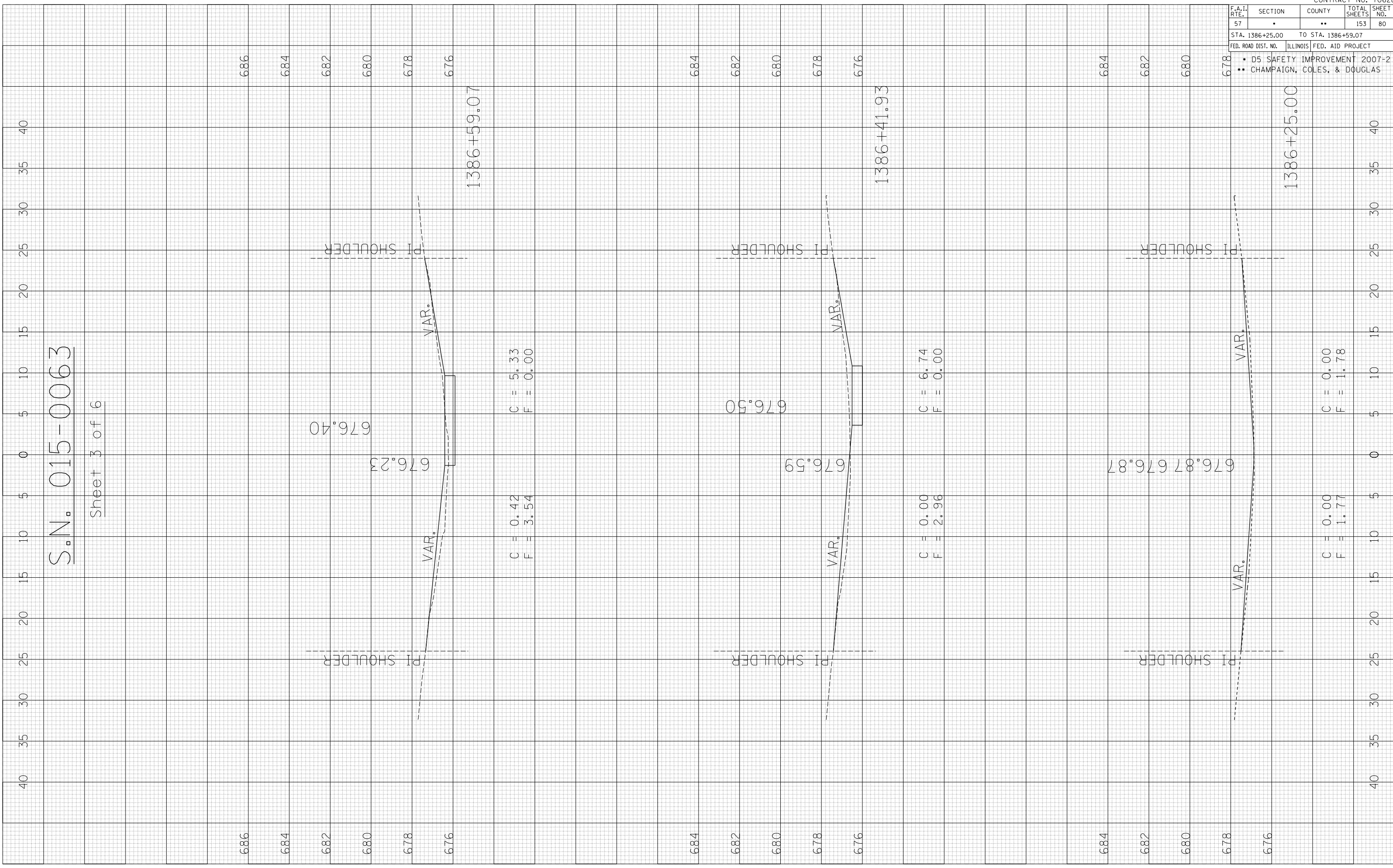
ORIGINAL SURVEY PLOTTED AREAS CHECKED  
 NO. \_\_\_\_\_

FINAL SURVEY PLOTTED AREAS CHECKED  
 NO. \_\_\_\_\_

BY \_\_\_\_\_ DATE \_\_\_\_\_

S.N. 015-0063

Sheet 3 of 6



F.A.I. RTE.	SECTION	COUNTY	TOTAL SHEETS	SHEET NO.
57	.	..	153	80

STA. 1386+25.00 TO STA. 1386+59.07  
 FED. ROAD DIST. NO. ILLINOIS FED. AID PROJECT

- D5 SAFETY IMPROVEMENT 2007-2
- CHAMPAIGN, COLES, & DOUGLAS

PLOT DATE : 3/30/2007  
 FILE NAME : I:\015\0063\015-0063.dwg  
 PLOT SCALE : 10.5682" = 1"  
 USER NAME : pier-arob

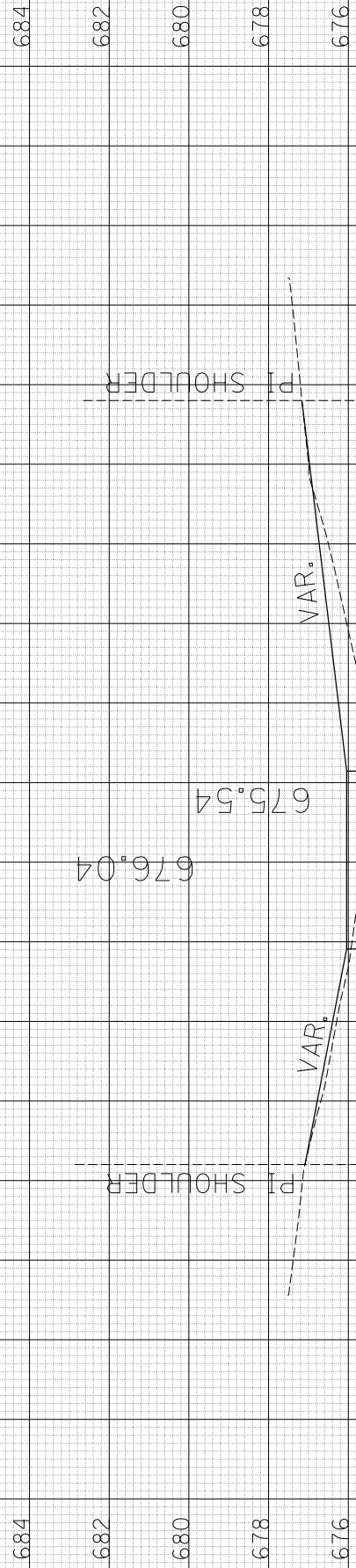
ORIGINAL SURVEY PLOTTED AREAS CHECKED  
 NO. \_\_\_\_\_

FINAL SURVEY PLOTTED AREAS CHECKED  
 NO. \_\_\_\_\_

BY \_\_\_\_\_ DATE \_\_\_\_\_

S.N. 015-0063

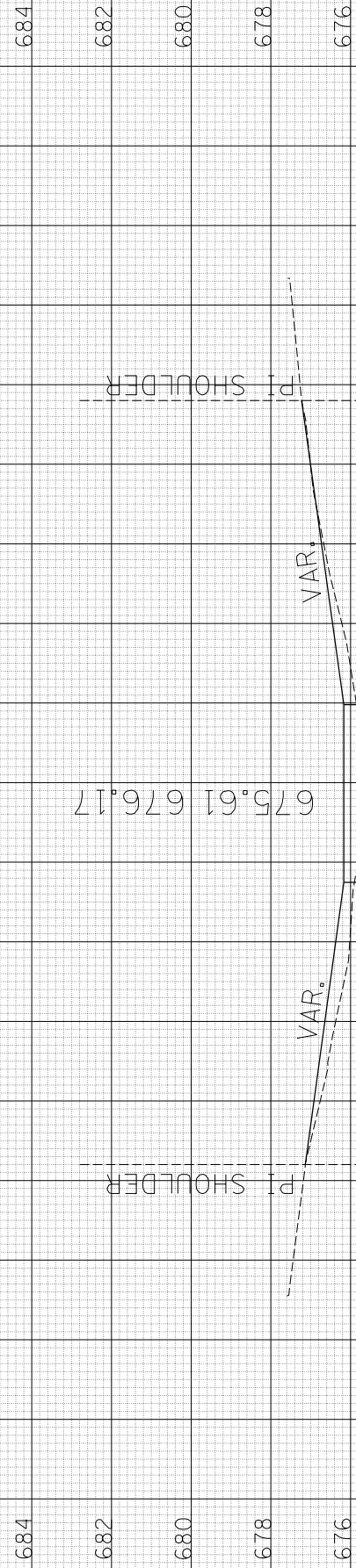
Sheet 4 of 6



1387+25.21

C = 1.31  
F = 1.20

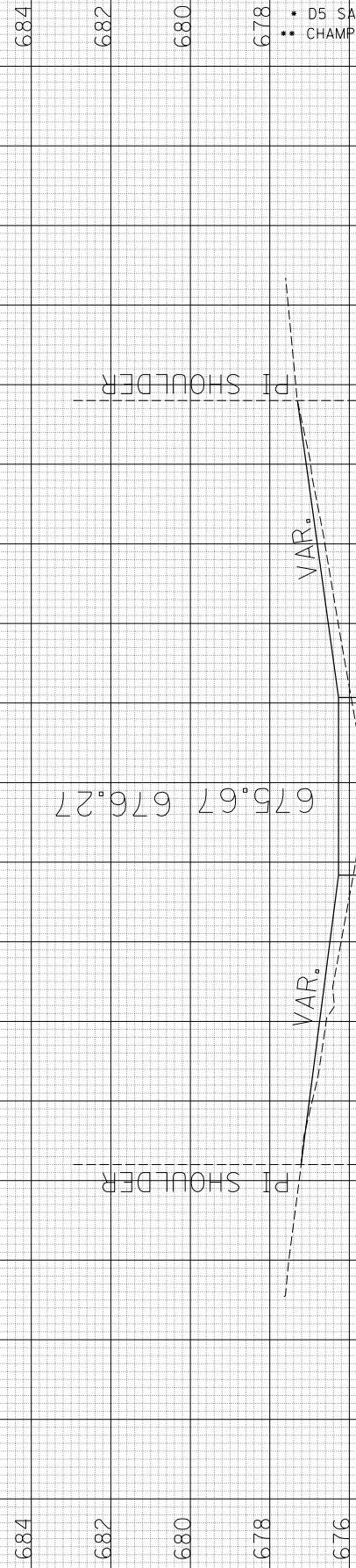
C = 0.10  
F = 7.59



1387+01.51

C = 0.39  
F = 4.37

C = 0.25  
F = 2.33



1386+84.68

C = 0.12  
F = 3.71

C = 0.24  
F = 3.51

F.A.I. RTE.	SECTION	COUNTY	TOTAL SHEETS	SHEET NO.
57	.	..	153	81

STA. 1386+84.68 TO STA. 1387+25.21  
 FED. ROAD DIST. NO. ILLINOIS FED. AID PROJECT  
 • D5 SAFETY IMPROVEMENT 2007-2  
 • CHAMPAIGN, COLES, & DOUGLAS

PLOT DATE : 3/30/2007  
 FILE NAME : I:\015\0063\015-0063.dwg  
 PLOT SCALE : 10.5682 / IN.  
 USER NAME : pier-arob

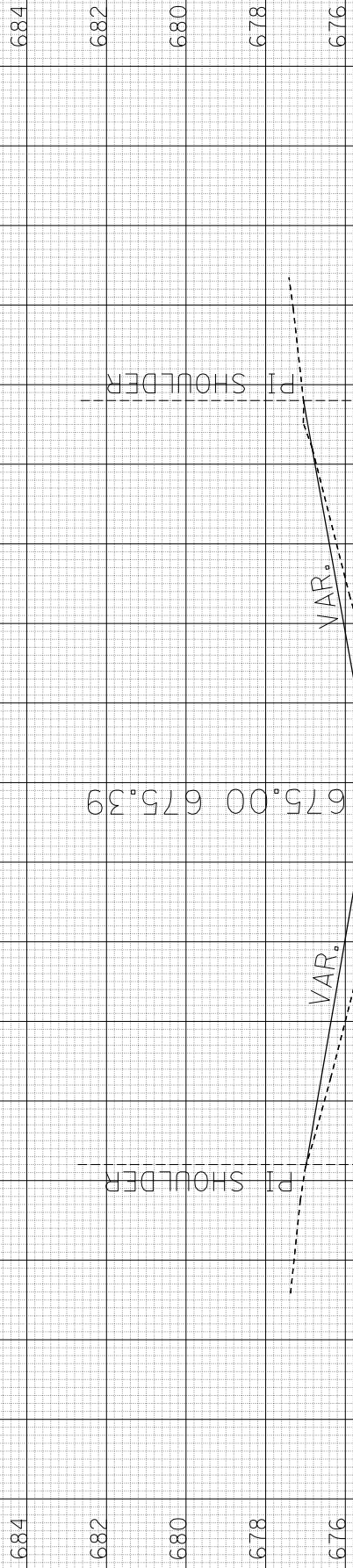
ORIGINAL SURVEYED SURVEY PLOTTED  
 NO. 101500630063  
 AREAS CHECKED

FINAL SURVEY SURVEYED SURVEY PLOTTED  
 NO. 101500630063  
 AREAS CHECKED

BY DATE

S.N. 015-0063

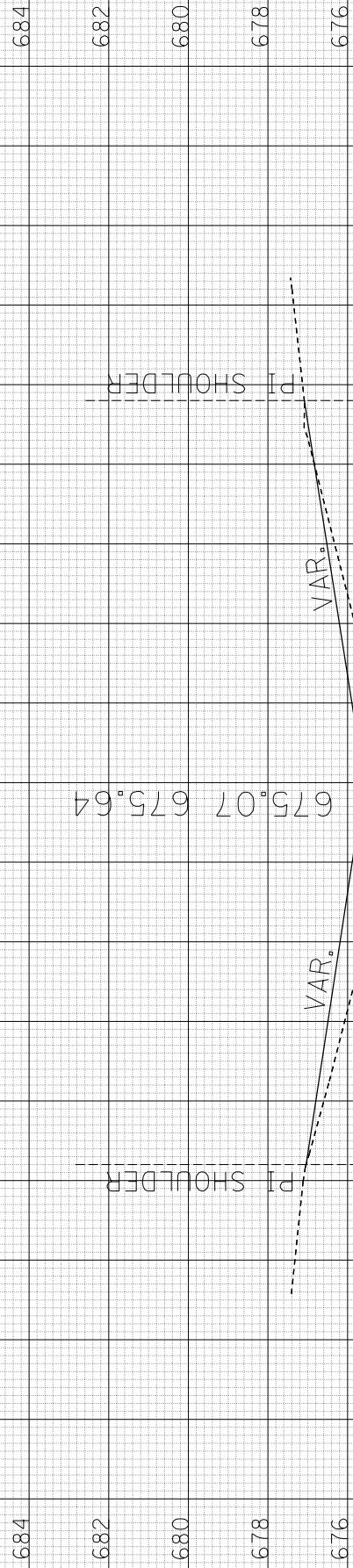
Sheet 5 of 6



1388+00.00

C = 0.00  
F = 9.19

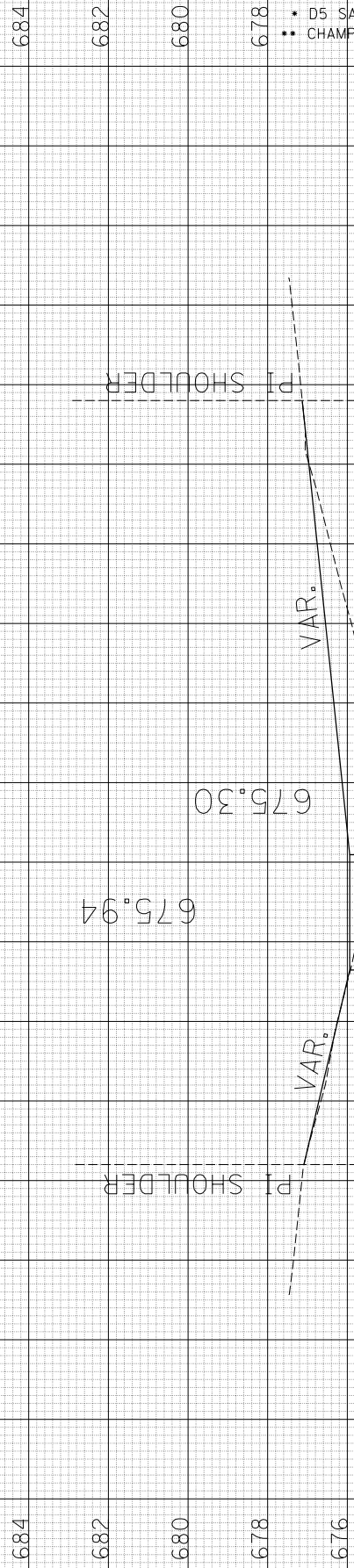
C = 0.16  
F = 6.26



1387+75.00

C = 0.00  
F = 11.25

C = 0.00  
F = 7.43



1387+44.26

C = 1.32  
F = 3.59

C = 0.00  
F = 11.54

F.A.I. RTE.	SECTION	COUNTY	TOTAL SHEETS	SHEET NO.
57	.	..	153	82

STA. 1387+44.26 TO STA. 1388+00.00  
 FED. ROAD DIST. NO. ILLINOIS FED. AID PROJECT  
 \* D5 SAFETY IMPROVEMENT 2007-2  
 \*\* CHAMPAIGN, COLES, & DOUGLAS

CONTRACT NO. 70628

PLOT DATE : 3/30/2007  
FILE NAME : \\s01015.006\proj\14486\14486.dwg  
PLOT SCALE : 10.5682 / IN.  
USER NAME : pier-arob

ORIGINAL SURVEY	DATE
SURVEYED	
PLOTTED	
AREA CHECKED	

FINAL SURVEY	DATE
SURVEYED	
PLOTTED	
AREA CHECKED	

S.N. 015-0063

Sheet 6 of 6

6.84  
6.82  
6.80  
6.78  
6.76

6.84  
6.82  
6.80  
6.78  
6.76

PI SHOULDER

PI SHOULDER

674.64

1389+00.00

MATCH EXISTING SLOPES

C = 0.00  
F = 0.00

C = 0.00  
F = 0.00

6.84  
6.82  
6.80  
6.78  
6.76

6.84  
6.82  
6.80  
6.78  
6.76

PI SHOULDER

PI SHOULDER

674.85 674.85

1388+50.00

VAR.

VAR.

C = 0.00  
F = 4.66

C = 0.09  
F = 3.63

6.84  
6.82  
6.80  
6.78  
6.76

6.84  
6.82  
6.80  
6.78  
6.76

PI SHOULDER

PI SHOULDER

674.93 675.14

1388+25.00

VAR.

VAR.

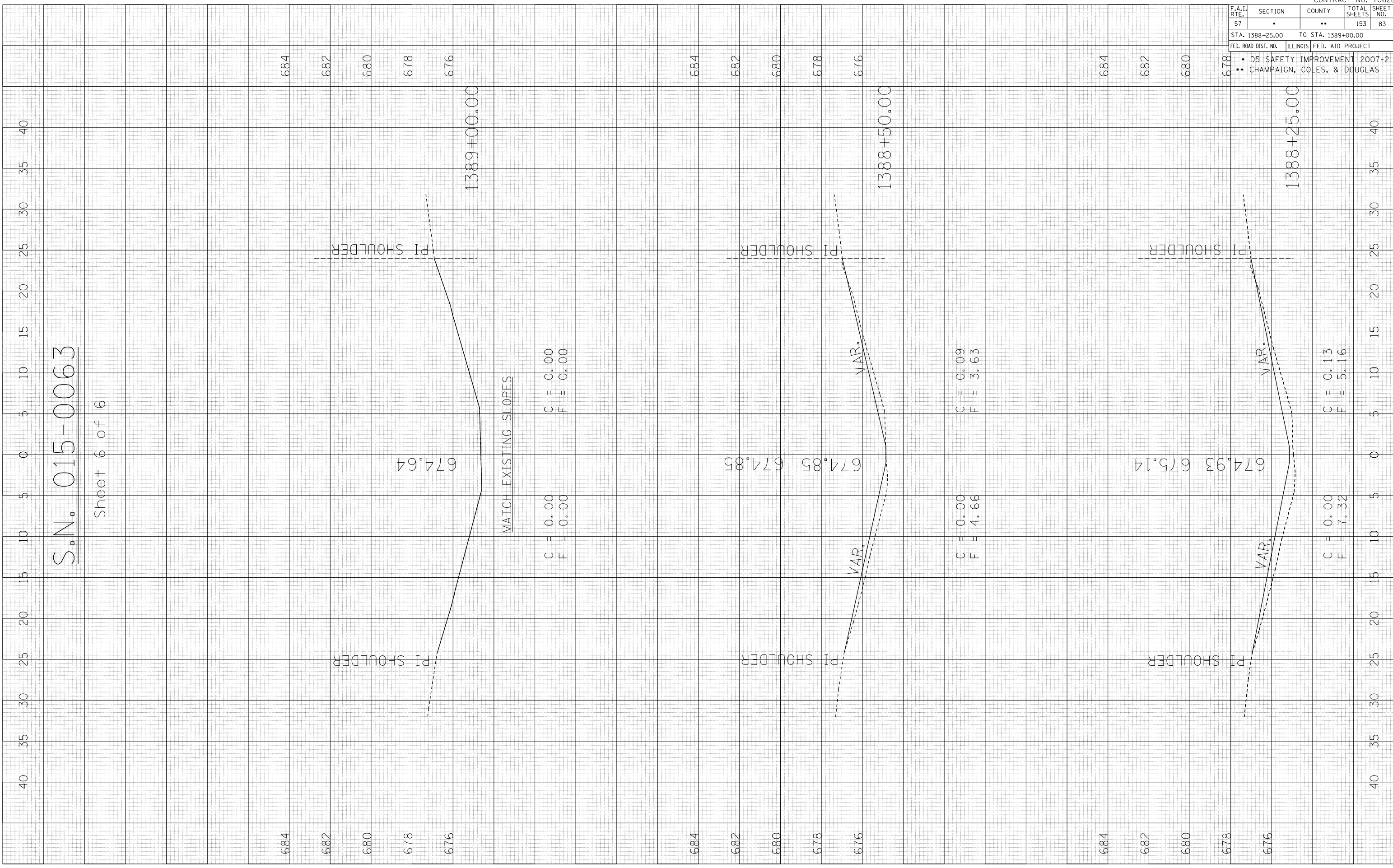
C = 0.00  
F = 7.32

C = 0.13  
F = 5.16

F.A.I. RTE.	SECTION	COUNTY	TOTAL SHEETS	SHEET NO.
57		..	153	83

STA. 1388+25.00 TO STA. 1389+00.00  
FED. ROAD DIST. NO. ILLINOIS FED. AID PROJECT  
• D5 SAFETY IMPROVEMENT 2007-2  
• CHAMPAIGN, COLES, & DOUGLAS

CONTRACT NO. 70628



PLOT DATE : 3/30/2007  
 FILE NAME : I:\1491\1491.dwg  
 PLOT SCALE : 10.5682 / IN.  
 USER NAME : pier-arbr

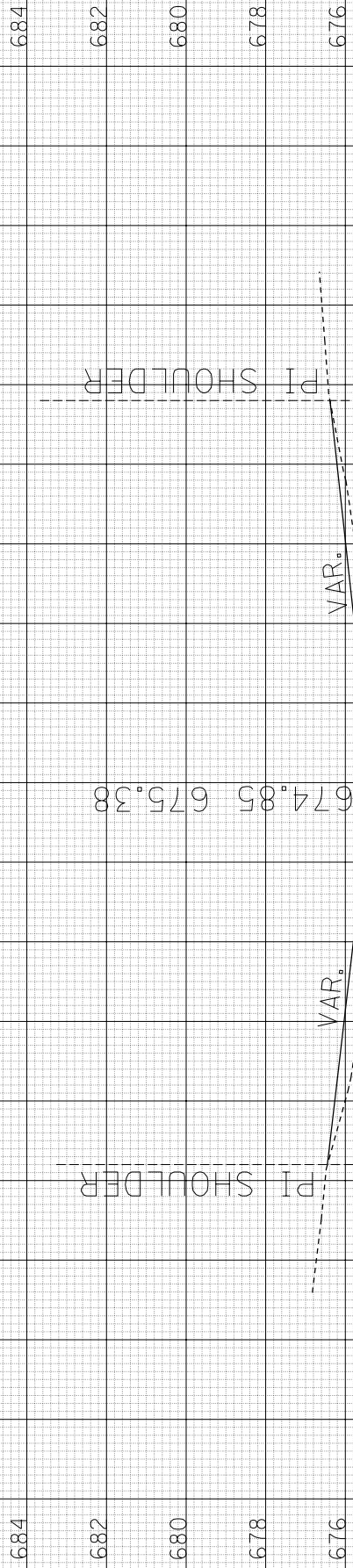
ORIGINAL SURVEYED SURVEY PLOTTED  
 NO. 1021-0024 1021-0024  
 AREAS CHECKED

FINAL SURVEY SURVEYED SURVEY PLOTTED  
 NO. 1021-0024 1021-0024  
 AREAS CHECKED

BY DATE

S.N. 021-0024

Sheet 1 of 5



1491+50.00

C = 0.00  
 F = 6.63

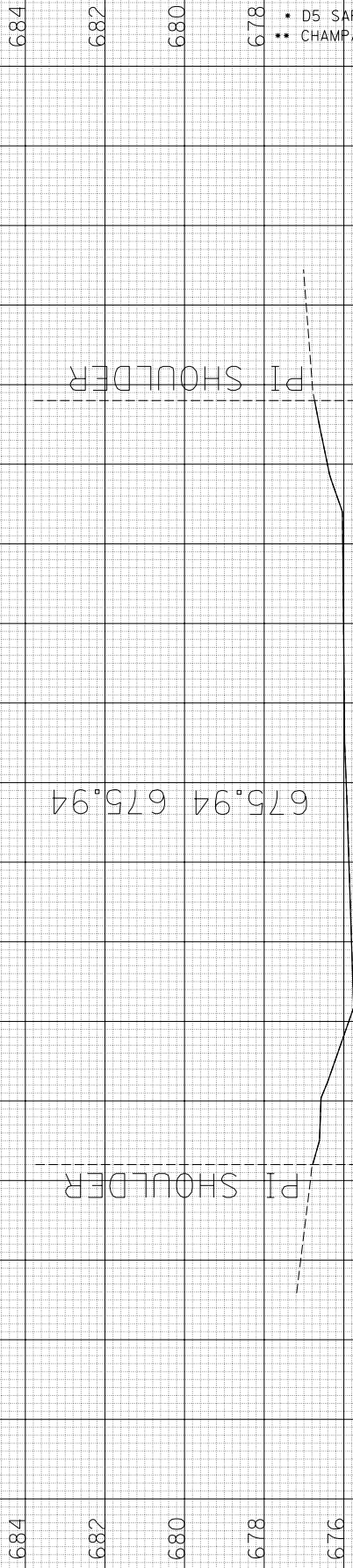
C = 0.00  
 F = 9.44



1491+25.00

C = 0.00  
 F = 3.04

C = 0.00  
 F = 2.58



1491+03.62

C = 0.00  
 F = 0.00

C = 0.00  
 F = 0.00

MATCH EXISTING SLOPES

F.A.I. RTE.	SECTION	COUNTY	TOTAL SHEETS	SHEET NO.
57	.	..	153	84
STA. 1491+03.62		TO STA. 1491+50.00		
FED. ROAD DIST. NO.		ILLINOIS FED. AID PROJECT		
<ul style="list-style-type: none"> <li>• D5 SAFETY IMPROVEMENT 2007-2</li> <li>• CHAMPAIGN, COLES, &amp; DOUGLAS</li> </ul>				

PLOT DATE : 3/30/2007  
 FILE NAME : \\s11021-0021\p11021-0021.dwg  
 PLOT SCALE : 10.5682 / IN.  
 USER NAME : pier-arob

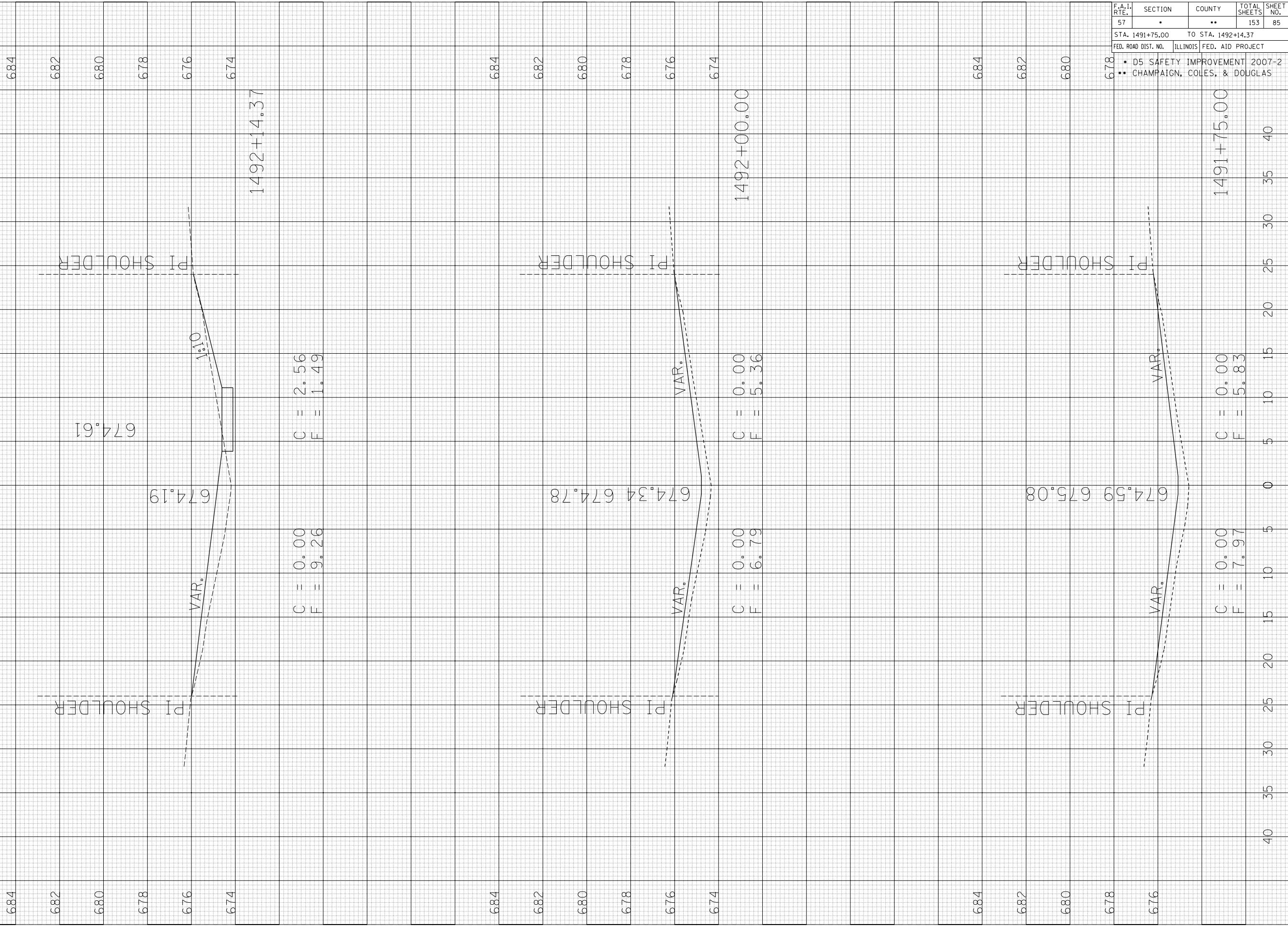
ORIGINAL SURVEYED SURVEY PLOTTED  
 NO. 1015882 AREAS CHECKED

FINAL SURVEY SURVEY PLOTTED  
 NO. 1015882 AREAS CHECKED

BY DATE

S.N. 021-0024

Sheet 2 of 5



F.A.I. RTE.	SECTION	COUNTY	TOTAL SHEETS	SHEET NO.
57	•	••	153	85
STA. 1491+75.00		TO STA. 1492+14.37		
FED. ROAD DIST. NO.		ILLINOIS FED. AID PROJECT		
• D5 SAFETY IMPROVEMENT 2007-2				
•• CHAMPAIGN, COLES, & DOUGLAS				

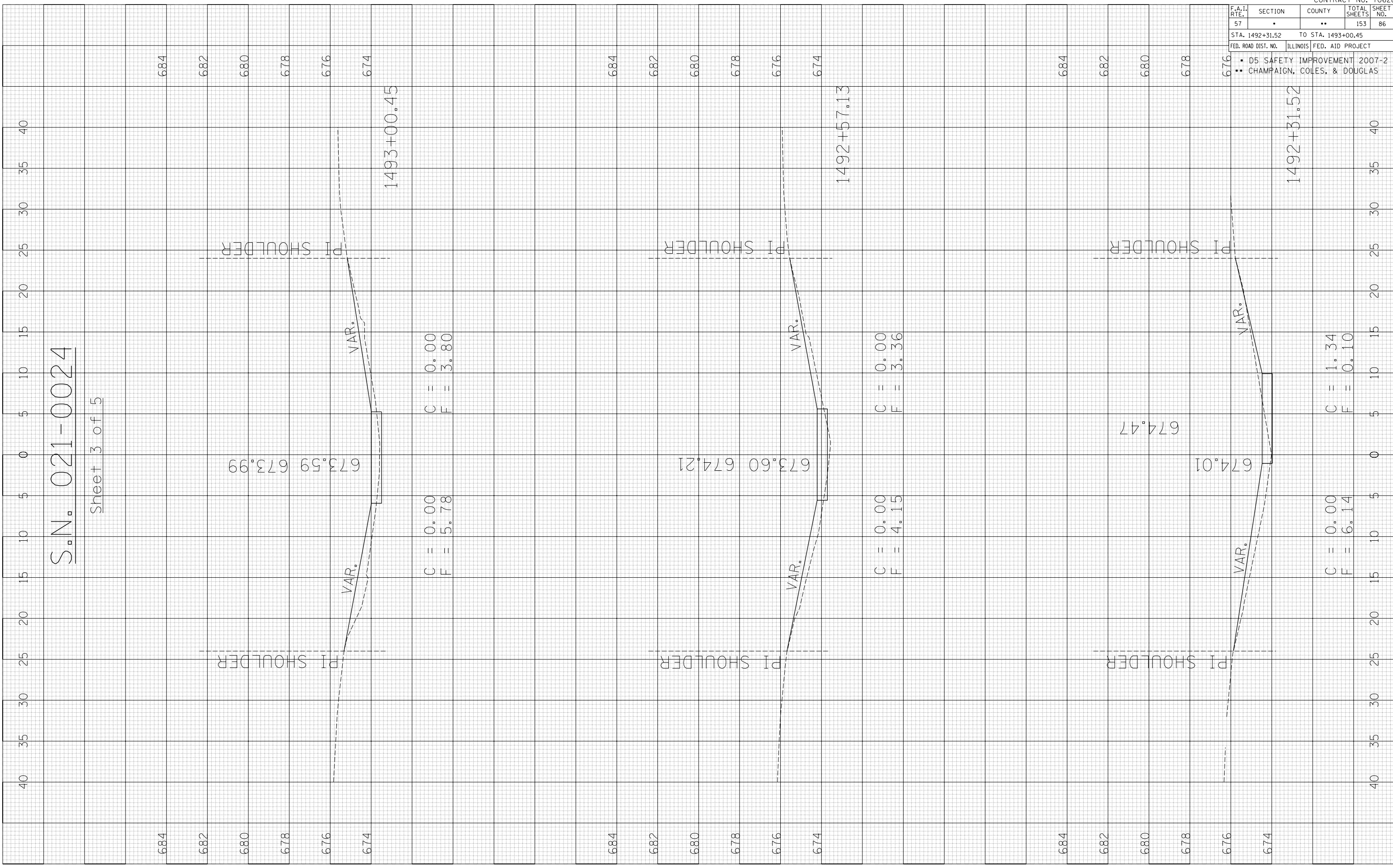
PLOT DATE : 3/30/2007  
 FILE NAME : \\s01\221.002\1493\1496 (4)1493.dwg  
 PLOT SCALE : 10.5682 IN.  
 USER NAME : pier-arbr

ORIGINAL SURVEY NO.	DATE	BY

FINAL SURVEY NO.	DATE	BY

S.N. 021-0024

Sheet 3 of 5



684

682

680

678

676

674

C = 0.00  
F = 5.78

C = 0.00  
F = 3.80

684

682

680

678

676

674

C = 0.00  
F = 4.15

C = 0.00  
F = 3.36

684

682

680

678

676

674

C = 0.00  
F = 6.14

C = 1.34  
F = 0.10

F.A.I. RTE. 57	SECTION •	COUNTY ••	TOTAL SHEETS 153	SHEET NO. 86
STA. 1492+31.52		TO STA. 1493+00.45		
FED. ROAD DIST. NO.		ILLINOIS FED. AID PROJECT		
<ul style="list-style-type: none"> <li>• D5 SAFETY IMPROVEMENT 2007-2</li> <li>•• CHAMPAIGN, COLES, &amp; DOUGLAS</li> </ul>				

CONTRACT NO. 70628

PLOT DATE : 3/30/2007  
FILE NAME : I:\15582\15582.dwg  
PLOT SCALE : 10/5000  
USER NAME : pier-arbr

ORIGINAL SURVEY SURVEYED  
PLOTTED  
DATE  
BY

FINAL SURVEY SURVEYED  
PLOTTED  
DATE  
BY

S.N. 021-0024

Sheet 4 of 5

6.82  
6.80  
6.78  
6.76  
6.74

6.82  
6.80  
6.78  
6.76  
6.74

PI SHOULDER

PI SHOULDER

VAR.

VAR.

1493+50.00

C = 0.00  
F = 12.05

C = 0.00  
F = 8.99

6.82  
6.80  
6.78  
6.76  
6.74

6.82  
6.80  
6.78  
6.76  
6.74

PI SHOULDER

PI SHOULDER

673.75

673.04

1493+43.20

C = 0.00  
F = 12.89

C = 0.00  
F = 12.14

6.82  
6.80  
6.78  
6.76  
6.74

6.82  
6.80  
6.78  
6.76  
6.74

PI SHOULDER

PI SHOULDER

673.87

673.34

1493+24.14

C = 0.00  
F = 4.37

C = 0.00  
F = 8.63

VAR.

VAR.

F.A.I. RTE.	SECTION	COUNTY	TOTAL SHEETS	SHEET NO.
57	.	..	153	87

STA. 1493+24.14 TO STA. 1493+50.00  
FED. ROAD DIST. NO. ILLINOIS FED. AID PROJECT

- D5 SAFETY IMPROVEMENT 2007-2
- CHAMPAIGN, COLES, & DOUGLAS



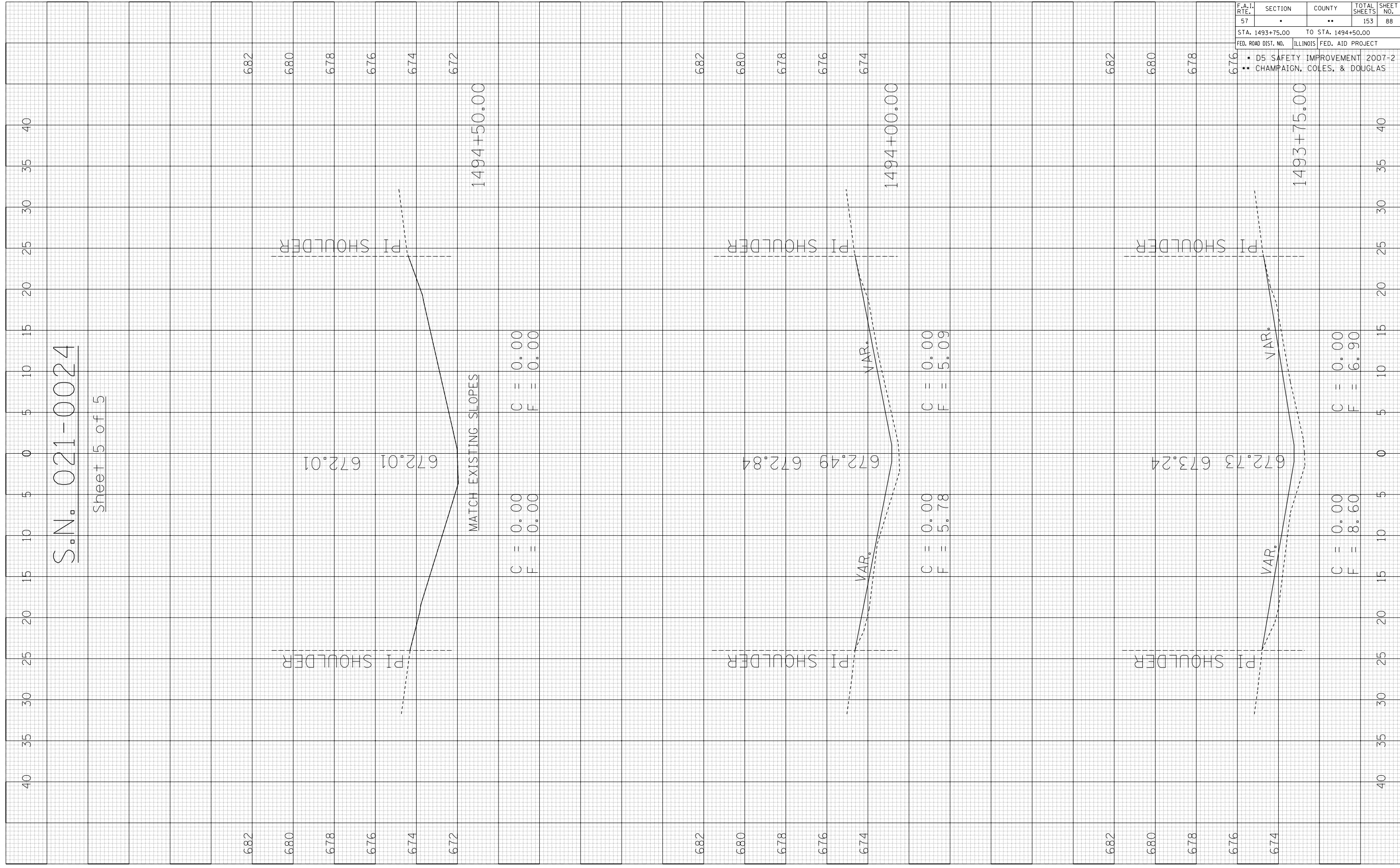
PLOT DATE = 3/30/2007  
 FILE NAME = I:\15582\15582.dwg  
 PLOT SCALE = 10.5582" = 1"  
 USER NAME = pier-arob

ORIGINAL SURVEY	SURVEYED	BY	DATE
NO. _____	NO. _____	_____	____/____/____
PLotted	Plotted		
AREAS CHECKED	AREAS CHECKED		

FINAL SURVEY	SURVEYED	BY	DATE
NO. _____	NO. _____	_____	____/____/____
Plotted	Plotted		
AREAS CHECKED	AREAS CHECKED		

S.N. 021-0024

Sheet 5 of 5



CONTRACT NO. 70628

F.A.I. RTE.	SECTION	COUNTY	TOTAL SHEETS	SHEET NO.
57	•	••	153	88
STA. 1493+75.00		TO STA. 1494+50.00		
FED. ROAD DIST. NO.		ILLINOIS FED. AID PROJECT		
<ul style="list-style-type: none"> <li>• D5 SAFETY IMPROVEMENT 2007-2</li> <li>•• CHAMPAIGN, COLES, &amp; DOUGLAS</li> </ul>				

PLOT DATE : 3/30/2007  
 FILE NAME : \\s11\21-0041\021-0041.dwg  
 PLOT SCALE : 10.5682 / IN.  
 USER NAME : pier-arob

ORIGINAL SURVEYED SURVEY PLOTTED  
 NO. 1015682 AREAS CHECKED

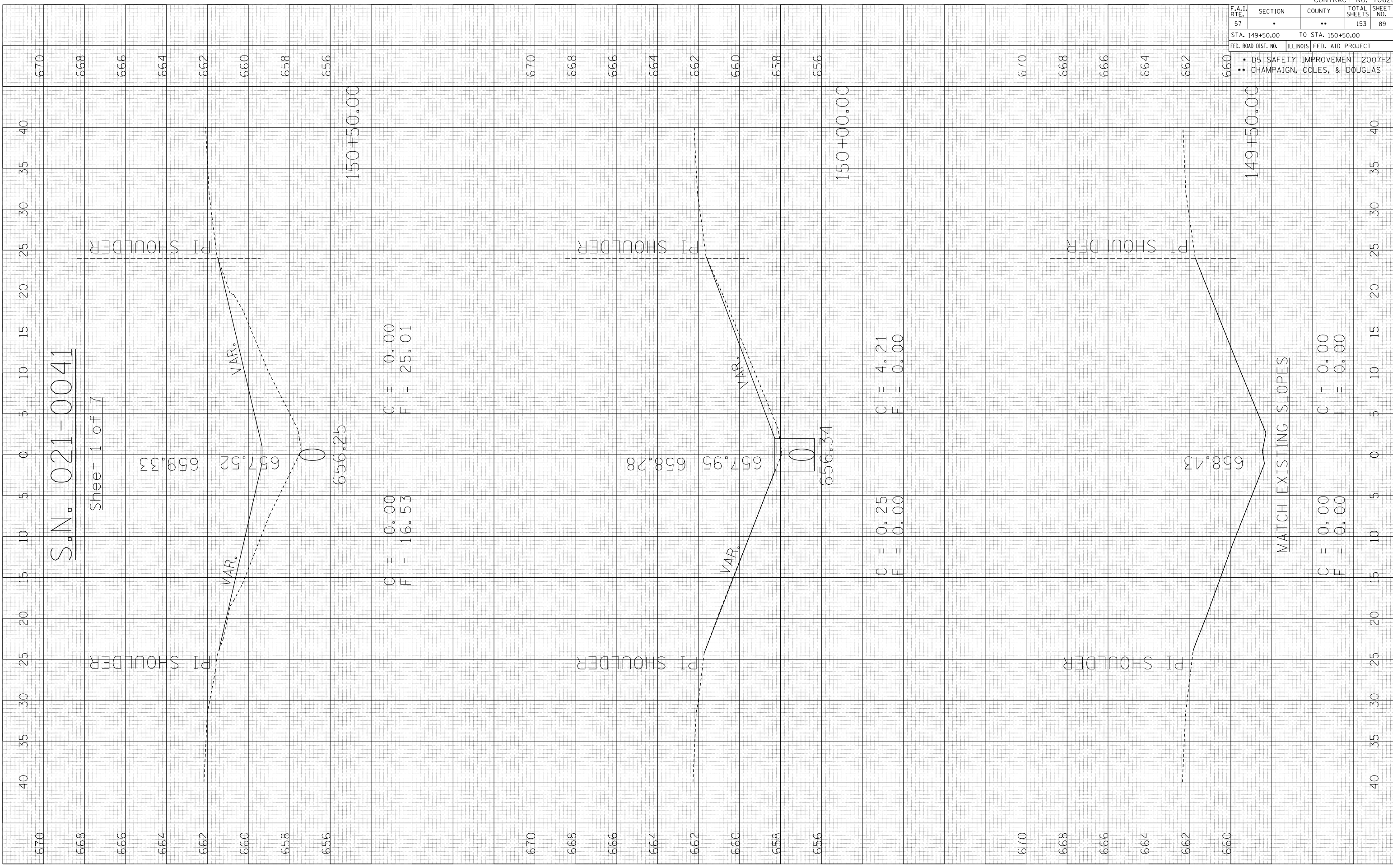
FINAL SURVEY SURVEYED SURVEY PLOTTED  
 NO. 1015682 AREAS CHECKED

BY \_\_\_\_\_ DATE \_\_\_\_\_

F.A.I. RTE.	SECTION	COUNTY	TOTAL SHEETS	SHEET NO.
57	.	..	153	89

STA. 149+50.00 TO STA. 150+50.00  
 FED. ROAD DIST. NO. ILLINOIS FED. AID PROJECT

- D5 SAFETY IMPROVEMENT 2007-2
- CHAMPAIGN, COLES, & DOUGLAS



S.N. 021-0041

Sheet 1 of 7

657.52  
659.33

656.25

C = 0.00  
F = 16.53

C = 0.00  
F = 25.01

657.95  
658.28

656.34

C = 0.25  
F = 0.00

C = 4.21  
F = 0.00

658.42

MATCH EXISTING SLOPES

C = 0.00  
F = 0.00

C = 0.00  
F = 0.00

150+50.00

150+00.00

149+50.00

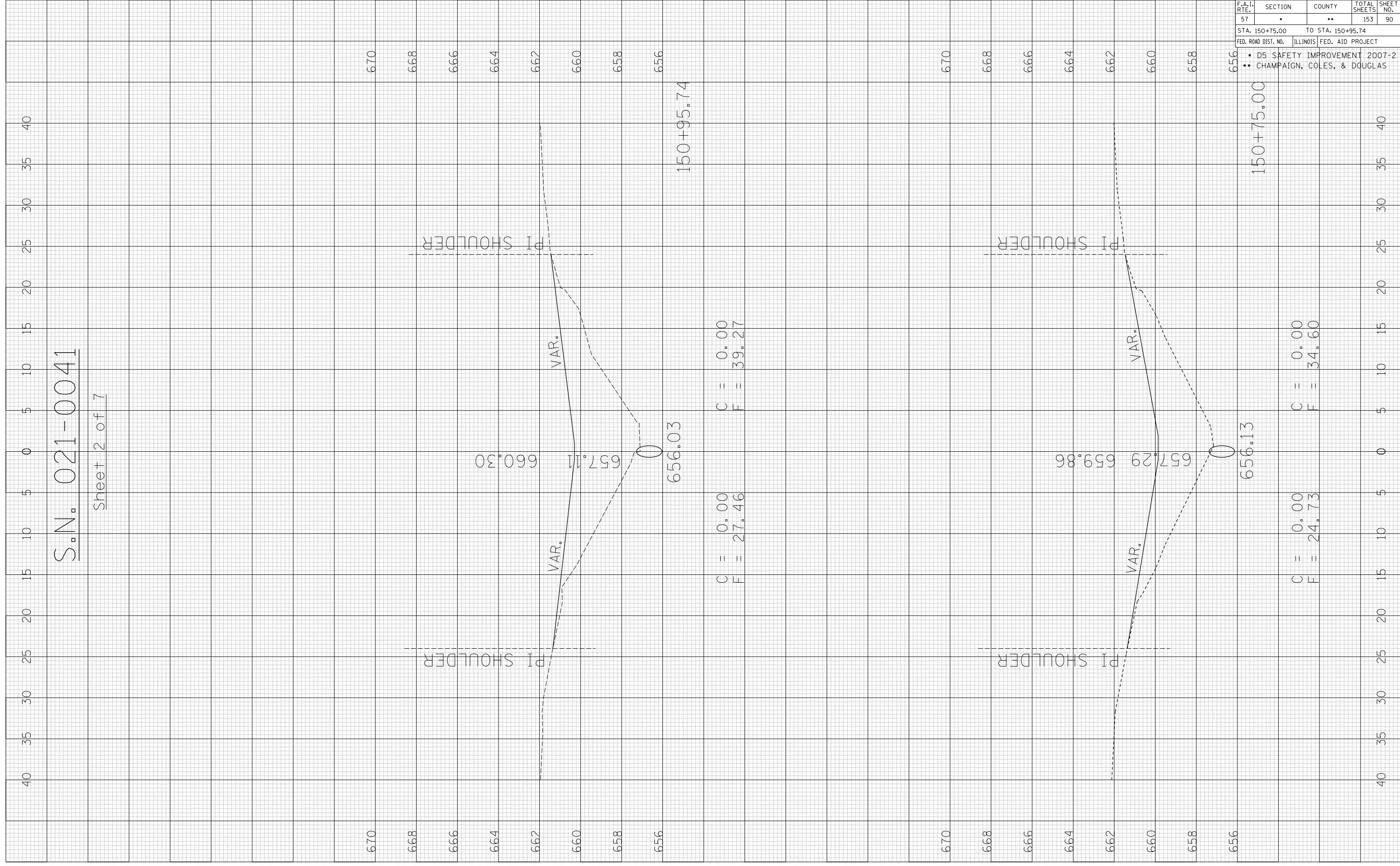
PLOT DATE : 3/30/2007  
 FILE NAME : \\s11\p14486 (4)\121-0041\121-0041.dwg  
 PLOT SCALE : 10:5000  
 USER NAME : pier-arob

ORIGINAL SURVEY NO.	DATE	BY

FINAL SURVEY NO.	DATE	BY

S.N. 021-0041

Sheet 2 of 7



F.A.I. RTE.	SECTION	COUNTY	TOTAL SHEETS	SHEET NO.
57	.	..	153	90

STA. 150+75.00 TO STA. 150+95.74  
 FED. ROAD DIST. NO. ILLINOIS FED. AID PROJECT

- D5 SAFETY IMPROVEMENT 2007-2
- CHAMPAIGN, COLES, & DOUGLAS

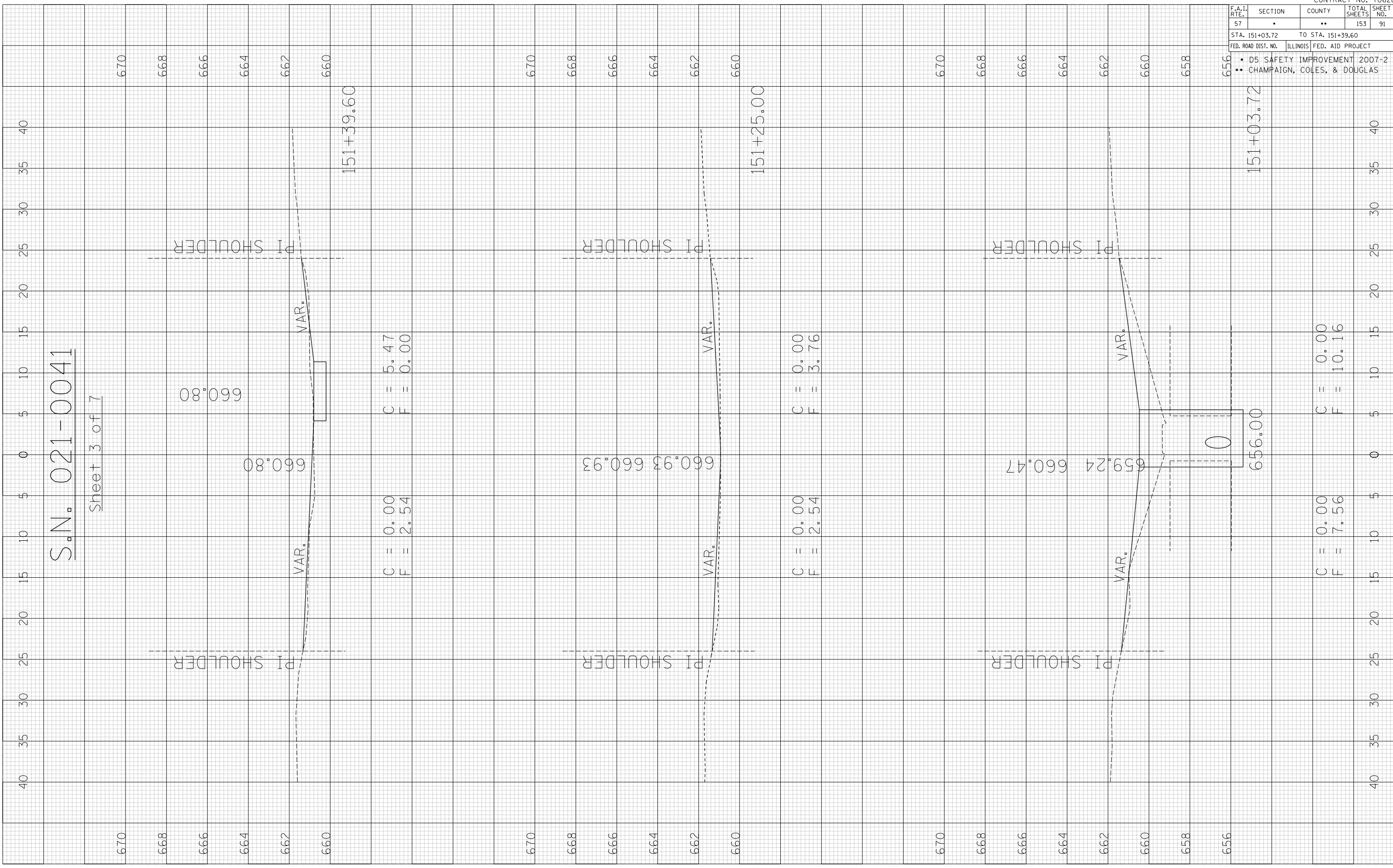
PLOT DATE : 3/30/2007  
 FILE NAME : \\s11\plott\44061\01\021-0041\01\021-0041.dwg  
 PLOT SCALE : 10:500  
 USER NAME : pier-arob

ORIGINAL SURVEY SURVEYED SURVEY PLOTTED PLOTTED  
 NO. NO. NO. NO. NO. NO.  
 AREAS CHECKED AREAS CHECKED

FINAL SURVEY SURVEYED SURVEYED SURVEYED  
 NO. NO. NO. NO. NO. NO.  
 AREAS CHECKED AREAS CHECKED AREAS CHECKED AREAS CHECKED

CONTRACT NO. 70628

F.A.I. RTE.	SECTION	COUNTY	TOTAL SHEETS	SHEET NO.
57			153	91
STA. 151+03.72		TO STA. 151+39.60		
FED. ROAD DIST. NO.		ILLINOIS FED. AID PROJECT		
<ul style="list-style-type: none"> <li>D5 SAFETY IMPROVEMENT 2007-2</li> <li>CHAMPAIGN, COLES, &amp; DOUGLAS</li> </ul>				



PLOT DATE : 3/30/2007  
 FILE NAME : \\s1101\21-0041\4486 (4)1\21-0041\4486.dwg  
 PLOT SCALE : 10:500  
 USER NAME : pier-arob

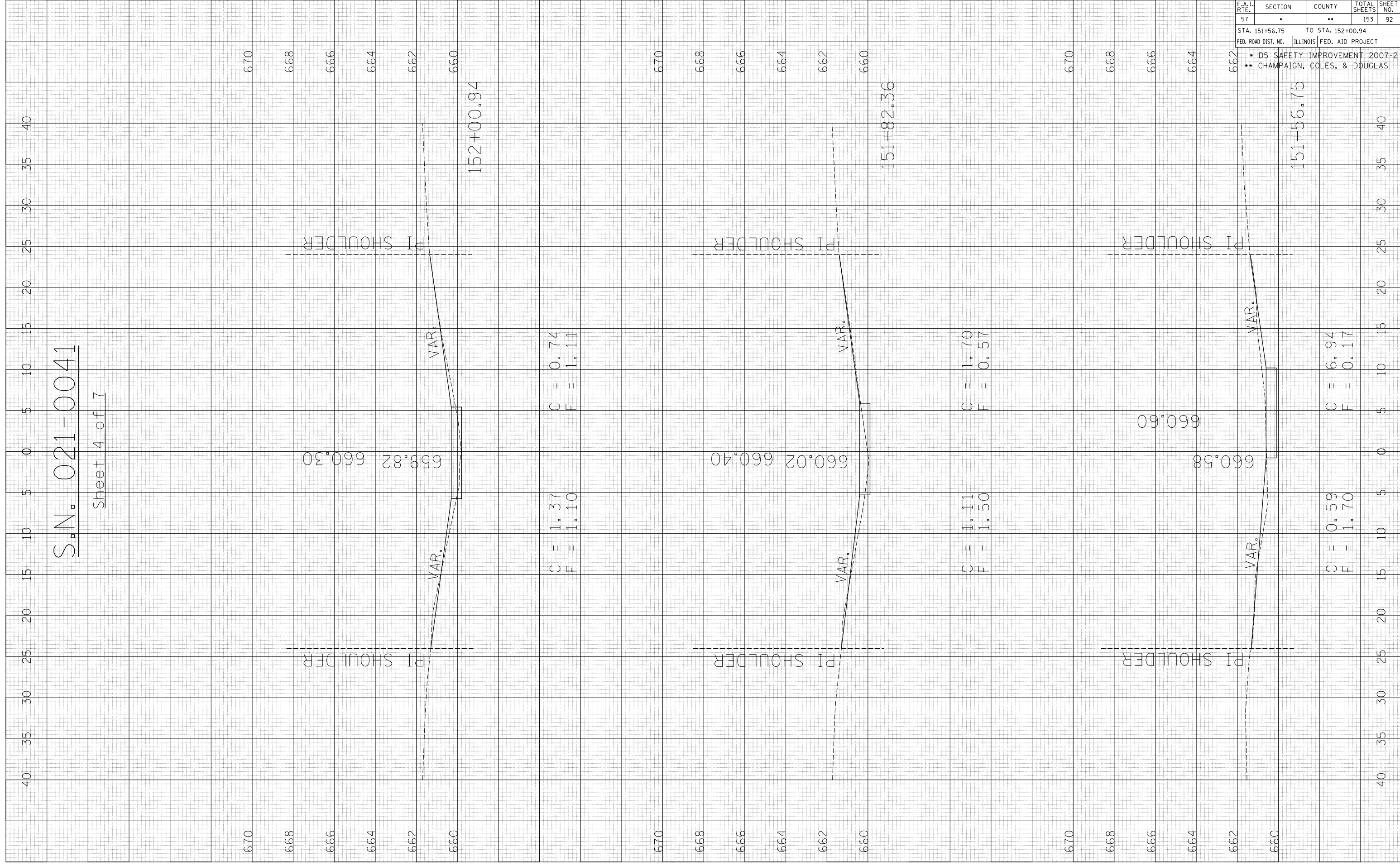
ORIGINAL SURVEY PLOTTED AREAS CHECKED  
 NO. \_\_\_\_\_

FINAL SURVEY PLOTTED AREAS CHECKED  
 NO. \_\_\_\_\_

BY \_\_\_\_\_ DATE \_\_\_\_\_

S.N. 021-0041

Sheet 4 of 7



F.A.I. RTE.	SECTION	COUNTY	TOTAL SHEETS	SHEET NO.
57	.	..	153	92
STA. 151+56.75		TO STA. 152+00.94		
FED. ROAD DIST. NO.		ILLINOIS FED. AID PROJECT		
<ul style="list-style-type: none"> <li>• D5 SAFETY IMPROVEMENT 2007-2</li> <li>• CHAMPAIGN, COLES, &amp; DOUGLAS</li> </ul>				

PLOT DATE : 3/30/2007  
 FILE NAME : \\s11021.004\448614486 (4)\1021.004\1021.004.dwg  
 PLOT SCALE : 10.5682 / IN.  
 USER NAME : pier-arob

ORIGINAL SURVEY PLOTTED AREAS CHECKED  
 NO. \_\_\_\_\_

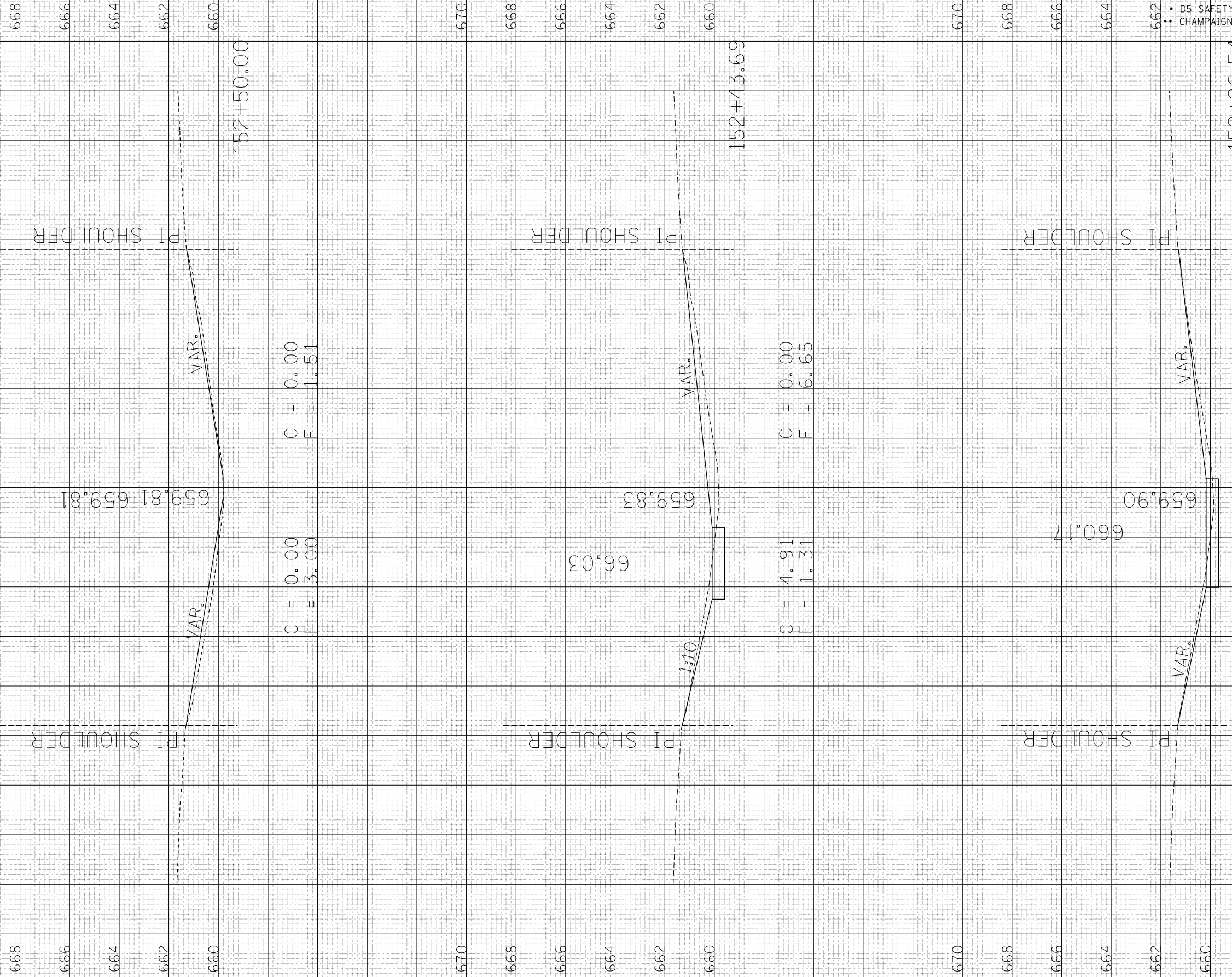
BY \_\_\_\_\_ DATE \_\_\_\_\_

FINAL SURVEY PLOTTED AREAS CHECKED  
 NO. \_\_\_\_\_

S.N. 021-0041

Sheet 5 of 7

6.70 6.68 6.66 6.64 6.62 6.60 6.70 6.68 6.66 6.64 6.62 6.60 6.70 6.68 6.66 6.64 6.62 6.60 6.70 6.68 6.66 6.64 6.62 6.60 6.70 6.68 6.66 6.64 6.62 6.60



F.A.I. RTE.	SECTION	COUNTY	TOTAL SHEETS	SHEET NO.
57	•	••	153	93
STA. 152+26.54		TO STA. 152+50.00		
FED. ROAD DIST. NO.		ILLINOIS FED. AID PROJECT		
• D5 SAFETY IMPROVEMENT 2007-2				
•• CHAMPAIGN, COLES, & DOUGLAS				

CONTRACT NO. 70628

40 35 30 25 20 15 10 5 0 5 10 15 20 25 30 35 40

152+50.00

152+43.69

152+26.54

C = 0.00  
F = 1.51

C = 0.00  
F = 3.00

C = 0.00  
F = 6.65

C = 4.91  
F = 1.31

C = 0.22  
F = 2.58

C = 4.56  
F = 1.11

66.03

659.81 659.81

659.83

660.17

659.90

PI SHOULDER

PI SHOULDER

PI SHOULDER

VAR.

VAR.

VAR.

1:10

VAR.

VAR.

PLOT DATE : 3/30/2007  
 FILE NAME : \\s11021-0041\p14406 (4)1\21-0041\PIE-660.dwg  
 PLOT SCALE : 10.5682 / IN.  
 USER NAME : pier-arob-

ORIGINAL SURVEY SURVEYED PLOTTED  
 NO. DATE BY

FINAL SURVEY SURVEYED PLOTTED  
 NO. DATE BY

S.N. 021-0041

Sheet 6 of 7

6.70

6.68

6.66

6.64

6.62

6.60

C = 0.00  
 F = 11.53

C = 0.00  
 F = 10.83

6.70

6.68

6.66

6.64

6.62

6.60

C = 0.00  
 F = 6.18

C = 0.00  
 F = 6.68

6.70

6.68

6.66

6.64

6.62

6.60

C = 0.09  
 F = 3.45

C = 0.12  
 F = 3.54

PI SHOULDER

PI SHOULDER

VAR.

VAR.

153+50.00

PI SHOULDER

PI SHOULDER

VAR.

VAR.

153+00.00

PI SHOULDER

PI SHOULDER

152+75.00

659.75 659.68

658.81 659.21

659.44 659.55

- D5 SAFETY IMPROVEMENT 2007-2
- CHAMPAIGN, COLES, & DOUGLAS

F.A.I. RTE.	SECTION	COUNTY	TOTAL SHEETS	SHEET NO.
57	•	••	153	94

STA. 152+75.00 TO STA. 153+50.00  
 FED. ROAD DIST. NO. ILLINOIS FED. AID PROJECT

CONTRACT NO. 70628

PLOT DATE : 3/30/2007  
 FILE NAME : \\s11021-0041\p14406 (4)1\21-0041.dwg  
 PLOT SCALE : 10.5682 / IN.  
 USER NAME : pier-arbr

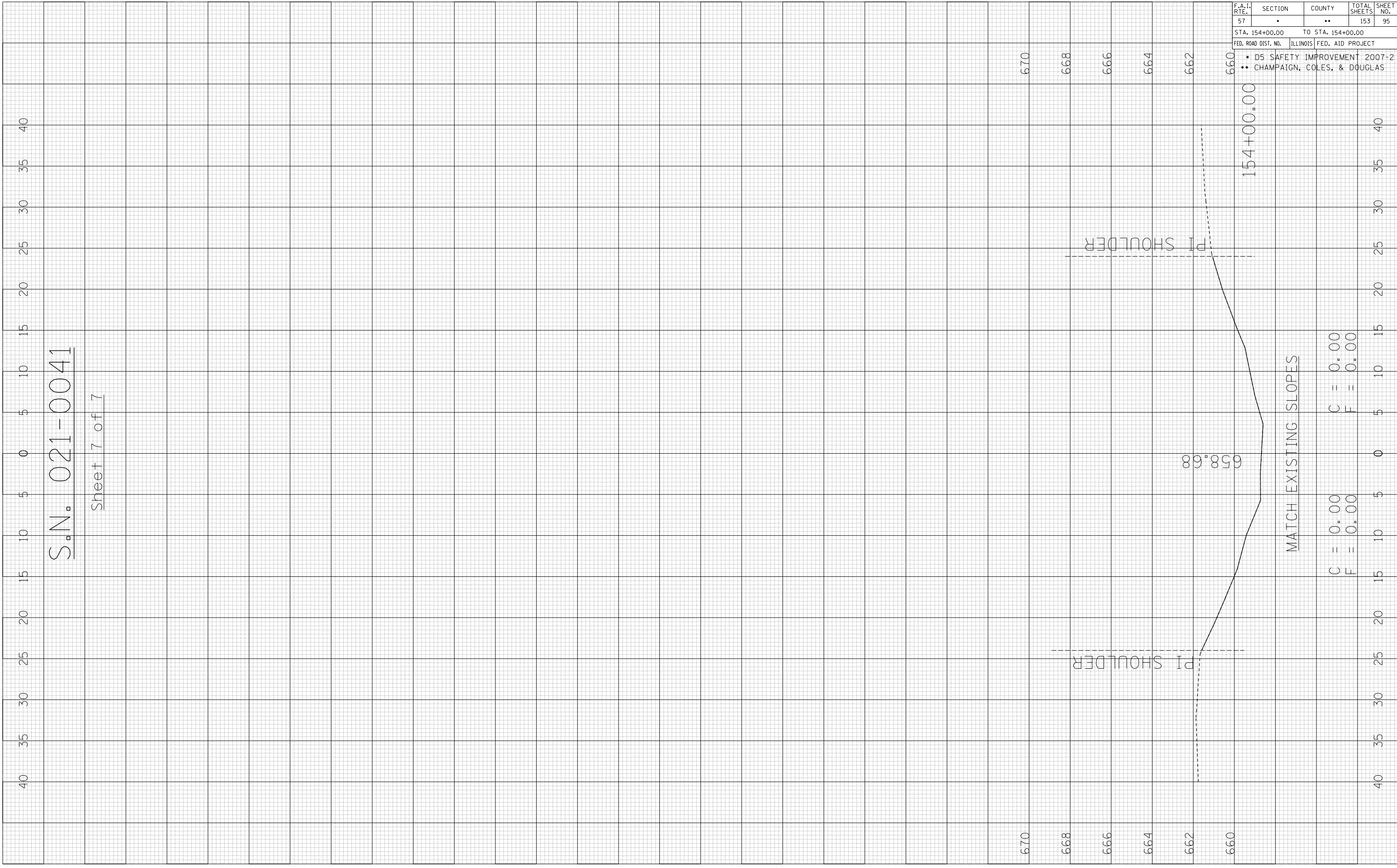
ORIGINAL SURVEY NO.	DATE	BY

FINAL SURVEY NO.	DATE	BY

SURVEYED PLOTTED  
 NO. OF BOOK AREAS CHECKED

S.N. 021-0041

Sheet 7 of 7



670  
668  
666  
664  
662  
660

670  
668  
666  
664  
662  
660

154+00.00

MATCH EXISTING SLOPES

C = 0.00  
F = 0.00

C = 0.00  
F = 0.00

F.A.I. RTE.	SECTION	COUNTY	TOTAL SHEETS	SHEET NO.
57	.	..	153	95

STA. 154+00.00 TO STA. 154+00.00  
 FED. ROAD DIST. NO. ILLINOIS FED. AID PROJECT

- D5 SAFETY IMPROVEMENT 2007-2
- CHAMPAIGN, COLES, & DOUGLAS

CONTRACT NO. 70628



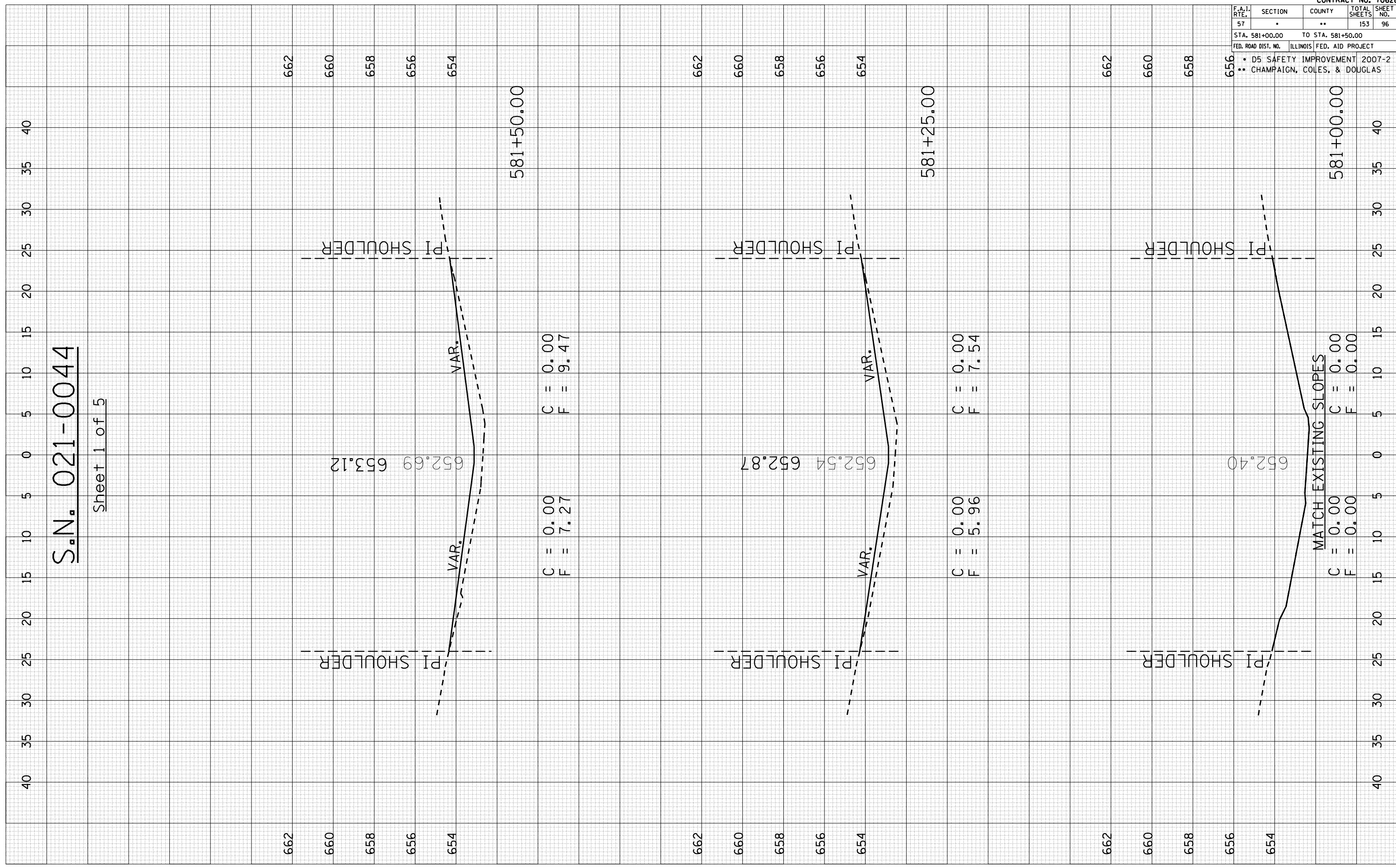
PLOT DATE : 3/30/2007  
 PLOT NAME : 1015582  
 PLOT SCALE : 10.5582 / IN.  
 USER NAME : pte-sorbr-

ORIGINAL SURVEY	SURVEYED	BY	DATE
SURVEY	SURVEY		
NO. 021-0044	NO. 021-0044		
PLANNED	PLANNED		
AREAS CHECKED	AREAS CHECKED		

FINAL SURVEY	SURVEYED	BY	DATE
SURVEY	SURVEY		
NO. 021-0044	NO. 021-0044		
PLANNED	PLANNED		
AREAS CHECKED	AREAS CHECKED		

# S.N. 021-0044

Sheet 1 of 5



F.A.I. RTE.	SECTION	COUNTY	TOTAL SHEETS	SHEET NO.
57		**	153	96
STA. 581+00.00		TO STA. 581+50.00		
FED. ROAD DIST. NO.		ILLINOIS FED. AID PROJECT		
		• D5 SAFETY IMPROVEMENT 2007-2		
		•• CHAMPAIGN, COLES, & DOUGLAS		

PLOT DATE : 3/30/2007  
 PLOT NAME : 1015082  
 PLOT SCALE : 10.5082  
 USER NAME : pier-arob-

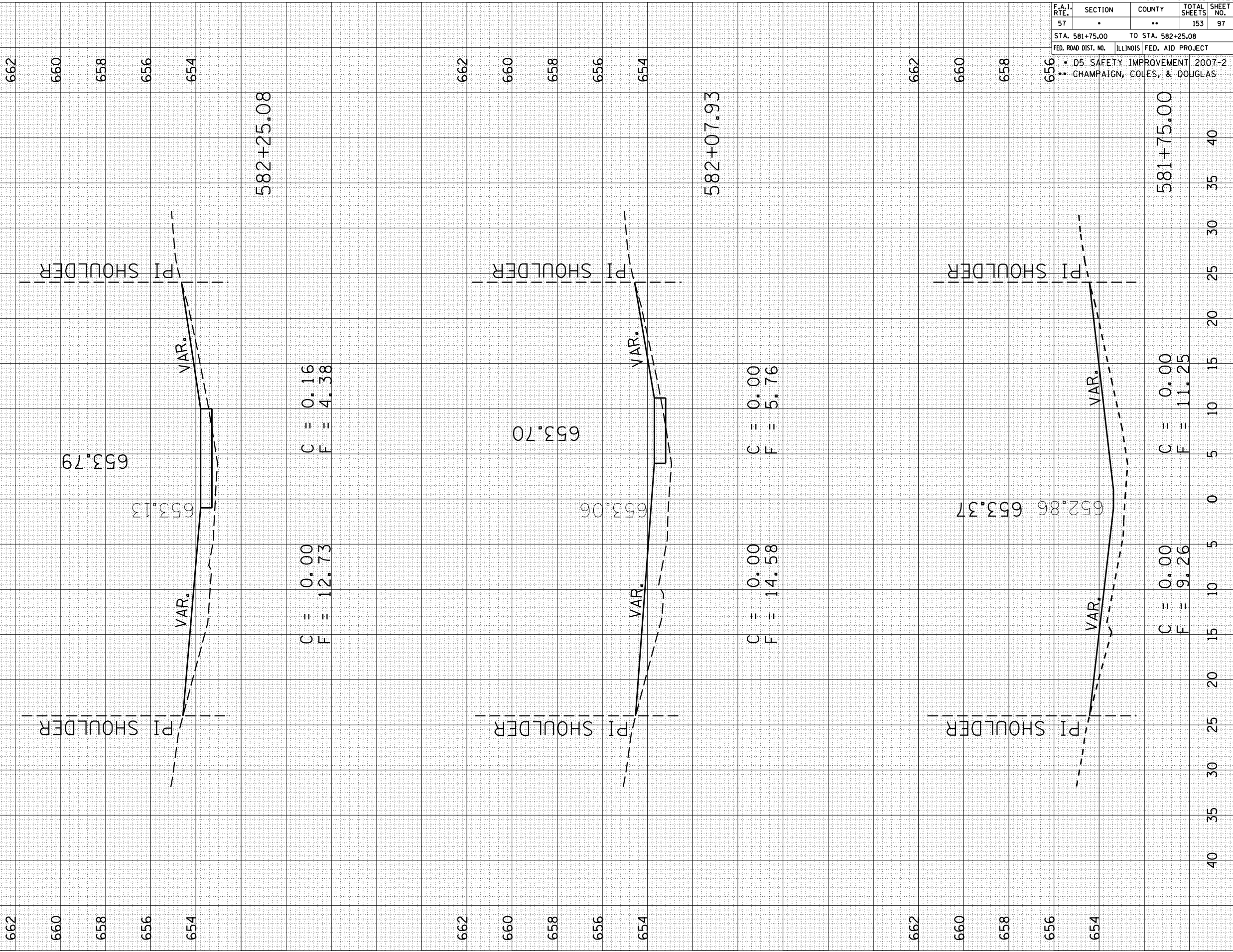
ORIGINAL SURVEYED SURVEY PLOTTED  
 NO. AREAS CHECKED

FINAL SURVEY SURVEYED SURVEY PLOTTED  
 NO. AREAS CHECKED

BY DATE

S.N. 021-0044

Sheet 2 of 5



F.A.I. RTE.	SECTION	COUNTY	TOTAL SHEETS	SHEET NO.
57	.	..	153	97
STA. 581+75.00		TO STA. 582+25.08		
FED. ROAD DIST. NO. ILLINOIS FED. AID PROJECT				
* D5 SAFETY IMPROVEMENT 2007-2				
** CHAMPAIGN, COLES, & DOUGLAS				

PLOT DATE : 3/30/2007  
 PLOT NAME : 1015082  
 PLOT SCALE : 10.5082  
 USER NAME : pier-arob-

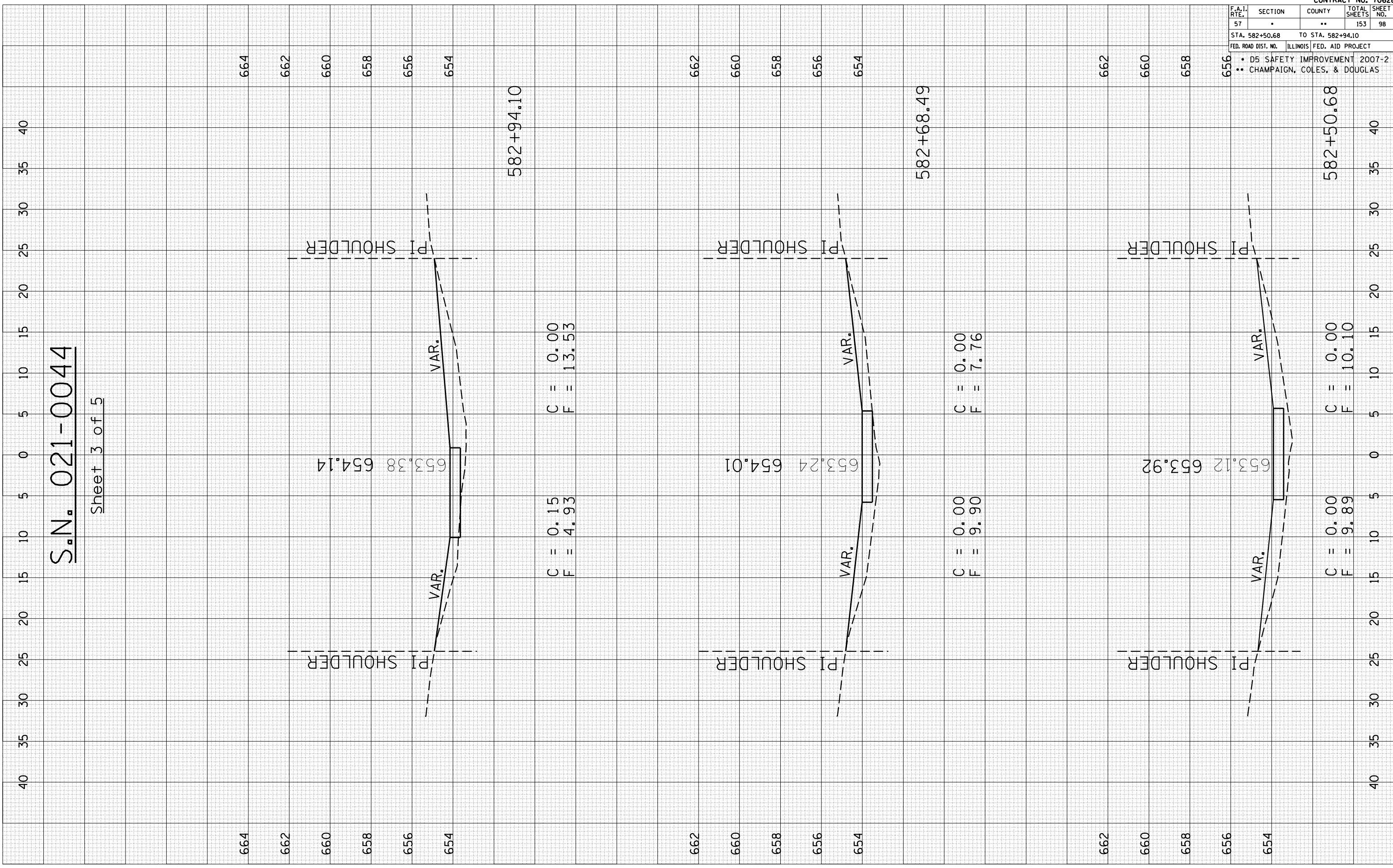
ORIGINAL SURVEYED SURVEY PLOTTED  
 NO. AREAS CHECKED

FINAL SURVEY SURVEYED SURVEY PLOTTED  
 NO. AREAS CHECKED

BY DATE

S.N. 021-0044

Sheet 3 of 5



F.A.I. RTE.	SECTION	COUNTY	TOTAL SHEETS	SHEET NO.
57	.	..	153	98
STA. 582+50.68		TO STA. 582+94.10		
FED. ROAD DIST. NO. ILLINOIS FED. AID PROJECT				
• D5 SAFETY IMPROVEMENT 2007-2				
•• CHAMPAIGN, COLES, & DOUGLAS				

CONTRACT NO. 70628

PLOT DATE : 3/30/2007  
 PLOT NAME : 1015082  
 PLOT SCALE : 10:5000  
 USER NAME : pier-arb

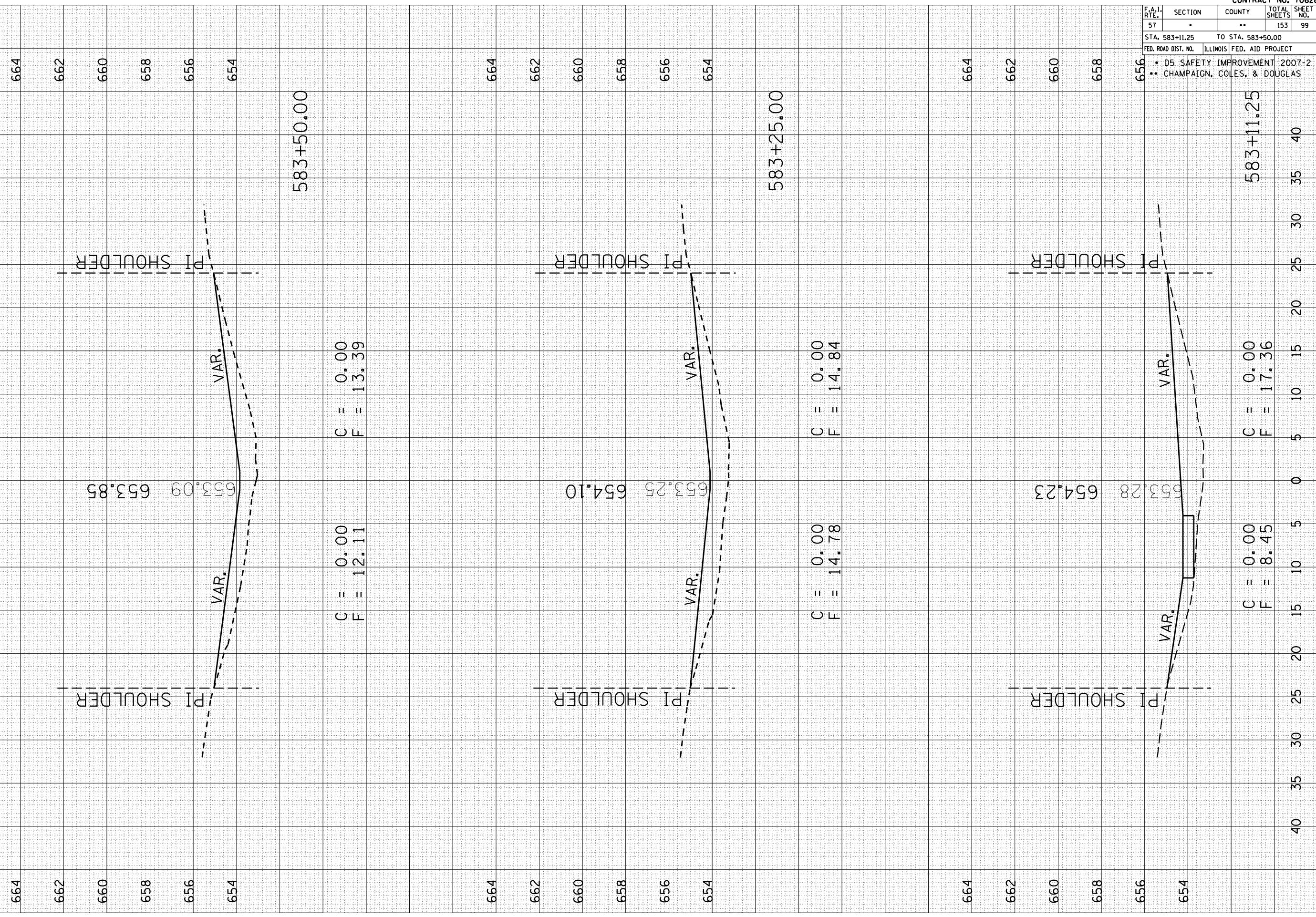
ORIGINAL SURVEYED SURVEY PLOTTED  
 NO. AREAS CHECKED

FINAL SURVEY SURVEYED SURVEY PLOTTED  
 NO. AREAS CHECKED

BY DATE

S.N. 021-0044

Sheet 4 of 5



F.A.I. RTE.	SECTION	COUNTY	TOTAL SHEETS	SHEET NO.
57	.	..	153	99
STA. 583+11.25		TO STA. 583+50.00		
FED. ROAD DIST. NO.		ILLINOIS FED. AID PROJECT		
<ul style="list-style-type: none"> <li>D5 SAFETY IMPROVEMENT 2007-2</li> <li>CHAMPAIGN, COLES, &amp; DOUGLAS</li> </ul>				

CONTRACT NO. 70628

PLOT DATE : 3/30/2007  
 PLOT NAME : 1015082  
 PLOT SCALE : 10.5082  
 USER NAME : pier-arob-

ORIGINAL SURVEYED SURVEY PLOTTED  
 NO. AREAS CHECKED

FINAL SURVEY SURVEYED SURVEY PLOTTED  
 NO. AREAS CHECKED

BY DATE

S.N. 021-0044

Sheet 5 of 5

MATCH EXISTING SLOPES

C = 0.00  
 F = 0.00

C = 0.00  
 F = 4.64

C = 0.00  
 F = 10.55

C = 0.00  
 F = 8.06

C = 0.00  
 F = 12.68

F.A.I. RTE.	SECTION	COUNTY	TOTAL SHEETS	SHEET NO.
57	.	..	153	100

CONTRACT NO. 70628

STA. 583+75.00 TO STA. 584+50.00

FED. ROAD DIST. NO. ILLINOIS FED. AID PROJECT

\* D5 SAFETY IMPROVEMENT 2007-2  
 \*\* CHAMPAIGN, COLES, & DOUGLAS

