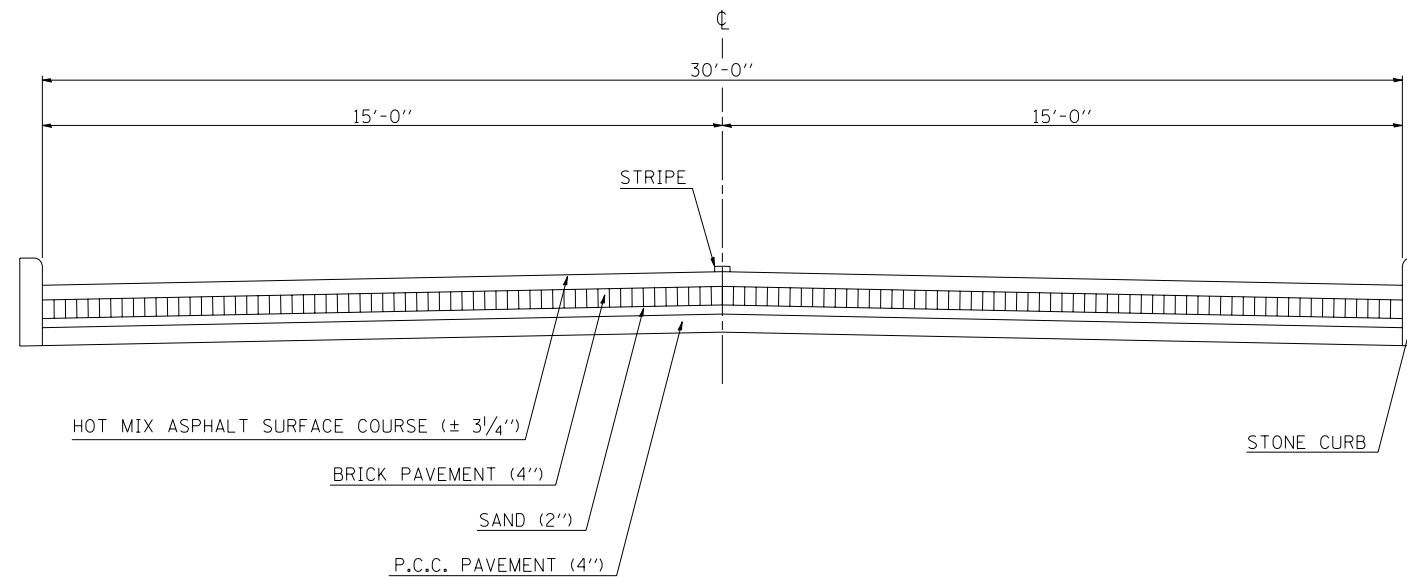


F.A.P. RTE.	SECTION	COUNTY	TOTAL SHEETS	SHEET NO.
730	62RS-2	McLEAN	17	5
STA.		TO STA.		
FED. ROAD DIST. NO.	ILLINOIS	FED. AID PROJECT		

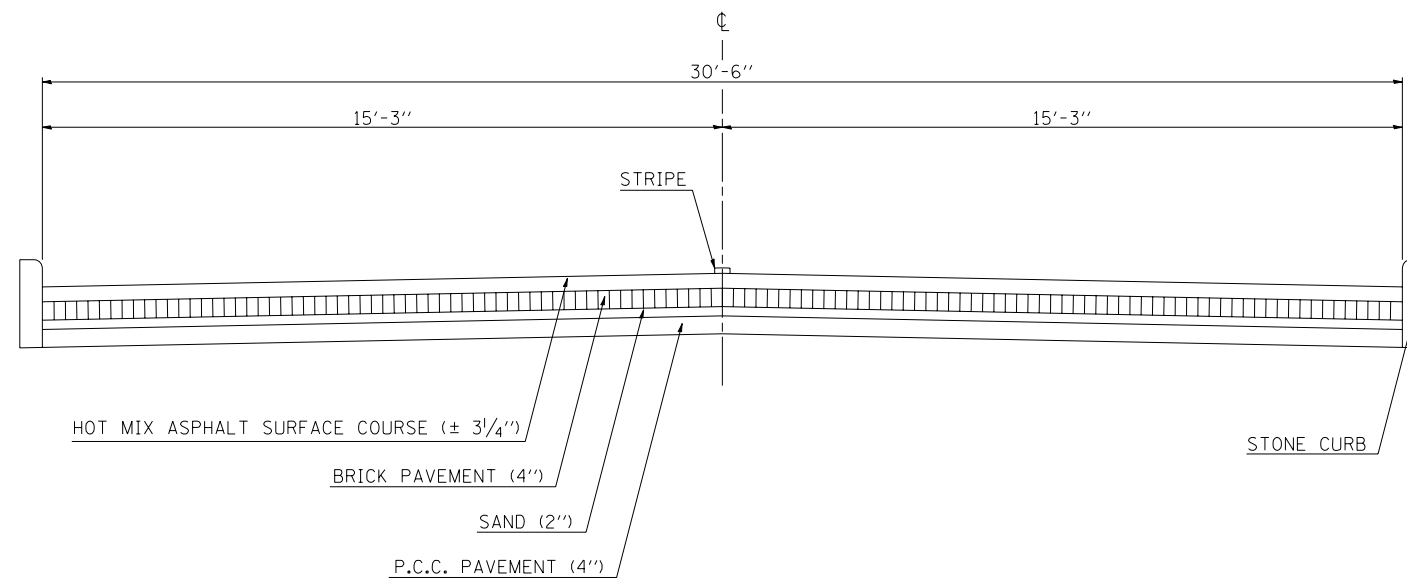
EXISTING TYPICAL CROSS SECTION F.A.P. 730 (U.S. 51 S.B.)

STATION 239+00 TO STATION 241+00



EXISTING TYPICAL CROSS SECTION F.A.P. 730 (U.S. 51 S.B.)

STATION 241+00 TO STATION 248+22.6



PLOT DATE = 3/27/2007
 FILE NAME = c:\projects\view\d01607 (w8)\allsheets.dgn
 PLOT NAME = 623523 / IN.
 USER NAME = pier.somb

ILLINOIS DEPARTMENT OF TRANSPORTATION
EXISTING TYPICAL CROSS SECTIONS
 F.A.P. ROUTE 730 (U.S. 51 S.B.)
 SECTION 62RS-2
 McLEAN COUNTY
 SCALE: NOT TO SCALE DRAWN BY: B.B.P.
 DATE: 03/26/07 CHECKED BY: B.C.S.