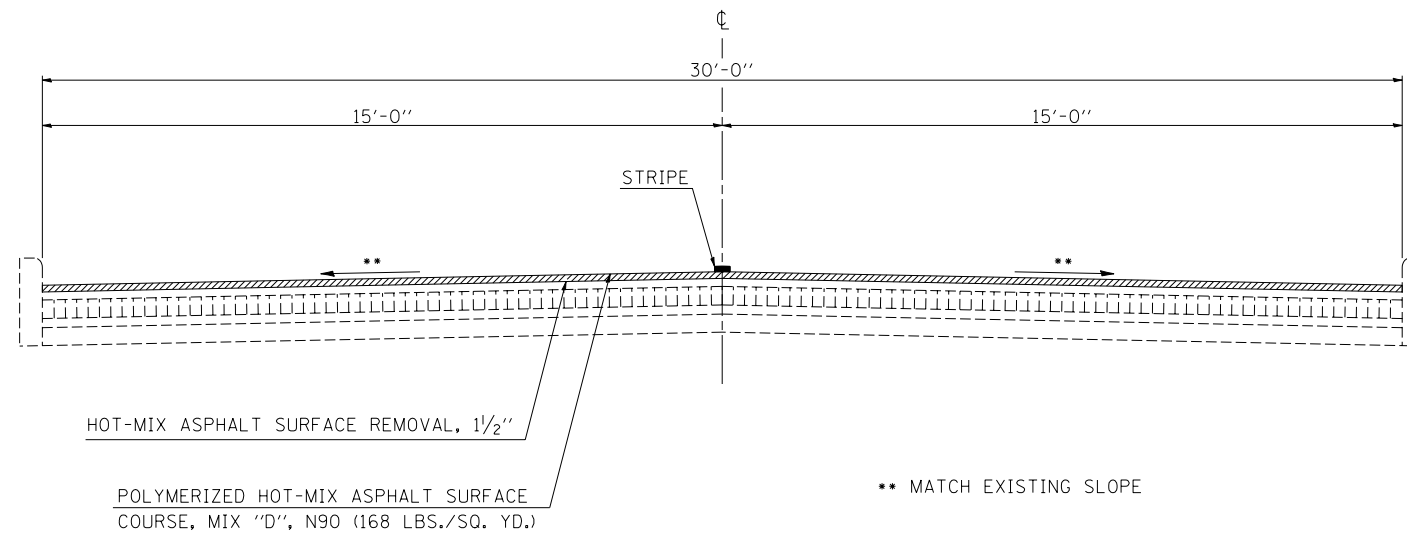


F.A.P. RTE.	SECTION	COUNTY	TOTAL SHEETS	SHEET NO.
730	62RS-2	McLEAN	17	7

STA.	TO STA.
FED. ROAD DIST. NO.	ILLINOIS FED. AID PROJECT

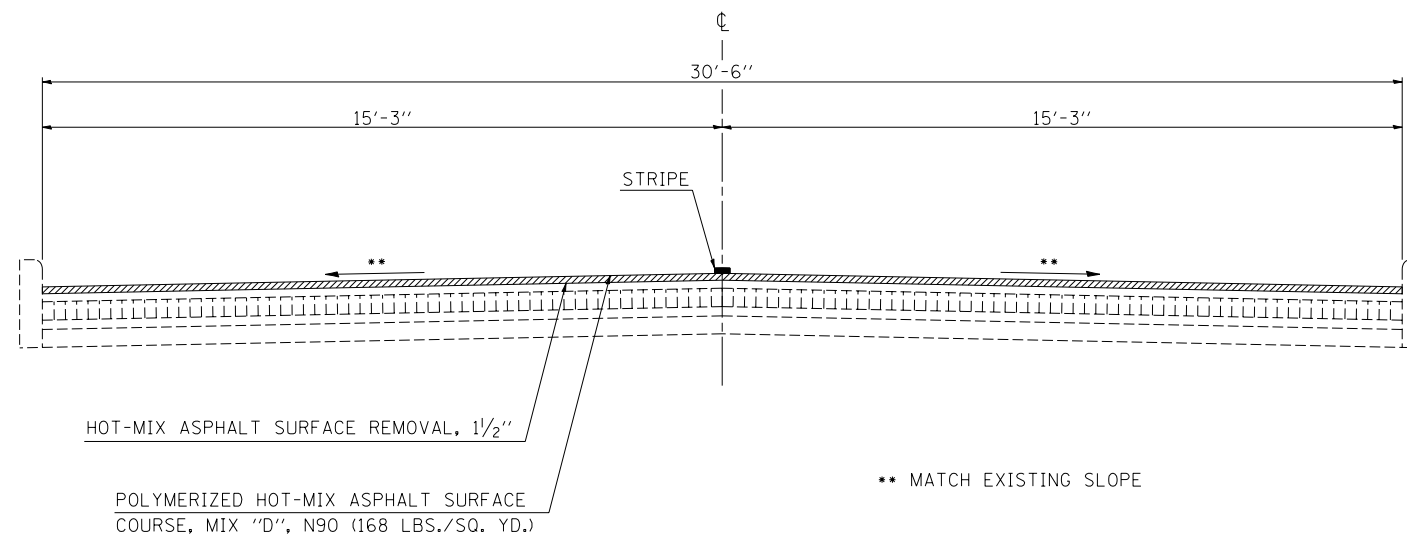
**① PROPOSED TYPICAL CROSS SECTION  
F.A.P. 730 (U.S. 51 S.B.)**

STATION 239+00 TO STATION 241+00 ②



**② PROPOSED TYPICAL CROSS SECTION  
F.A.P. 730 (U.S. 51 S.B.)**

① STATION 241+00 TO STATION 248+22.6 ③



PLOT DATE = 3/27/2007  
 FILE NAME = G:\projects\view\060607\08\01\sheet.dgn  
 USER NAME = pier.somb

ILLINOIS DEPARTMENT OF TRANSPORTATION  
**PROPOSED TYPICAL CROSS SECTIONS**  
 F.A.P. ROUTE 730 (U.S. 51 S.B.)  
 SECTION 62RS-2  
 McLEAN COUNTY  
 SCALE: NOT TO SCALE DRAWN BY: B.B.P.  
 DATE: 03/26/07 CHECKED BY: B.C.S.