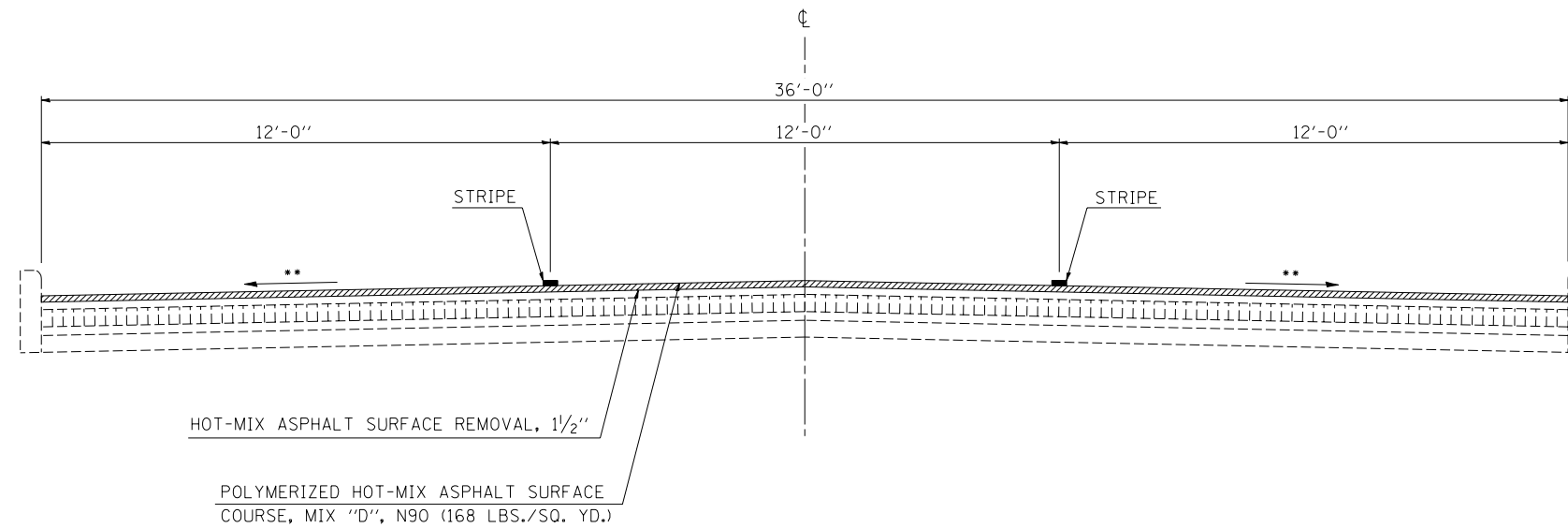


F.A.P. RTE.	SECTION	COUNTY	TOTAL SHEETS	SHEET NO.
730	62RS-2	McLEAN	17	8

STA.	TO STA.
FED. ROAD DIST. NO.	ILLINOIS FED. AID PROJECT

3 PROPOSED TYPICAL CROSS SECTION F.A.P. 730 (U.S. 51 S.B.)

2 STATION 248+22.6 TO STATION 251+57



PLOT DATE = 3/27/2007
 FILE NAME = G:\projects\view\501607 (w8)\allsheets.dgn
 PLOT NAME = 623523 / IN.
 USER NAME = pier.sombir

ILLINOIS DEPARTMENT OF TRANSPORTATION
PROPOSED TYPICAL CROSS SECTIONS

F.A.P. ROUTE 730 (U.S. 51 S.B.)
 SECTION 62RS-2
 McLEAN COUNTY

SCALE: NOT TO SCALE
 DATE: 03/26/07
 DRAWN BY: B.B.P.
 CHECKED BY: B.C.S.