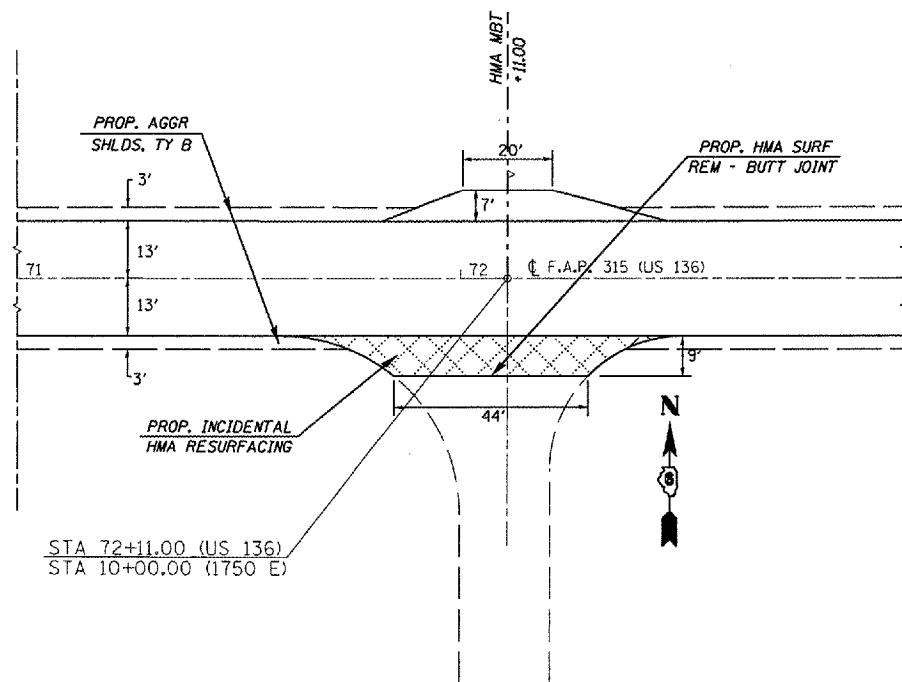
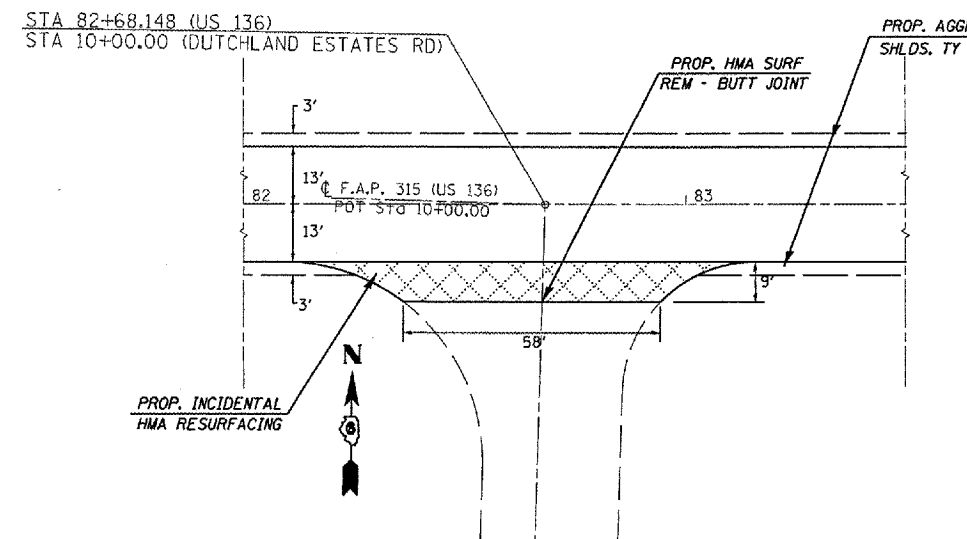


F.A.P. RTE.	SECTION	COUNTY	TOTAL SHEETS	SHEET NO.
315	(1,2)RS-4	MASON	44	28
STA. 71+00.00		TO STA. 99+00.00		
FED. ROAD DIST. NO.	ILLINOIS	FED. AID PROJECT		

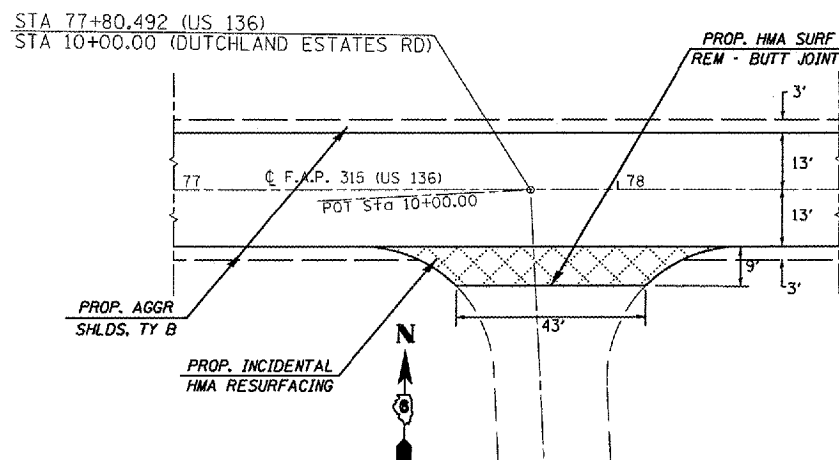
(TR 1750E)



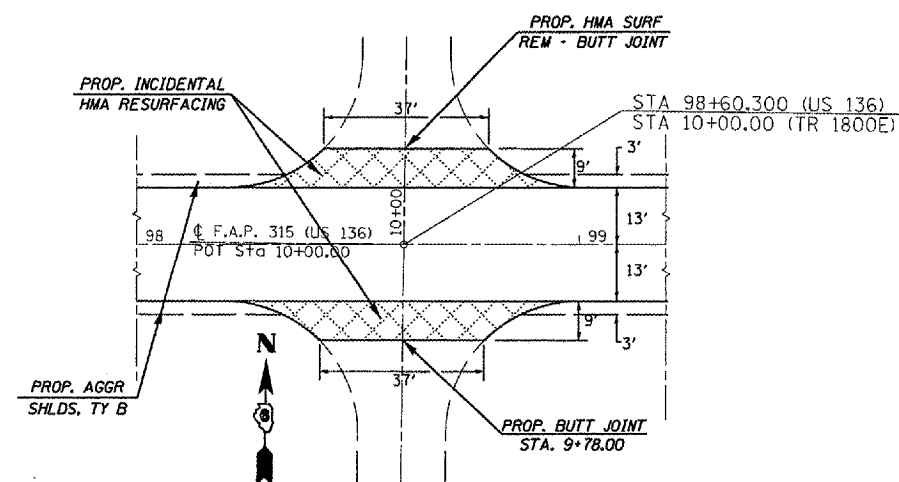
(DUTCHLAND ESTATES RD.)



(DUTCHLAND ESTATES RD.)



(TR 1800E)



REVISIONS	
NAME	DATE

ILLINOIS DEPARTMENT OF TRANSPORTATION

PLAN VIEW
F.A.P. Route 315 (US 136)
Section (1,2)RS-4
MASON COUNTY

SCALE: VERT.
HORIZ.
DATE: MARCH 1, 2007

DRAWN BY: JWC
CHECKED BY: RSC

PLOT DATE = 3/22/2007
PLOT SCALE = 1/8" = 1'-0"
USER NAME = cawjw