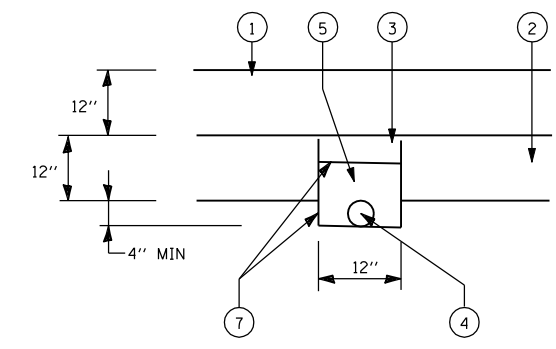
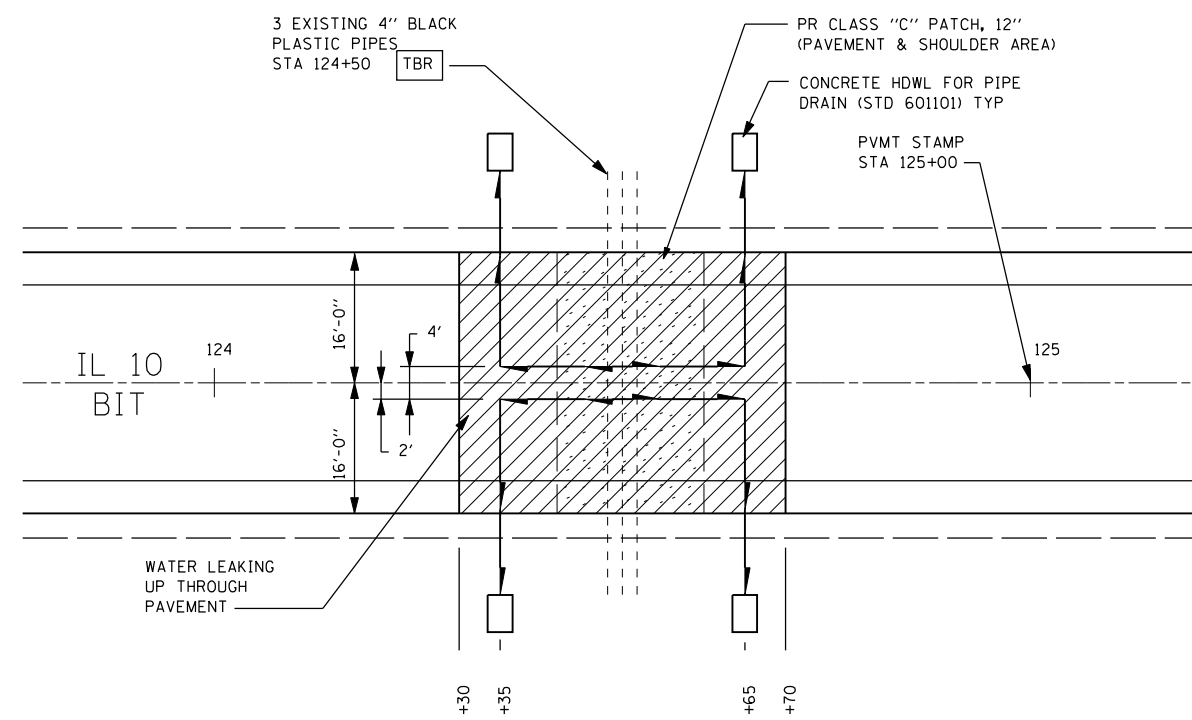
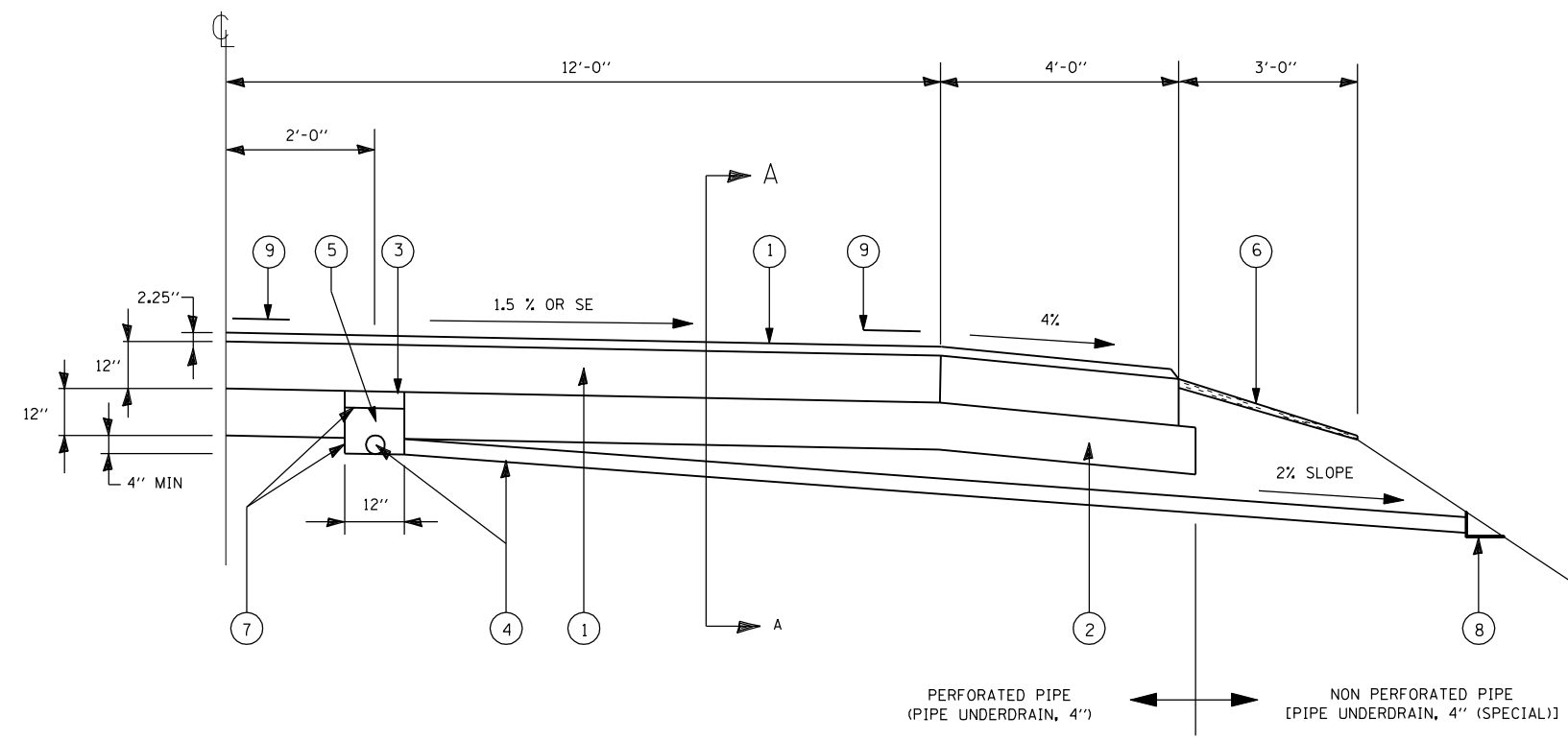


F.A.P. RTE.	SECTION	COUNTY	TOTAL SHEETS	SHEET NO.
717	109 (RS-3)	LOGAN	31	29
STA. 57+64.50		TO STA. 631+30.00		
FED. ROAD DIST. NO. 6		ILLINOIS	FED. AID PROJECT	

CONTRACT NO. 72825



SECTION A-A



GENERAL NOTES

DRAIN MATERIAL AND CONSTRUCTION SHALL CONFORM TO SECTION 601 OF THE STANDARD SPECIFICATIONS EXCEPT THAT NO FABRIC ENVELOPE IS REQUIRED ON PERFORATED PIPE AND THE GRANULAR BACKFILL AND CRUSHED STONE SHALL BE CA 16

GEOTECHNICAL FABRIC SHALL BE NON-WOVEN NEEDLE PUNCHED MATERIAL.

BACKFILL MATERIAL WILL NOT BE MEASURED SEPARATELY, BUT WILL BE INCLUDED IN THE COST PER UNIT FOR THE PAY ITEM PIPE DRAINS 4'.

- ① PROPOSED CLASS "C" PATCH, 12"
- ② PROPOSED SUB-BASE GRANULAR MATERIAL, TYPE A, 12"
- ③ PROPOSED GRANULAR BACKFILL (CA 16)
- ④ PROPOSED 4" PERFORATED PIPE UNDERDRAIN
- ⑤ PROPOSED GRAVEL OR CRUSHED ROCK STONE (CA 16)
- ⑥ PROPOSED AGGREGATE SHOULDER TYPE B
- ⑦ PROPOSED GEOTECHNICAL FABRIC FOR FRENCH DRAINS
- ⑧ PROPOSED CONCRETE HEADWALL FOR PIPE DRAIN (STD. 601101)
- ⑨ PROPOSED PAINT PAVEMENT MARKING LINE - 5"

REVISIONS	
NAME	DATE
TMJ	03-07

ILLINOIS DEPARTMENT OF TRANSPORTATION

DRAINAGE DETAILS

FAP ROUTE 717 (IL 10)
SECTION 109 (RS-3)
LOGAN COUNTY

SCALE: NONE
DATE: AUG 2004

DRAWN BY: MLH
CHECKED BY: LDB

G:\PROG\CIVIL\G13303.74\DCN\DRAINAGE DETAILS