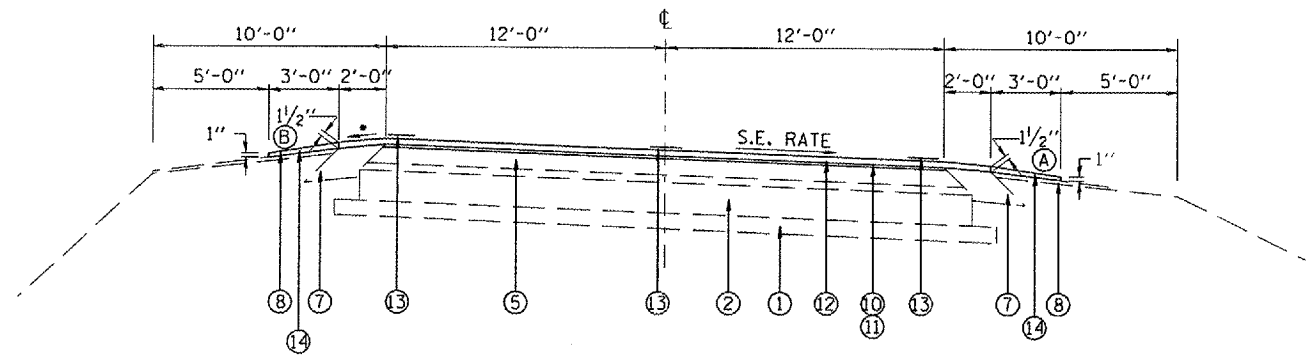
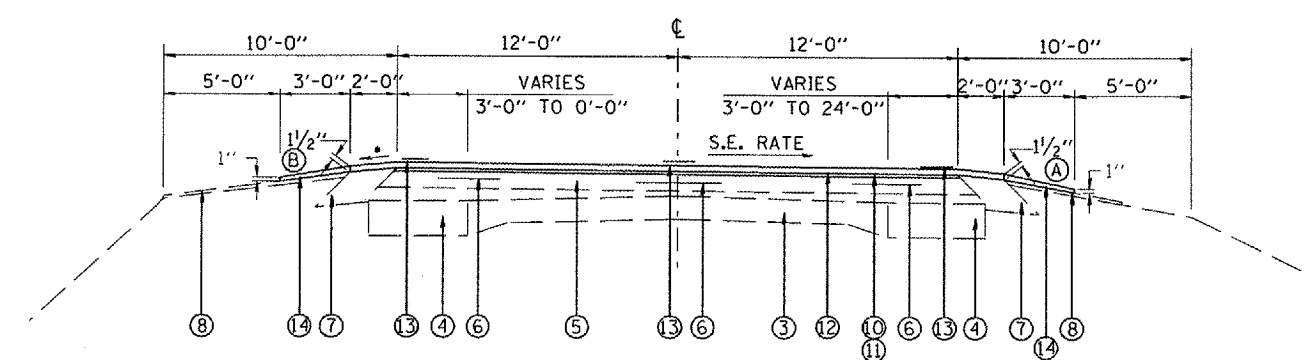


F.A.P. RTE.	SECTION	COUNTY	TOTAL SHEETS	SHEET NO.
317	(9,10,11) RS-3	SCHUYLER	23	11
STA.	TO STA.			
FED. ROAD DIST. NO.	ILLINOIS	FED. AID PROJECT		

CONTRACT 72838



STA. 197+98.1 TO 229+78  
STA. 357+90.89 TO 387+00



STA. 192+82.87 TO 197+98.1  
STA. 229+78 TO 235+49.57  
STA. 284+74.95 TO 292+07.11

- ① EXISTING AGGREGATE SUB-BASE 4"
- ② EXISTING P.C.C. BASE COURSE 8"
- ③ EXISTING P.C.C. PAVEMENT
- ④ EXISTING P.C.C. BASE COURSE WIDENING 9"
- ⑤ EXISTING HOT-MIX ASPHALT PAVEMENT 3" ±
- ⑥ EXISTING STRIP REFLECTIVE CRACK CONTROL SPECIAL
- ⑦ EXISTING BITUMINOUS SHOULDER 8"
- ⑧ EXISTING AGGREGATE SHOULDER TYPE A
- ⑨ EXISTING CONCRETE GUTTER
- ⑩ PROPOSED HOT-MIX ASPHALT SURFACE REMOVAL - VARIABLE DEPTH
- ⑪ PROPOSED HOT-MIX ASPHALT LEVELING BINDER, 3/4"
- ⑫ PROPOSED HOT-MIX ASPHALT SURFACE COURSE, 1 1/2"
- ⑬ PROPOSED PAVEMENT MARKING
- ⑭ PROPOSED AGGREGATE SHOULDER

NOTES FOR SHOULDER SLOPES:  
 (A) LOW SIDE OF SE: THE SHOULDER SLOPE SHALL BE THE SAME AS SE RATE BUT NOT LESS THAN 4.0%.  
 (B) HIGH SIDE OF SE: WHEN THE SE RATE OF THE PAVEMENT IS BETWEEN 0.0% AND 4.0% THE SHOULDER SHALL BE 4.0%. WHEN THE RATE OF THE PAVEMENT EXCEEDS 4.0% THE SHOULDER SHALL BE SLOPED SO THAT THE ALGEBRAIC DIFFERENCE BETWEEN PAVEMENT AND SHOULDER SLOPES WILL NOT BE GREATER THAN 8.0%.

REVISIONS		ILLINOIS DEPARTMENT OF TRANSPORTATION
NAME	DATE	
		<b>TYPICAL SECTIONS</b> F. A. P. ROUTE 317 (US 24) SECTION (9, 10, 11) RS-3 SCHUYLER COUNTY  SCALE: NONE DATE: NOV, 2003
DRAWN BY AGG		CHECKED BY MJS