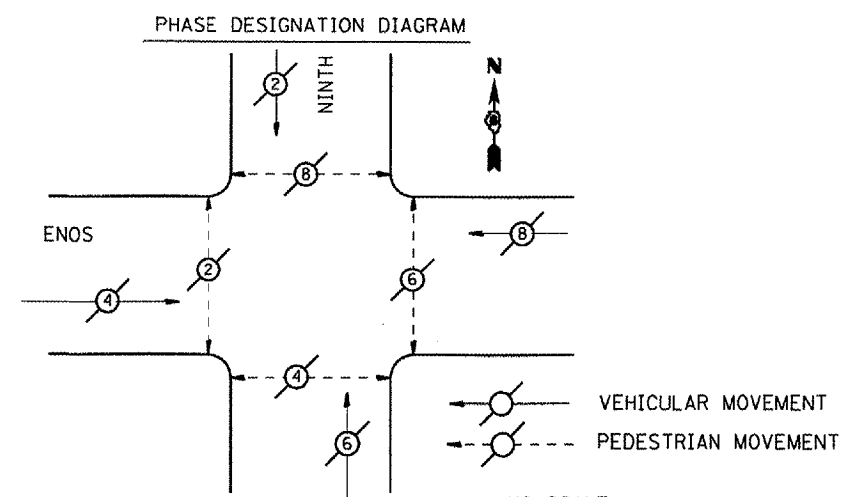
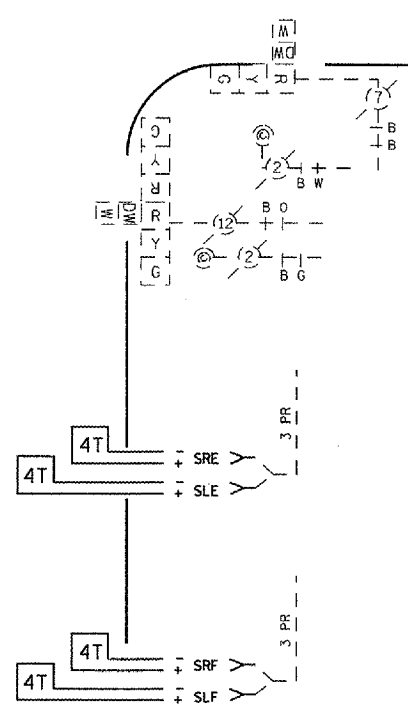
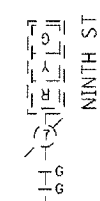
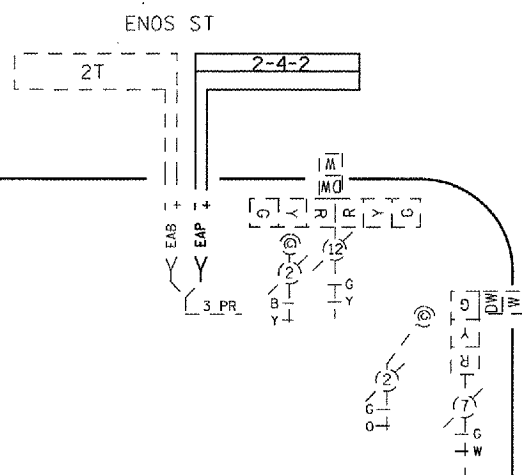
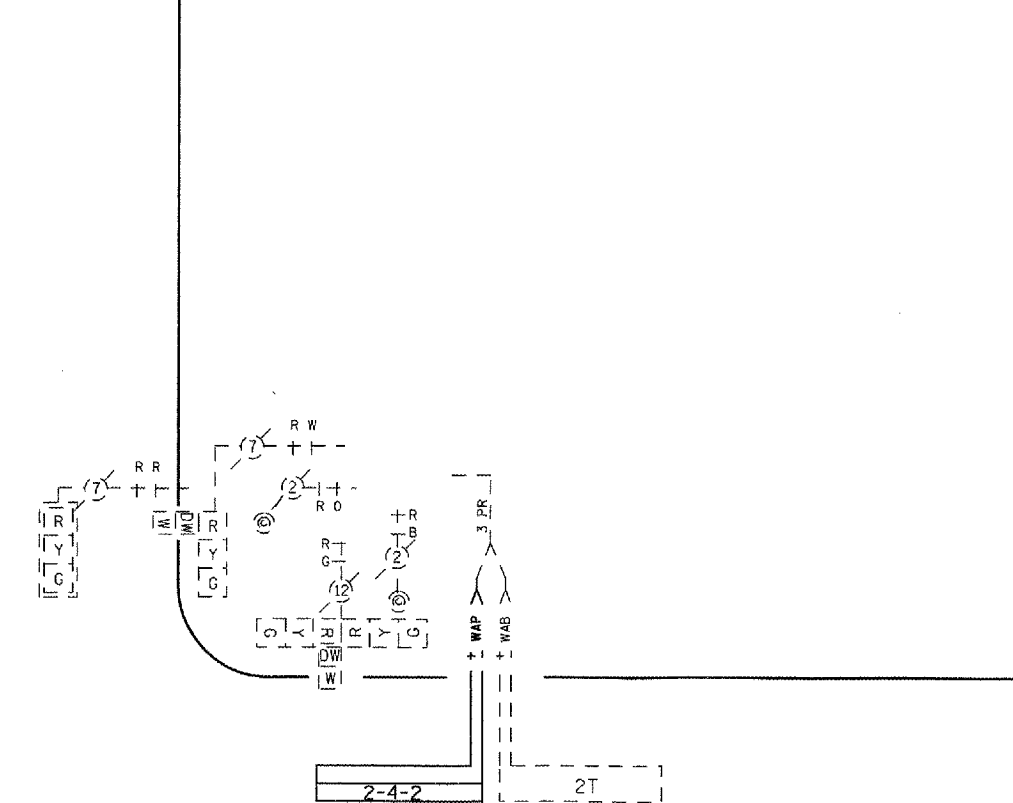
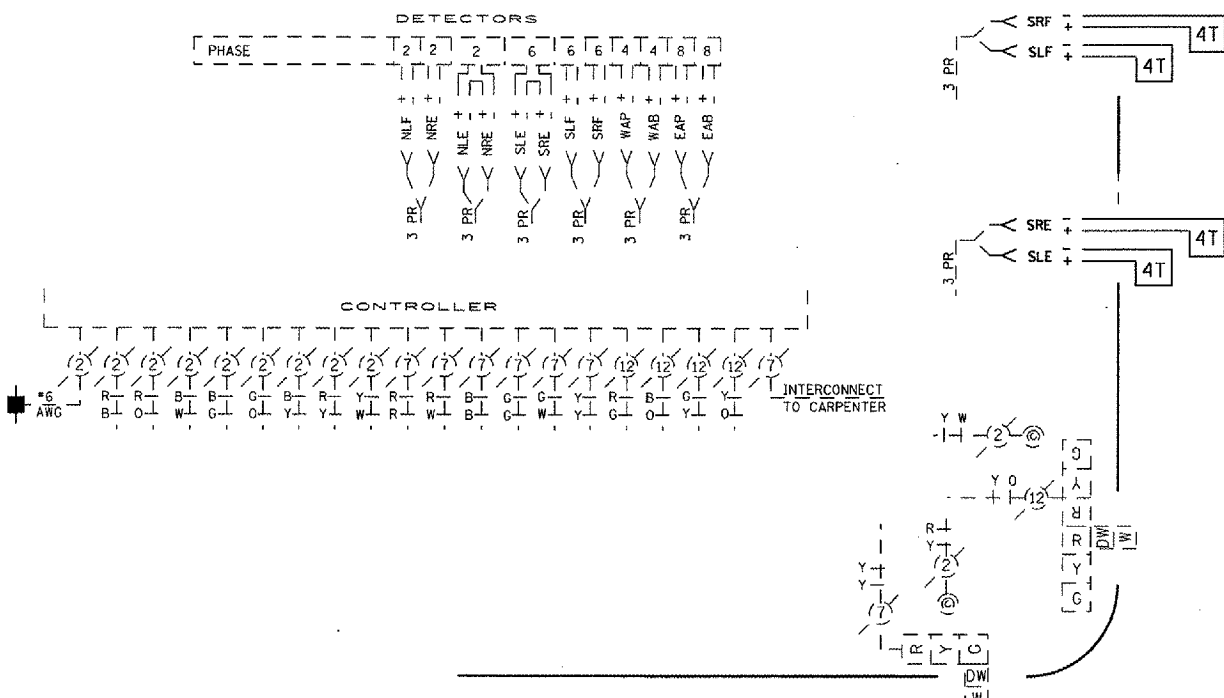


F.A.P. RTE.	SECTION	COUNTY	TOTAL SHEETS	SHEET NO.
666	SP-Z, RS-4	SANGAMON	80	63
STA.		TO STA.		
FED. ROAD DIST. NO.	ILLINOIS	FED. AID PROJECT		



NO SCALE

REVISIONS	
NAME	DATE

ILLINOIS DEPARTMENT OF TRANSPORTATION
TRAFFIC SIGNAL PLAN
 FAP ROUTE 666 (I-55 BUS/9TH STREET)
 NINTH STREET AT ENOS STREET

SCALE: VERT. _____
 HORIZ. _____
 DATE _____ DRAWN BY _____
 CHECKED BY _____

PLOT DATE = #DAYS
 FILE NAME = #FILE#
 PLOT SCALE = #SCALE#
 USER NAME = #USER#