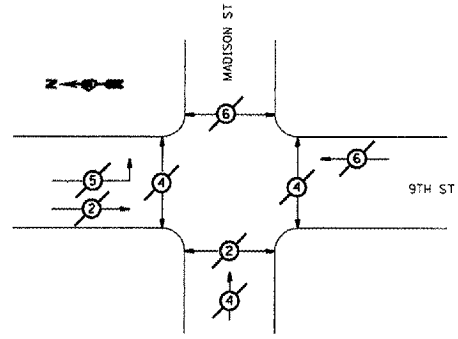


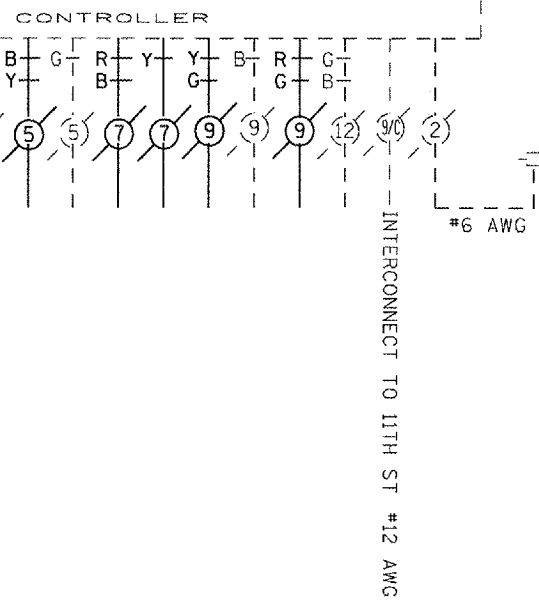
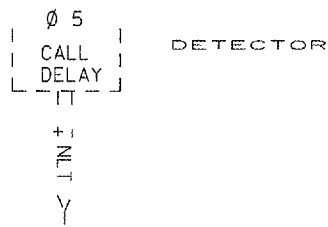
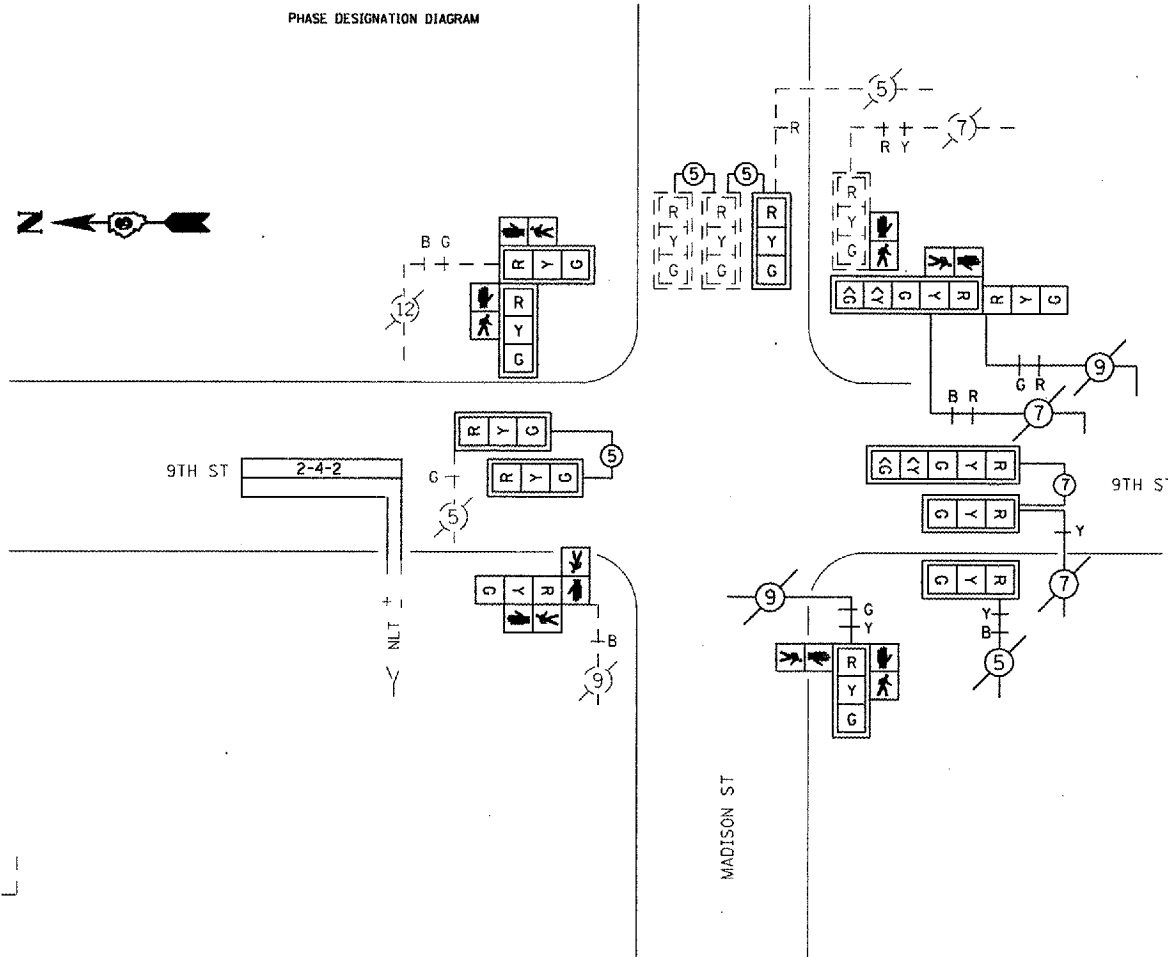
F.A.P. RTE.	SECTION	COUNTY	TOTAL SHEETS	SHEET NO.
666	SP-2, RS-4	SANGAMON	80	67
STA.		TO STA.		
FED. ROAD DIST. NO.	ILLINOIS	FED. AID PROJECT		



PHASE DESIGNATION DIAGRAM

REMOVE EXISTING TRAFFIC SIGNAL EQUIPMENT SHALL CONSIST OF:

SIGNAL HEAD ASSEMBLY	EACH	12
MAST ARM ASSEMBLY	EACH	1
TRAFFIC SIGNAL POST	EACH	1



REVISIONS	
NAME	DATE

ILLINOIS DEPARTMENT OF TRANSPORTATION  
**TRAFFIC SIGNAL PLAN**  
 FAP ROUTE 666 (I-55 BUS/9TH STREET)  
 NINTH STREET AT MADISON STREET

SCALE: VERT. \_\_\_\_\_  
 HORIZ. \_\_\_\_\_  
 DATE \_\_\_\_\_ DRAWN BY \_\_\_\_\_  
 CHECKED BY \_\_\_\_\_

PLT. DATE = \*DATE\*  
 FILE NAME = \*FILE\*  
 PLOT SCALE = \*SCALE\*  
 USER NAME = \*USER\*

\$\$SUBS