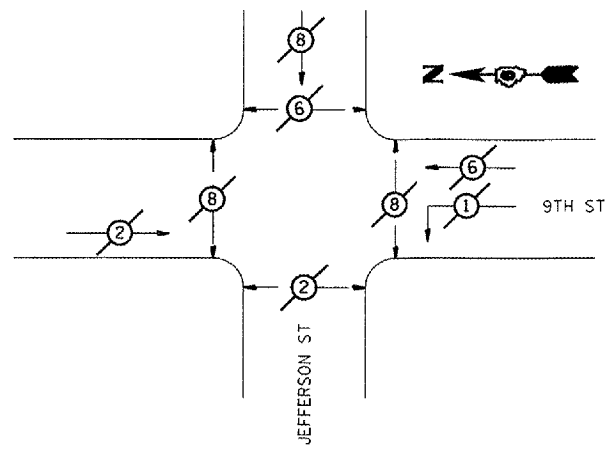
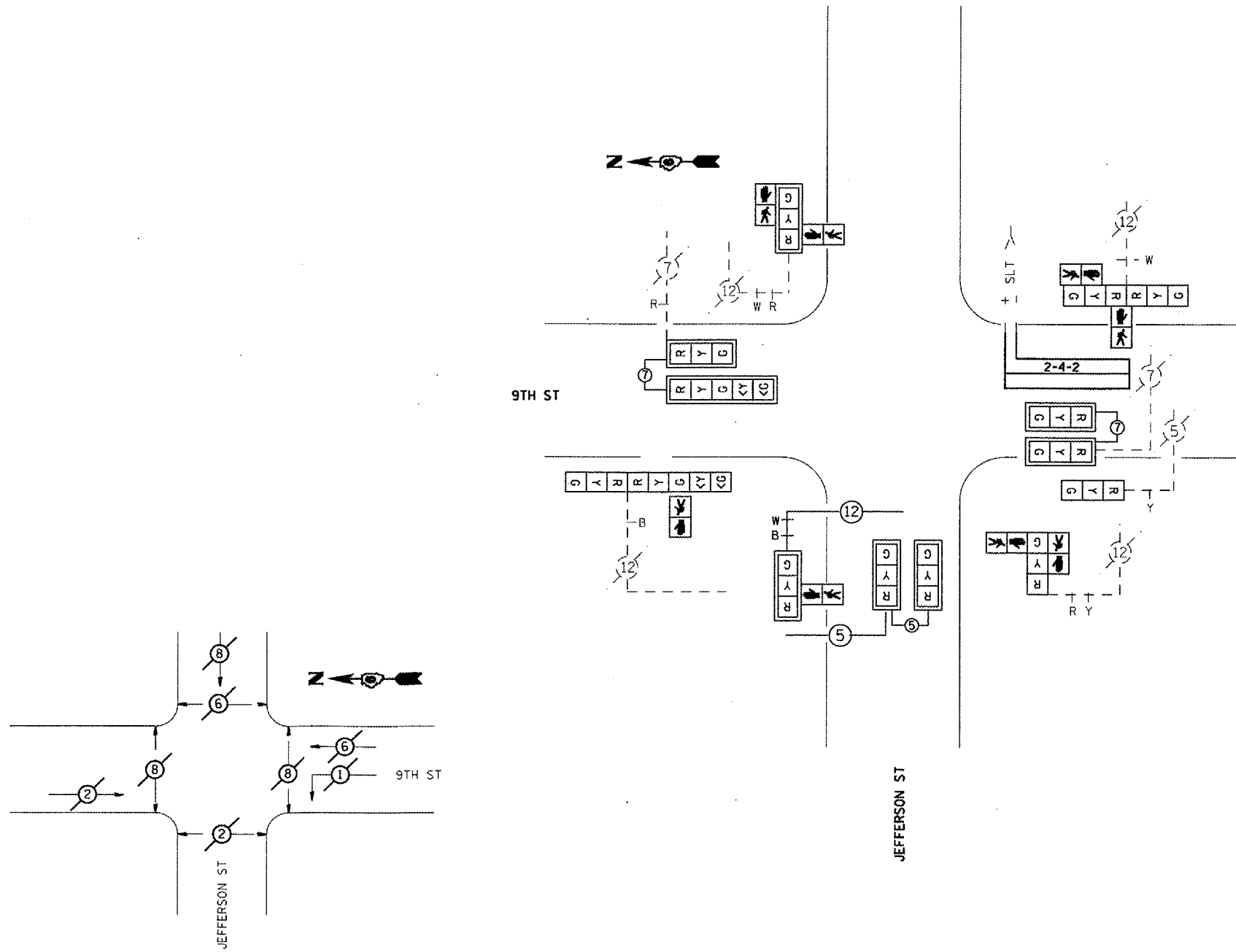


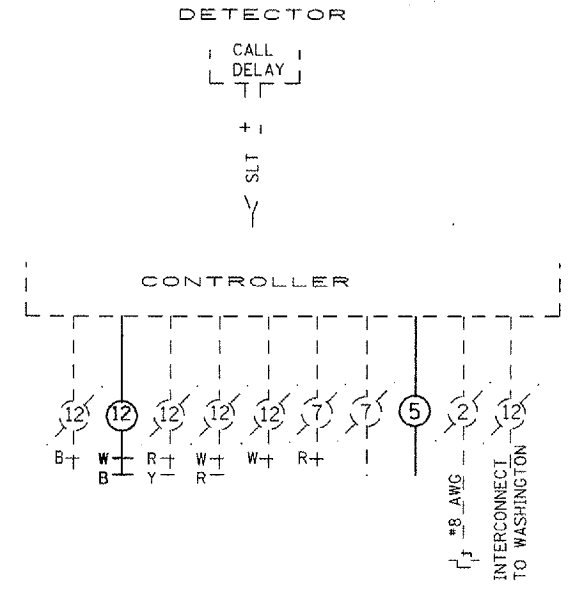
F.A.P. RTE.	SECTION	COUNTY	TOTAL SHEETS	SHEET NO.
666	SP-Z, RS-4	SANGAMON	80	69
STA.		TO STA.		
FED. ROAD DIST. NO.	ILLINOIS FED. AID PROJECT			

REMOVE EXISTING TRAFFIC SIGNAL EQUIPMENT SHALL CONSIST OF:

SIGNAL HEAD ASSEMBLY	EACH	14
MAST ARM ASSEMBLY	EACH	2



PHASE DESIGNATION DIAGRAM



REVISIONS	
NAME	DATE

ILLINOIS DEPARTMENT OF TRANSPORTATION  
**TRAFFIC SIGNAL PLAN**  
 FAP ROUTE 666 (I-55 BUS/9TH STREET)  
 NINTH STREET AT JEFFERSON STREET

SCALE: VERT. \_\_\_\_\_  
 HORIZ. \_\_\_\_\_  
 DATE \_\_\_\_\_ DRAWN BY \_\_\_\_\_  
 CHECKED BY \_\_\_\_\_

PLOT DATE = DATE\*  
 FILE NAME = FILE\*  
 PLOT SCALE = SCALE\*  
 USER NAME = USER\*