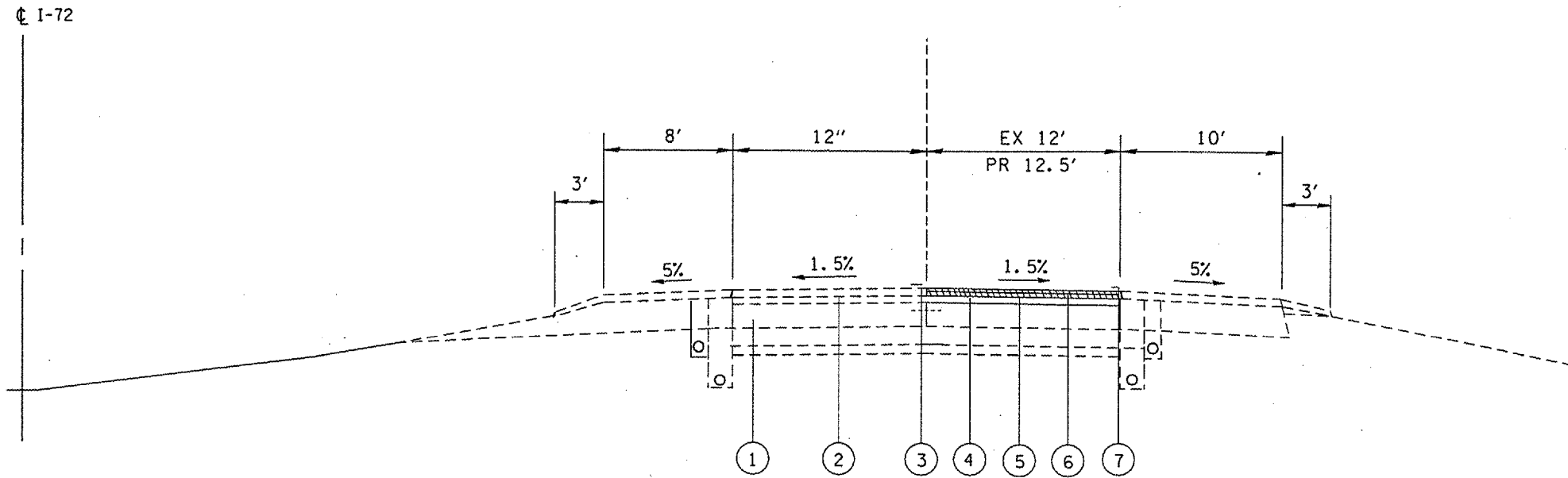


F.A. RTE.	SECTION	COUNTY	TOTAL SHEETS	SHEET NO.
*	**	***	15	12
STA. _____		TO STA. _____		
FED. ROAD DIST. NO. _____ ILLINOIS FED. AID PROJECT				

- * - FAI 55, FAI 72, FAI 155, FAI 172, FAP 302 (IL 336), FAP 310 (US 67), FAP 75 (IL 29), FAP 745 (IL 104)
- ** - D-6 SHOULDER RUMBLE STRIPS 2007
- *** - ADAMS, HANCOCK, LOGAN, MACOUPIN, MONTGOMERY, MORGAN, PIKE, SANGAMON & SCOTT



E.A.I. 72 EASTBOUND
STA 189+145 TO 191+820

LEGEND

1. EX 9" CRPCC PVT
2. EX 3 1/4 " BIT SURF
3. PR PREF PL PM TB LINE 5"
4. PR BIT SURF REMOVAL
5. PR POLY HMA BINDER CRSE, IL-19.0, N105 1 3/4"
6. PR POLY HMA SURFACE CRSE, MIX "D", N105 1 1/2"
7. PR POLYUREA PVT MK. TY 2 - LINE 5"

PLOT DATE = 3/23/2007
 FILE NAME = shttyp1cals.dgn
 USER NAME = mrschm

REVISIONS	
NAME	DATE

ILLINOIS DEPARTMENT OF TRANSPORTATION
TYPICAL SECTIONS
 FAI 55, FAI 72, FAI 155, FAI 172, IL 336, US 67
 IL 29, IL 104
 SECTION D-6 SHOULDER RUMBLE STRIPS 2007
 VARIOUS COUNTIES

SCALE: VERT. _____
 HORIZ. _____

DATE _____ DRAWN BY _____
 CHECKED BY _____