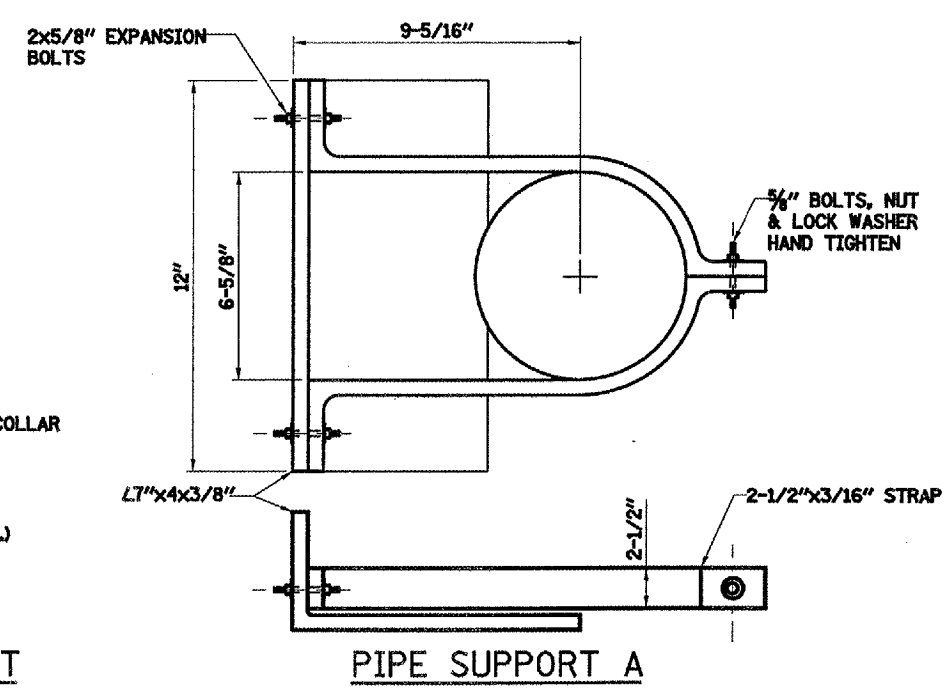
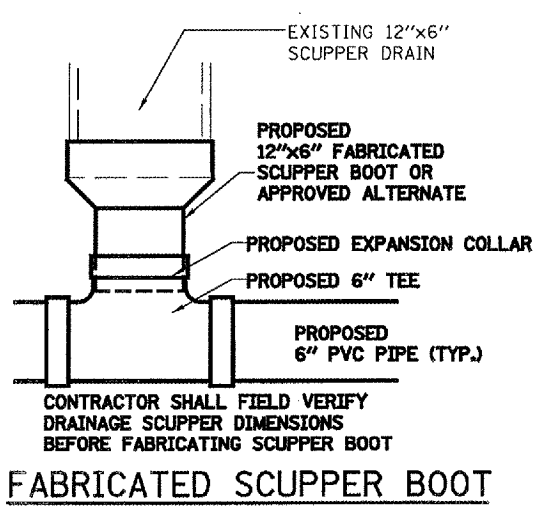
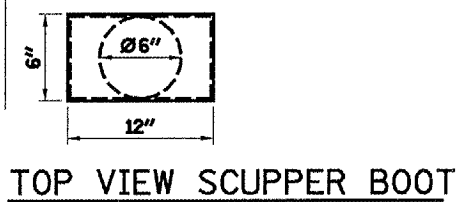
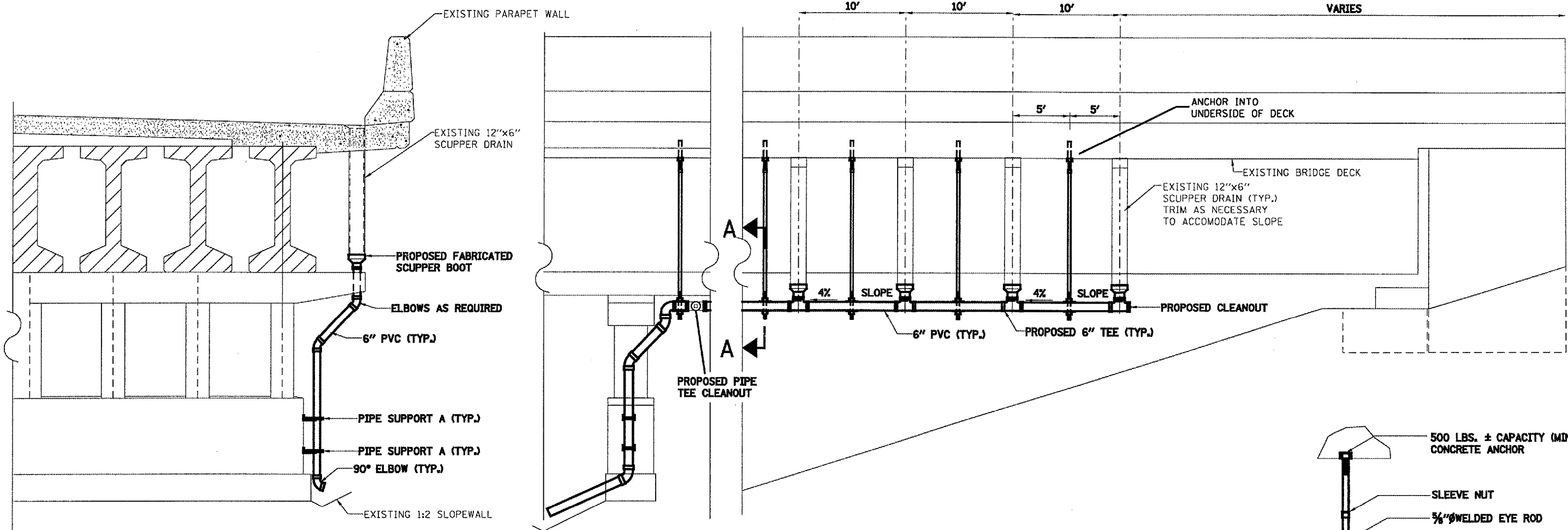


F.A. RTE.	SECTION	COUNTY	TOTAL SHEETS	SHEET NO.
172	11-6VB11-1	ADAMS	9	9
STA.		TO STA.		
FED. ROAD DIST. NO.		ILLINOIS FED. AID PROJECT		
CONTRACT NO. 72B12				



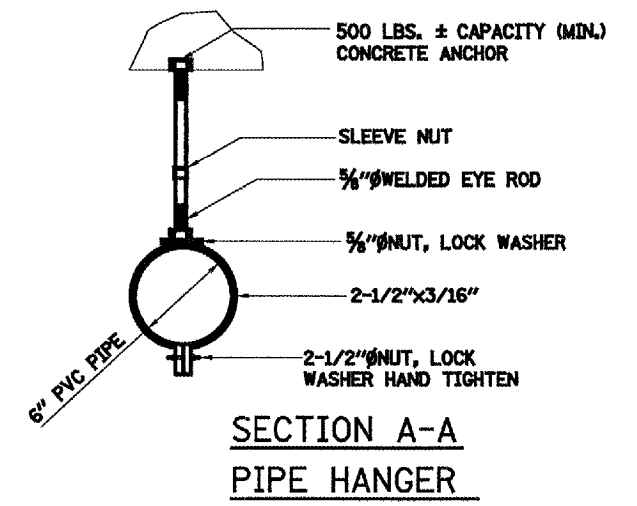
**NOTES:**

ALL PIPE HANGERS, SUPPORTS AND HARDWARE SHALL BE GALVANIZED BY THE HOT-DIP PROCESS. THE ZINC COATING SHALL CONFORM TO THE REQUIREMENTS OF AASHTO M232.

PIPE HANGERS SHALL BE PROVIDED ON ALL HORIZONTAL PIPES AT EACH TEE, ELBOW, OR CHANGE IN DIRECTION AND AT THE INTERMEDIATE POINTS NOT MORE THAN 10'-0" ON CENTERS.

THE CONTRACTOR MAY USE ALTERNATE PIPE HANGERS. THE PIPE HANGERS SHALL HAVE A LOAD CAPACITY OF NOT LESS THAN 500 LBS. AND SHALL BE DESIGNED SO AS NOT TO APPLY EXCESSIVE COMPRESSIVE STRESS TO THE PIPE. ALTERNATE PIPE HANGER DESIGNS MUST BE APPROVED BY THE ENGINEER PRIOR TO USE.

IF ADDITIONAL SUPPORT IS DEEMED NECESSARY, IT SHALL BE AFFIXED TO THE UNDERSIDE OF THE DECK, UNDERSIDE OF THE PIER CAP, OR FACE OF THE CRASHWALL. NO DRILLING INTO PPC I-BEAMS OR PIER COLUMNS WILL BE ALLOWED.



REVISIONS	
NAME	DATE

ILLINOIS DEPARTMENT OF TRANSPORTATION  
**FAI 172 OVER BNRR CLOSED DRAINAGE SYSTEM DETAIL**

F.A.I. 172  
 SECTION 11-6VB11-1  
 SH 001-0050 & 001-0051  
 ADAMS COUNTY

SCALE: VERT. \_\_\_\_\_  
 HORIZ. \_\_\_\_\_  
 DATE 11/02/2004

DRAWN BY JMS  
 CHECKED BY LLG

DATE \_\_\_\_\_  
 SCALE \_\_\_\_\_  
 REFERENCE \_\_\_\_\_