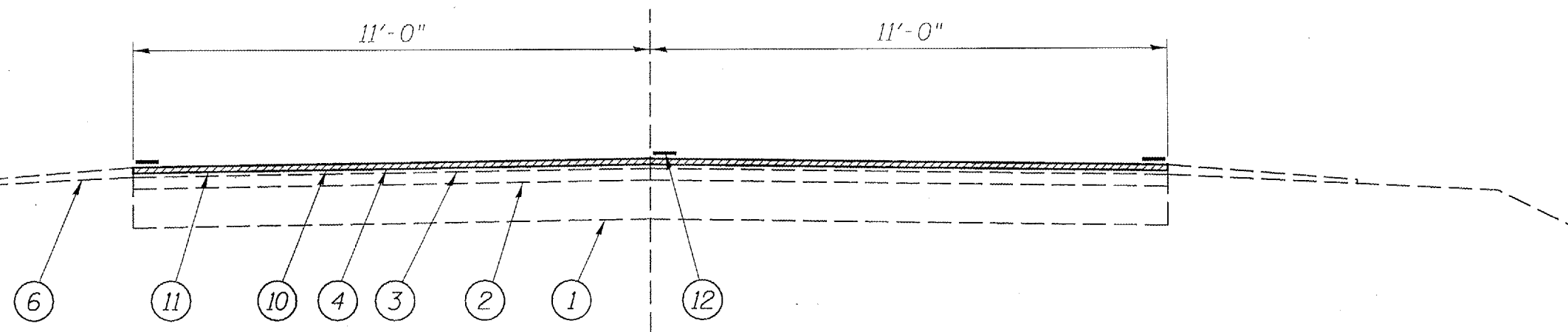


STA. 1306+99 TO 1307+44  
STA. 1316+42 TO 1323+72  
STA. 1327+12 TO 1334+96  
STA. 1340+29 TO 1348+29

BRIDGE OMMISION  
STA. 1334+96 TO 1340+29



STA. 1323+72 TO 1327+12

LEGEND

- 1 - EXIST. CRUSHED STONE BASE ±10"
- 2 - EXIST. H.M.A. SURFACE VARIABLE DEPTH
- 3 - EXIST. H.M.A. LEVELING BINDER VARIABLE DEPTH
- 4 - EXIST. H.M.A. SURFACE 1 1/2"
- 5 - EXIST. BASE COURSE WIDENING
- 6 - EXIST. AGGREGATE SHOULDERS
- 7 - EXIST. P.C.C. BASE COURSE WIDENING
- 8 - EXIST. COCRETE CURB, TYPE B SPECIAL
- 9 - EXIST. CONCRETE GUTTER, TYPE C
- 10 - PROP. H.M.A. SURFACE REMOVAL 1 1/2"
- 11 - PROP. H.M.A. SURFACE COURSE, MIX C, N50 1 1/2"
- 12 - PROP. PAINT PAVMENT MARKING - LINE 5"

Rev.

**TYPICAL SECTIONS**  
FAP 304 (IL 96)  
SECTION 4RS-4  
PIKE COUNTY